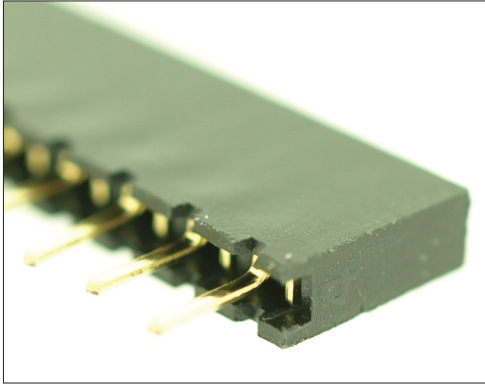
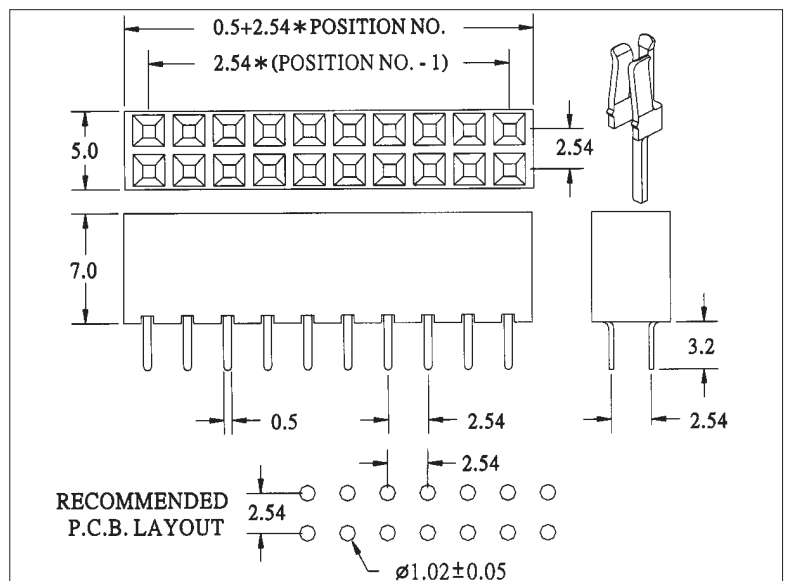
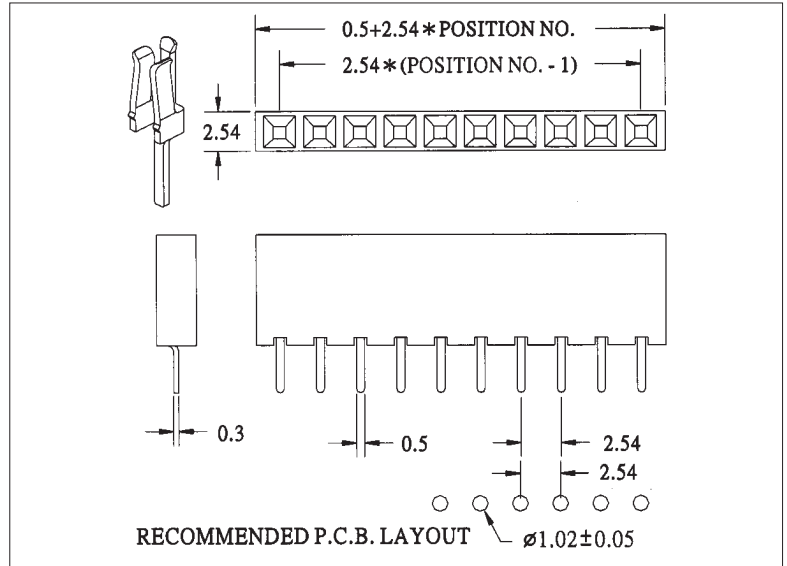


## 2.54mm Pitch Through Board Single & Dual Row 7.00mm Profile PCB Socket B26-YxXX-BG1-G Series

Single & dual row versions - 7.00mm PCB profile  
Gold plated 3 finger type contacts and 3.2mm PCB tails  
Mates with most Valcon 2.54mm pitch PCB Headers



Single Row



Dual Row

### Ordering Information

**B26 - Y x XX-BG1-G**

1 2

<b>Option 1 (Y)</b>	Number of rows 1 = Single row 2 = Dual row
<b>Option 2 (XX)</b>	Number of contacts Single - 01 (1x01) to 40 (1x40) Dual - 04 (2x02) to 80 (2x40)

### Specification for B26-YxXX-BG 1-G Series

Insulator Material:	Black PBT UL94V-0
Contact Material:	Phosphor Bronze 3 finger type
Contact Plating:	Gold flash plated contacts
PCB Contact Plating:	Gold flash
Current Rating:	1 Amp
DWV:	500V AC for 1 minute
Insulation Resistance:	3000 M $\Omega$ min.
Contact Resistance:	30 m $\Omega$ Max.
Operating Temperature:	-40°C to +105°C