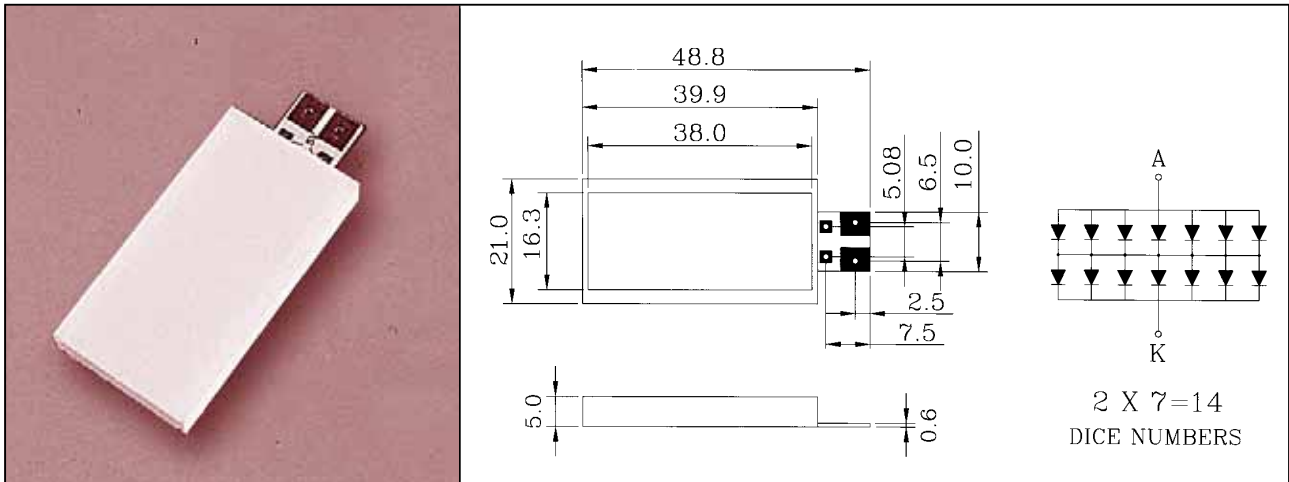
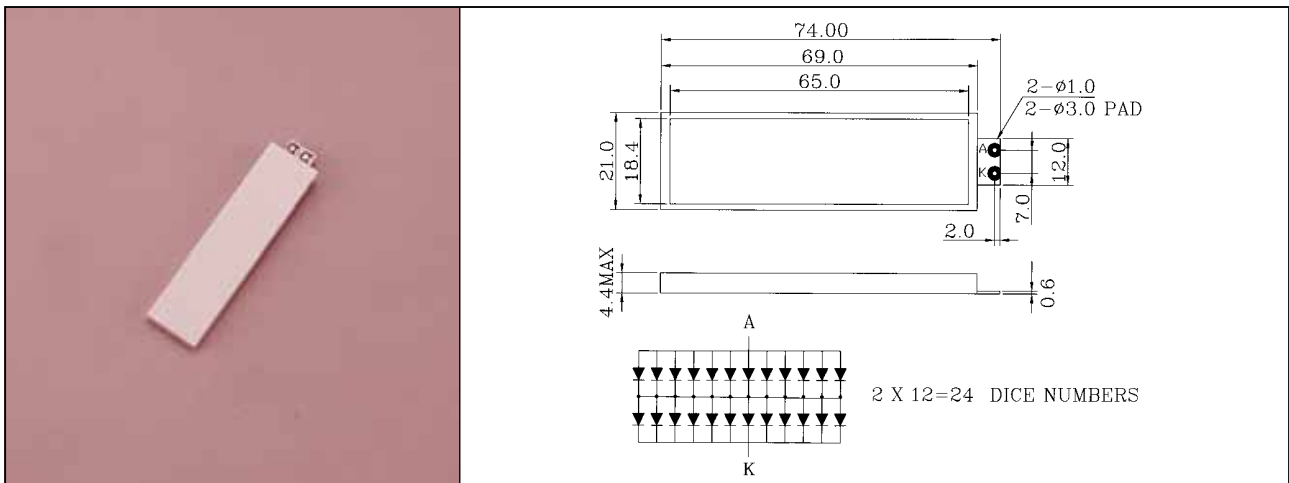


K- 01401GX LCD BACK LIGHT, COB TYPE, LCD CHARACTER 8×2



Part No.	Luminous Area (mm)	Chip		Wave Length λ_p (nm)	Electro-Optical Characteristics		
		Raw Material	Emitted Color		Input Current	I_v (cd/m ²) Typ.	V_f (V) Typ.
K-01401GX	16.3×38.0 mm	GaP	Yellow Green	570	$I_F=70$ mA	150	4.2

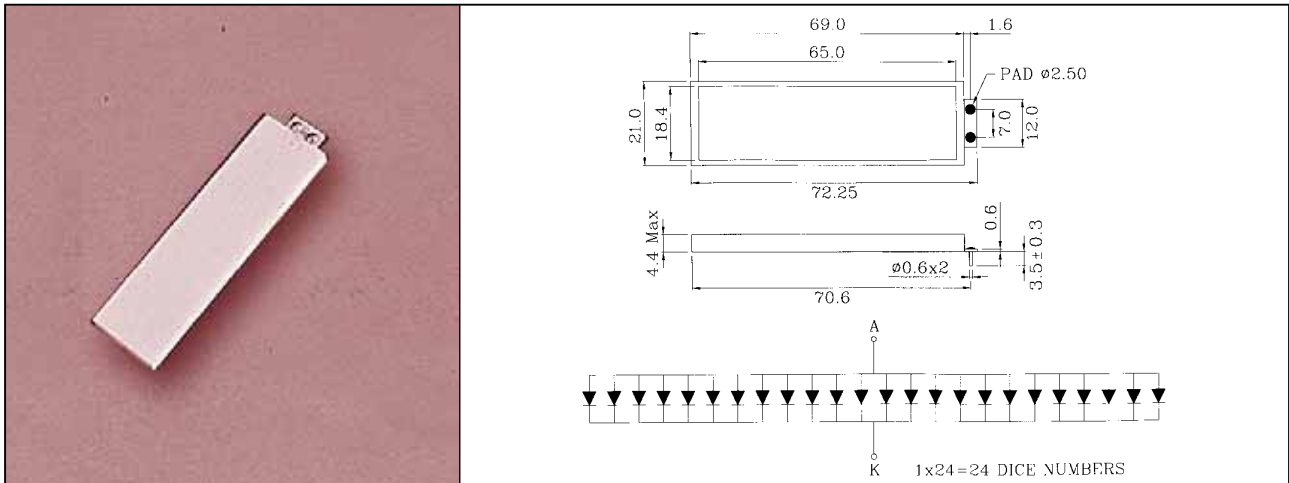
K- 02416GX LCD BACK LIGHT, COB TYPE, LCD CHARACTER 16×2



Part No.	Luminous Area (mm)	Chip		Wave Length λ_p (nm)	Electro-Optical Characteristics		
		Raw Material	Emitted Color		Input Current	I_v (cd/m ²) Typ.	V_f (V) Typ.
K-02416GX	18.4×65.0 mm	GaP	Yellow Green	570	$I_F=120$ mA	110	4.2

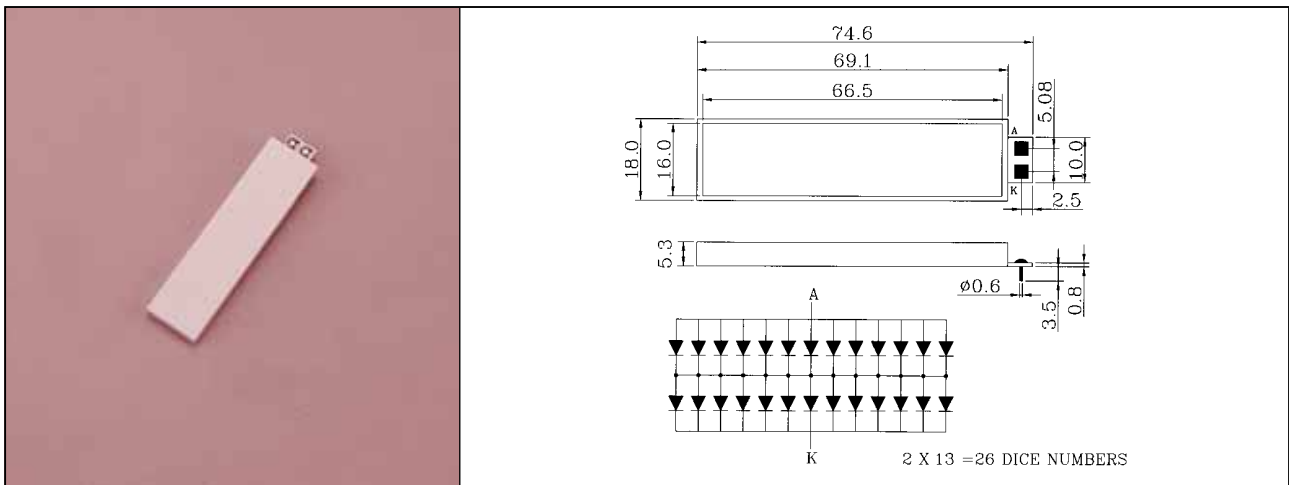
- 1.All dimension are in millimeters.
- 2.Tolerance is ± 0.20 mm unless otherwise specified.

K- 02425GX-P3 LCD BACK LIGHT, COB TYPE, LCD CHARACTER 16×2



Part No.	Luminous Area (mm)	Chip		Wave Length λ_p (nm)	Electro-Optical Characteristics		
		Raw Material	Emitted Color		Input Current	I_v (cd/m ²) Typ.	V_f (V) Typ.
K-02425GX-P3	18.4×65.0 mm	GaP	Yellow Green	570	$I_F=240$ mA	110	2.1

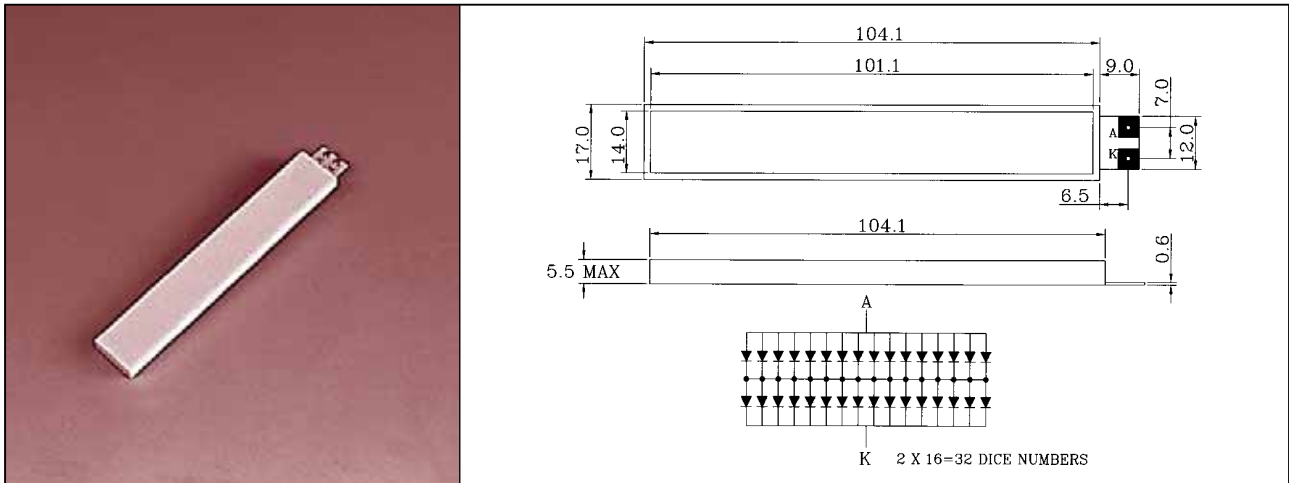
K- 02615GX-P3 LCD BACK LIGHT, COB TYPE, LCD CHARACTER 16×1



Part No.	Luminous Area (mm)	Chip		Wave Length λ_p (nm)	Electro-Optical Characteristics		
		Raw Material	Emitted Color		Input Current	I_v (cd/m ²) Typ.	V_f (V) Typ.
K-02615GX-P3	16.0×66.5 mm	GaP	Yellow Green	570	$I_F=130$ mA	110	4.2

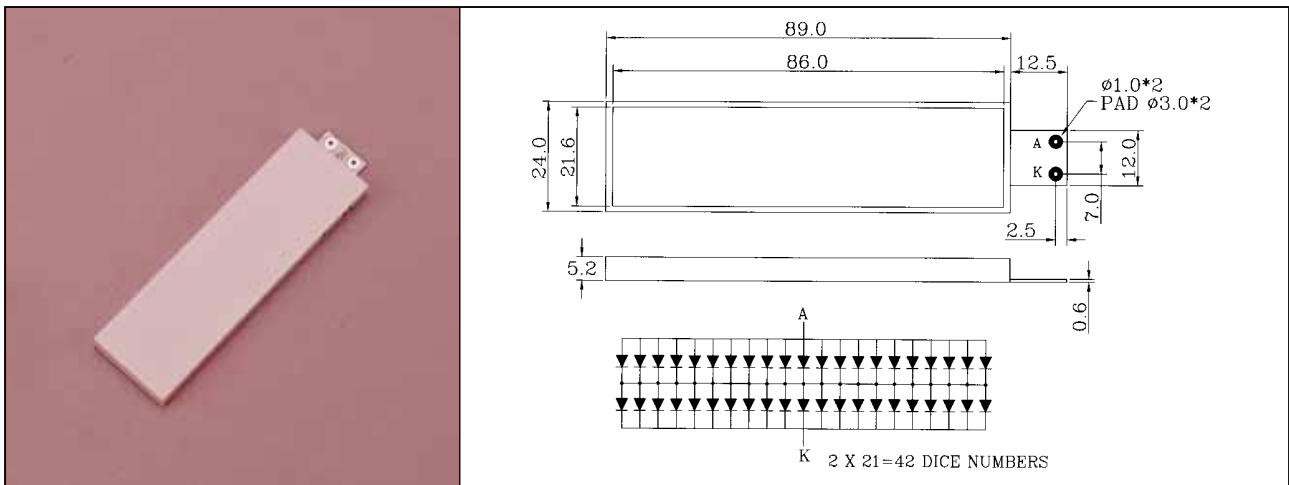
- 1.All dimension are in millimeters.
- 2.Tolerance is ± 0.20 mm unless otherwise specified.

K- 03203GX LCD BACK LIGHT, COB TYPE, LCD CHARACTER 16×1(L)



Part No.	Luminous Area (mm)	Chip		Wave Length λ_p (nm)	Electro-Optical Characteristics		
		Raw Material	Emitted Color		Input Current	I_v (cd/m ²) Typ.	V_f (V) Typ.
K-03203GX	14.0×101.0 mm	GaP	Yellow Green	570	$I_F=160$ mA	120	4.2

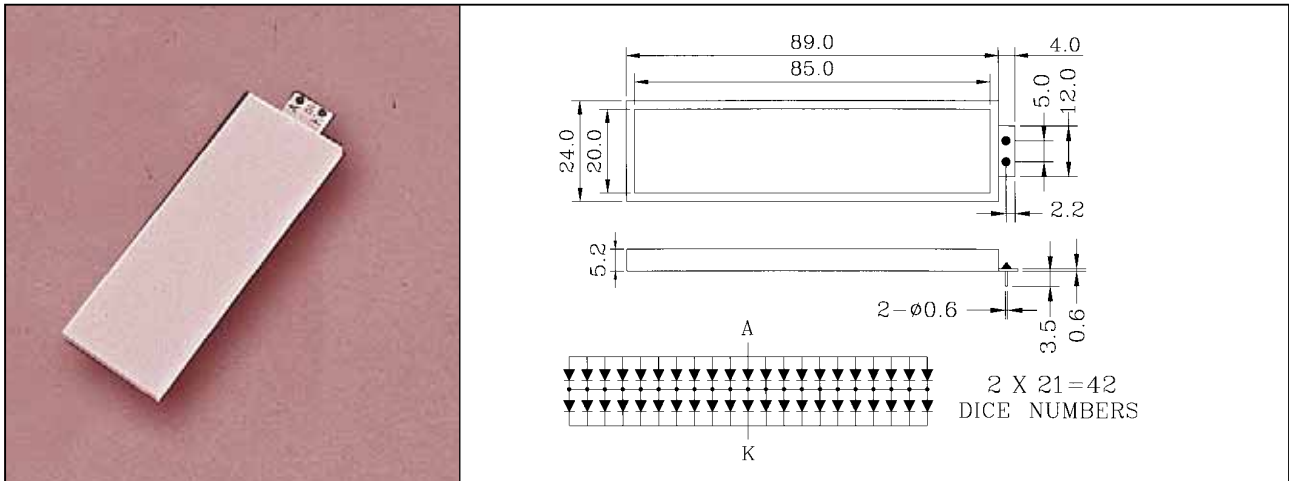
K- 04204GX LCD BACK LIGHT, COB TYPE, LCD CHARACTER 20×2



Part No.	Luminous Area (mm)	Chip		Wave Length λ_p (nm)	Electro-Optical Characteristics		
		Raw Material	Emitted Color		Input Current	I_v (cd/m ²) Typ.	V_f (V) Typ.
K-04204GX	21.6×86.0 mm	GaP	Yellow Green	570	$I_F=210$ mA	130	4.2

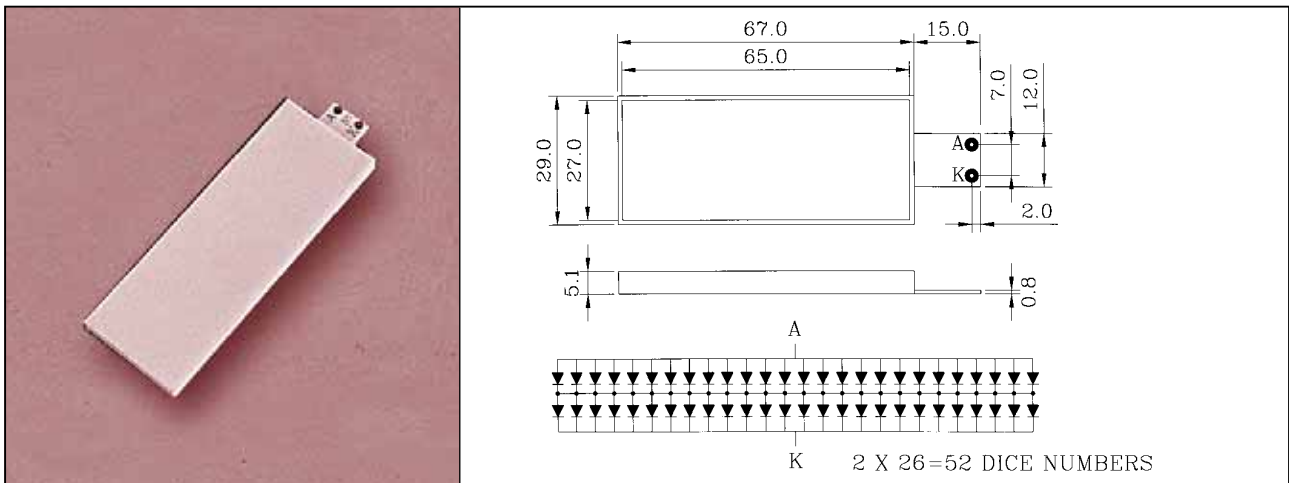
- 1.All dimension are in millimeters.
- 2.Tolerance is ± 0.20 mm unless otherwise specified.

K- 04211GX-P LCD BACK LIGHT, COB TYPE, LCD CHARACTER 20×2



Part No.	Luminous Area (mm)	Chip		Wave Length λ_p (nm)	Electro-Optical Characteristics		
		Raw Material	Emitted Color		Input Current	I_v (cd/m ²) Typ.	V_f (V) Typ.
K-04211GX-P	20.0×85.0 mm	GaP	Yellow Green	570	$I_F=210$ mA	150	4.2

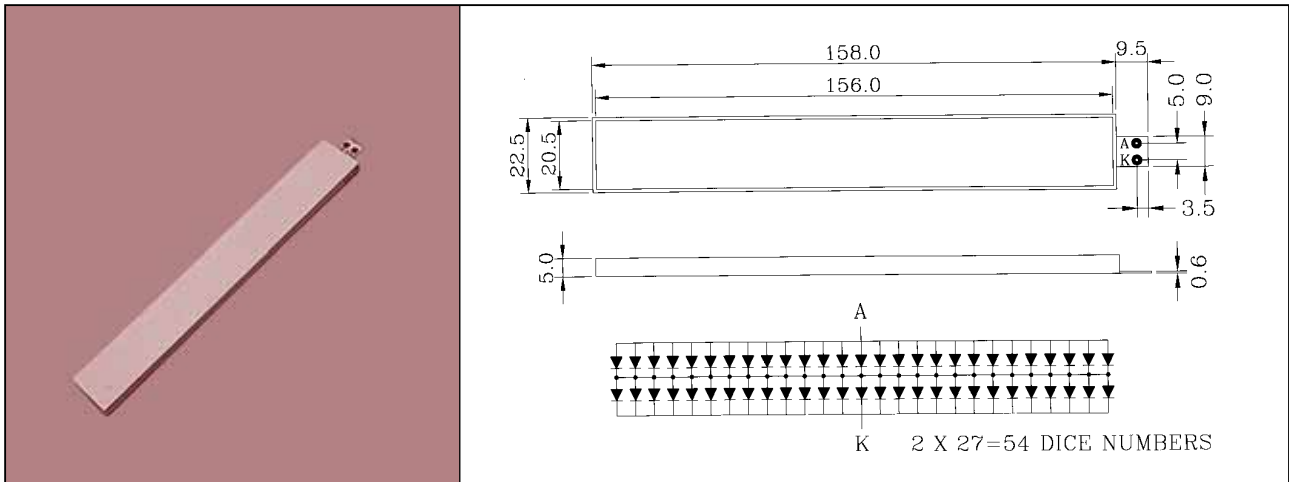
K- 05205GX LCD BACK LIGHT, COB TYPE, LCD CHARACTER 16×4



Part No.	Luminous Area (mm)	Chip		Wave Length λ_p (nm)	Electro-Optical Characteristics		
		Raw Material	Emitted Color		Input Current	I_v (cd/m ²) Typ.	V_f (V) Typ.
K-05205GX	27.0×65.0 mm	GaP	Yellow Green	570	$I_F=260$ mA	140	4.2

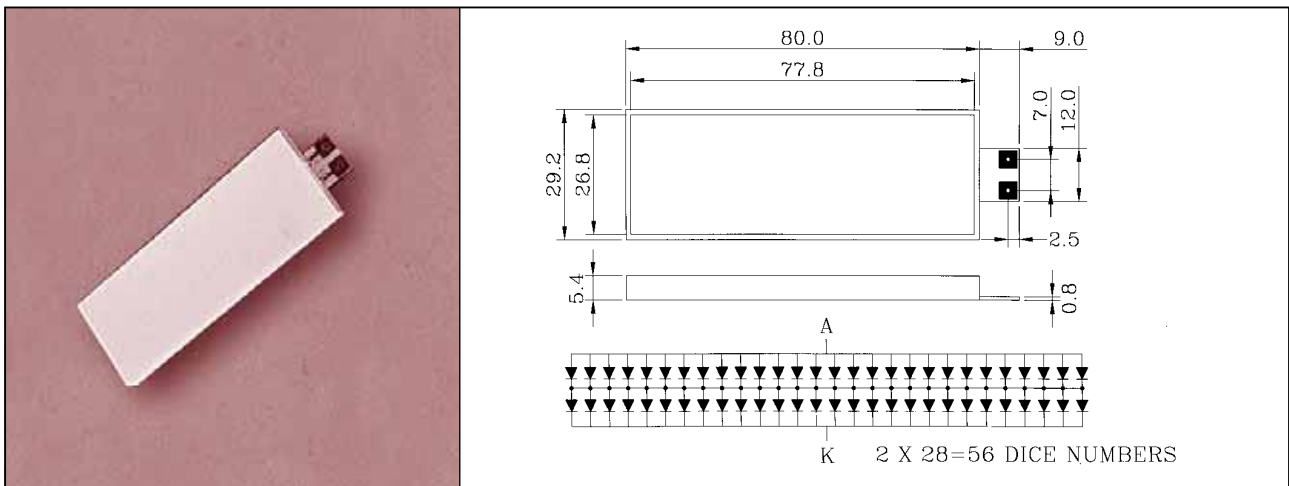
- 1.All dimension are in millimeters.
- 2.Tolerance is ± 0.20 mm unless otherwise specified.

K- 05401GX LCD BACK LIGHT, COB TYPE, LCD CHARACTER 40×2



Part No.	Luminous Area (mm)	Chip		Wave Length λ_p (nm)	Electro-Optical Characteristics		
		Raw Material	Emitted Color		Input Current	I_v (cd/m ²) Typ.	V_f (V) Typ.
K-05401GX	20.5 × 156.0 mm	GaP	Yellow Green	570	$I_F=270$ mA	120	4.2

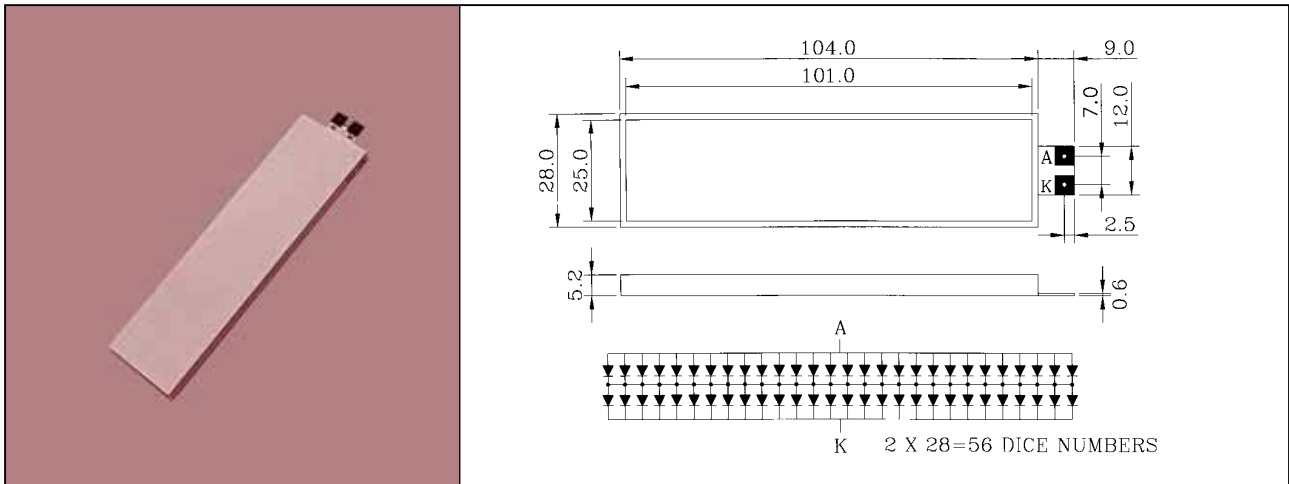
K- 05601GX LCD BACK LIGHT, COB TYPE, LCD CHARACTER 20×4



Part No.	Luminous Area (mm)	Chip		Wave Length λ_p (nm)	Electro-Optical Characteristics		
		Raw Material	Emitted Color		Input Current	I_v (cd/m ²) Typ.	V_f (V) Typ.
K-05601GX	26.8 × 77.8 mm	GaP	Yellow Green	570	$I_F=280$ mA	140	4.2

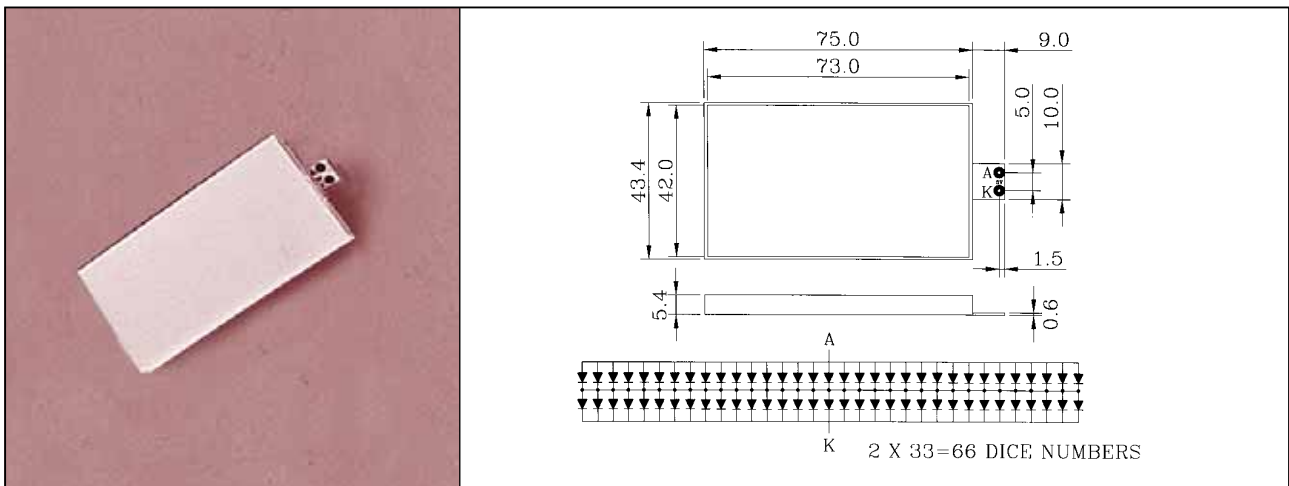
- 1.All dimension are in millimeters.
- 2.Tolerance is ± 0.20 mm unless otherwise specified.

K- 05606GX LCD BACK LIGHT, COB TYPE, LCD CHARACTER 16×2(L)



Part No.	Luminous Area (mm)	Chip		Wave Length λ_p (nm)	Electro-Optical Characteristics		
		Raw Material	Emitted Color		Input Current	I_v (cd/m ²) Typ.	V_f (V) Typ.
K-05606GX	25.0×101.0 mm	GaP	Yellow Green	570	$I_F=280$ mA	150	4.2

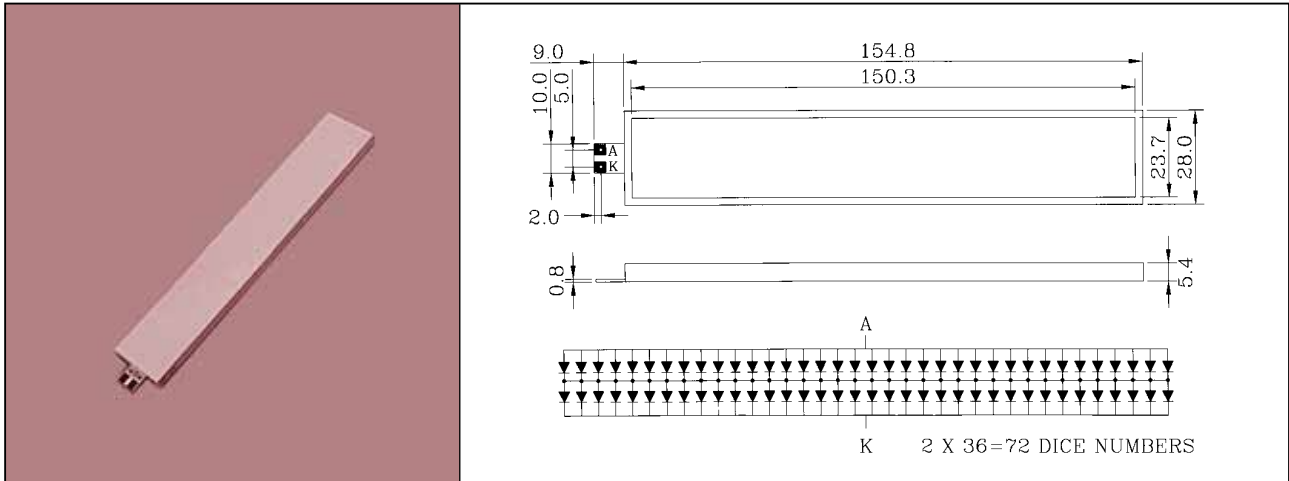
K- 06601G LCD BACK LIGHT, COB TYPE, LCD CHARACTER 128×64



Part No.	Luminous Area (mm)	Chip		Wave Length λ_p (nm)	Electro-Optical Characteristics		
		Raw Material	Emitted Color		Input Current	I_v (cd/m ²) Typ.	V_f (V) Typ.
K-06601G	42.0×73.0 mm	GaP	Yellow Green	570	$I_F=330$ mA	120	4.2

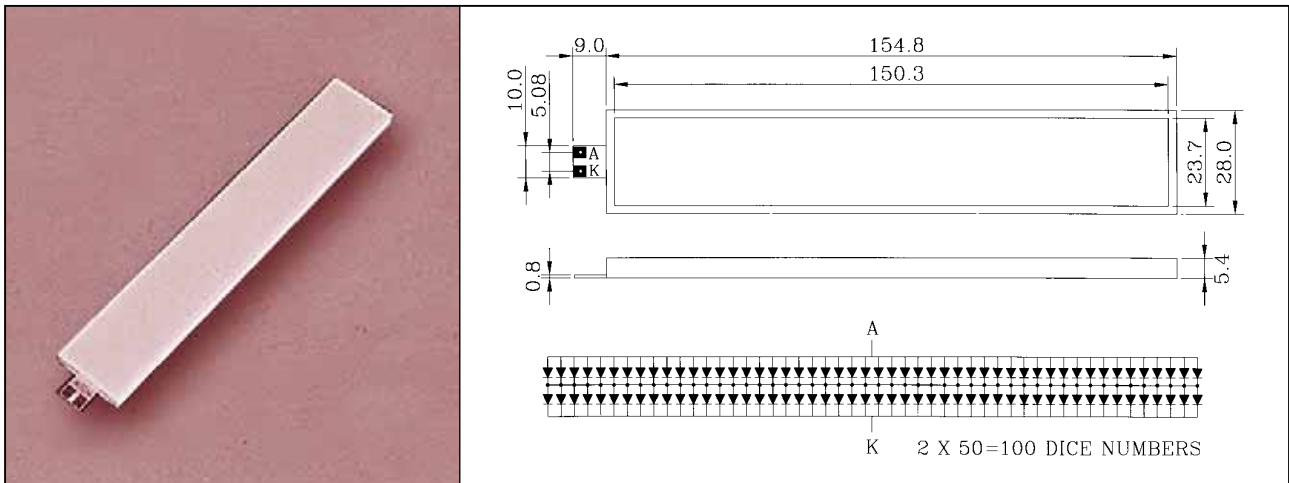
- 1.All dimension are in millimeters.
- 2.Tolerance is ± 0.20 mm unless otherwise specified.

K- 07205G LCD BACK LIGHT, COB TYPE, LCD CHARACTER 20×2(L)



Part No.	Luminous Area (mm)	Chip		Wave Length λ_p (nm)	Electro-Optical Characteristics		
		Raw Material	Emitted Color		Input Current	I_v (cd/m ²) Typ.	V_f (V) Typ.
K-07205G	23.7×150.3 mm	GaP	Yellow Green	570	$I_F=360$ mA	140	4.2

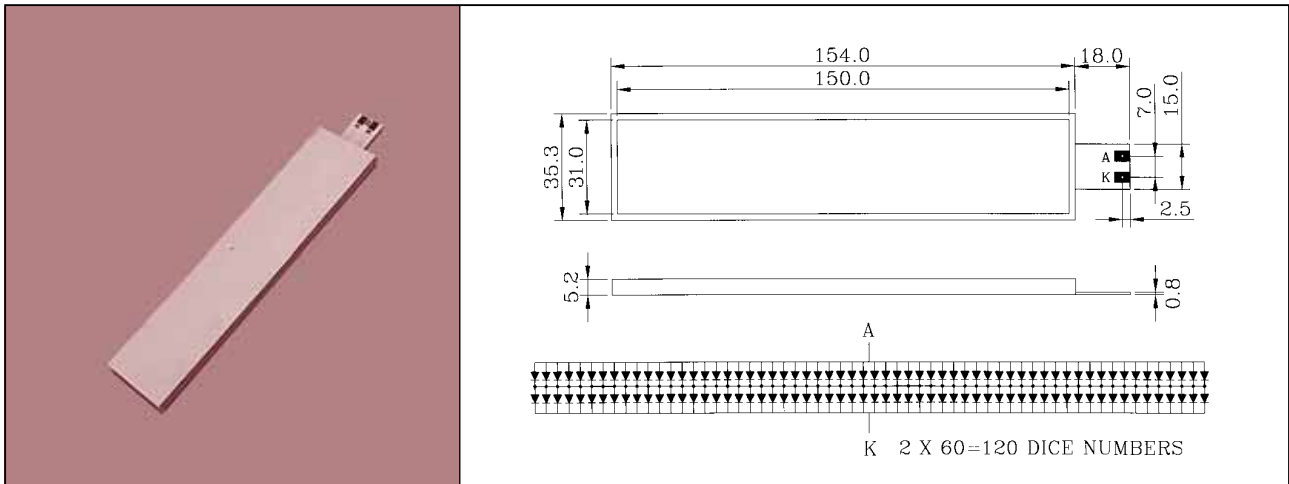
K- 10004GX LCD BACK LIGHT, COB TYPE, LCD CHARACTER 20×2(L)



Part No.	Luminous Area (mm)	Chip		Wave Length λ_p (nm)	Electro-Optical Characteristics		
		Raw Material	Emitted Color		Input Current	I_v (cd/m ²) Typ.	V_f (V) Typ.
K-10004GX	23.7×150.3 mm	GaP	Yellow Green	570	$I_F=500$ mA	140	4.2

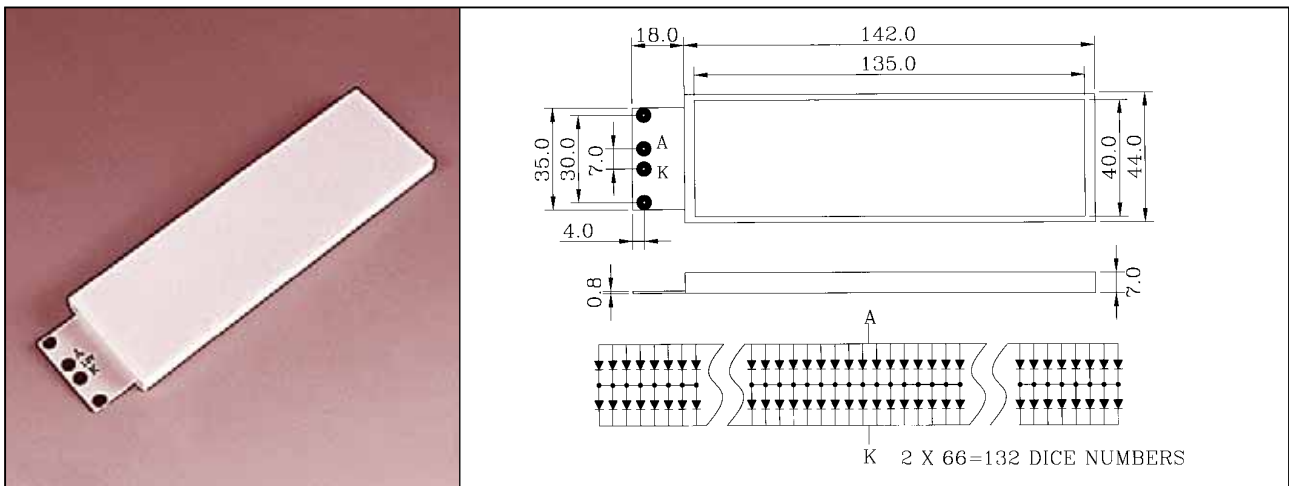
- 1.All dimension are in millimeters.
- 2.Tolerance is ± 0.20 mm unless otherwise specified.

K- 12001GX LCD BACK LIGHT, COB TYPE, LCD CHARACTER 40×4



Part No.	Luminous Area (mm)	Chip		Wave Length λ_p (nm)	Electro-Optical Characteristics		
		Raw Material	Emitted Color		Input Current	I_v (cd/m ²) Typ.	V_f (V) Typ.
K-12001GX	31.0×150.0 mm	GaP	Yellow Green	570	$I_F=600$ mA	150	4.2

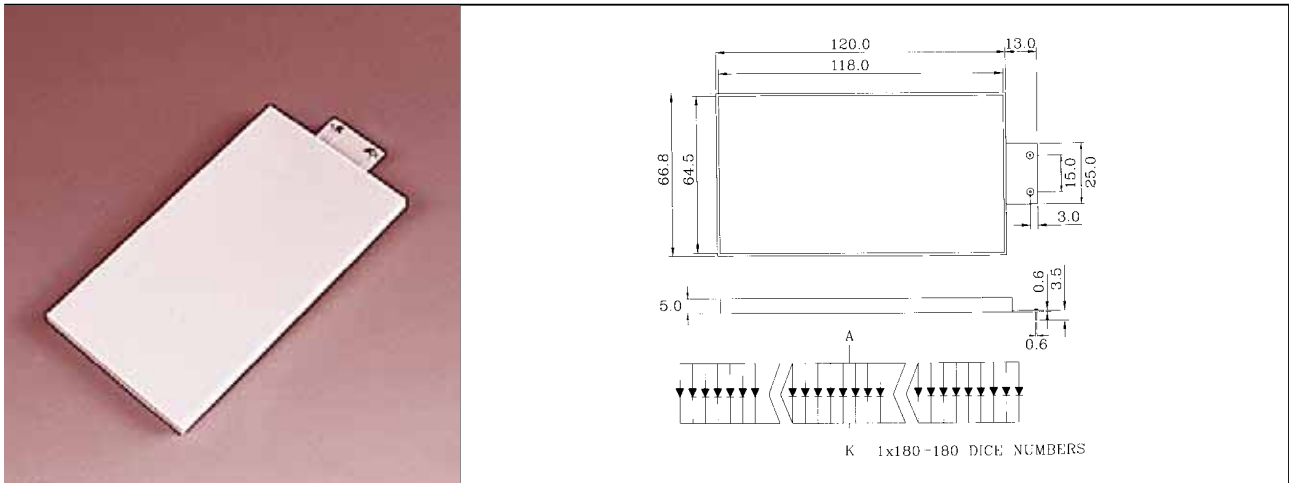
K- 13204GX LCD BACK LIGHT, COB TYPE, LCD CHARACTER 128×64



Part No.	Luminous Area (mm)	Chip		Wave Length λ_p (nm)	Electro-Optical Characteristics		
		Raw Material	Emitted Color		Input Current	I_v (cd/m ²) Typ.	V_f (V) Typ.
K-13204GX	40.0×135.0 mm	GaP	Yellow Green	570	$I_F=660$ mA	140	4.2

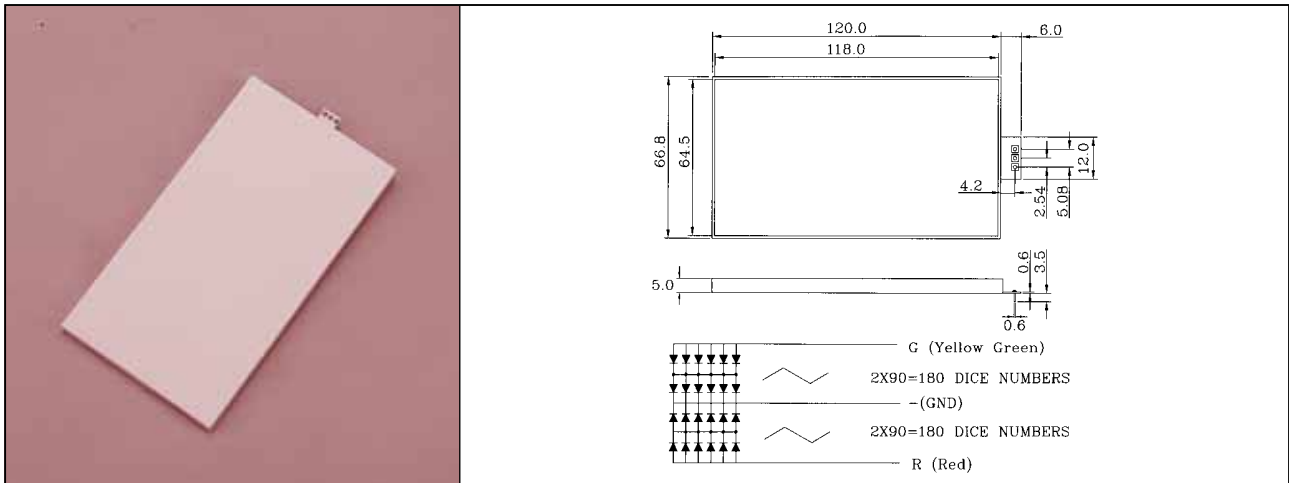
- 1.All dimension are in millimeters.
- 2.Tolerance is ± 0.20 mm unless otherwise specified.

K-18001G-P LCD BACK LIGHT, COB TYPE, LCD CHARACTER 240×128



Part No.	Luminous Area (mm)	Chip		Wave Length λ_p (nm)	Electro-Optical Characteristics		
		Raw Material	Emitted Color		Input Current	I_v (cd/m ²) Typ.	V_f (V) Typ.
K-18001G-P	64.5×118.0 mm	GaP	Yellow Green	570	$I_F=1800$ mA	80	2.1

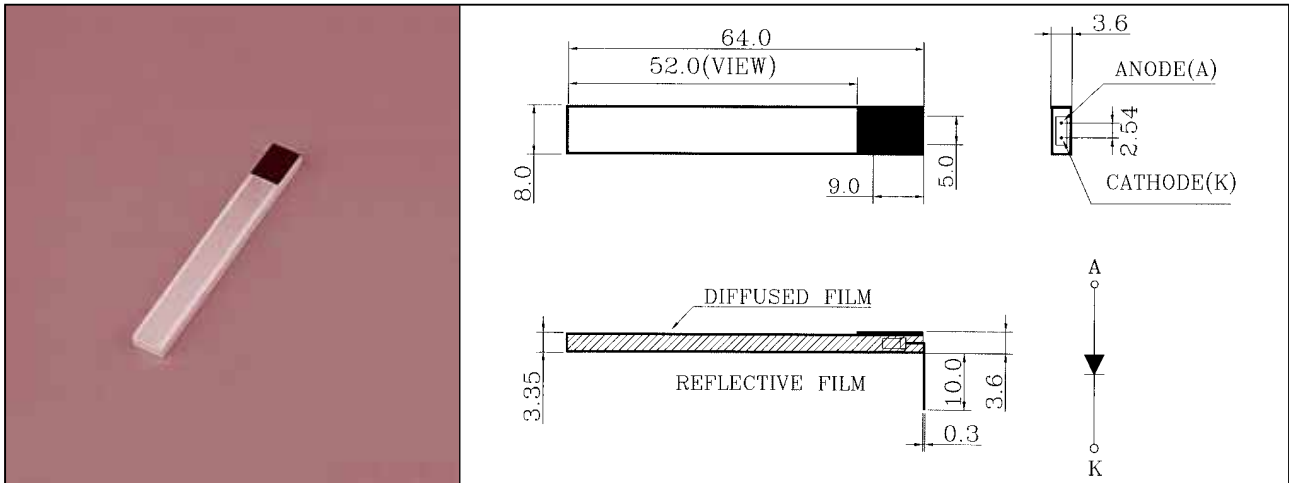
K-18004SRDG-P LCD BACK LIGHT, COB TYPE, LCD CHARACTER 240×128



Part No.	Luminous Area (mm)	Chip		Wave Length λ_p (nm)	Electro-Optical Characteristics		
		Raw Material	Emitted Color		Input Current	I_v (cd/m ²) Typ.	V_f (V) Typ.
K-18004SRDG-P	64.5×118.0 mm	GaAlAs/GaAs	Super Red	660	$I_F=900$ mA	450	3.6
		GaP	Yellow Green	570	$I_F=900$ mA	175	4.2

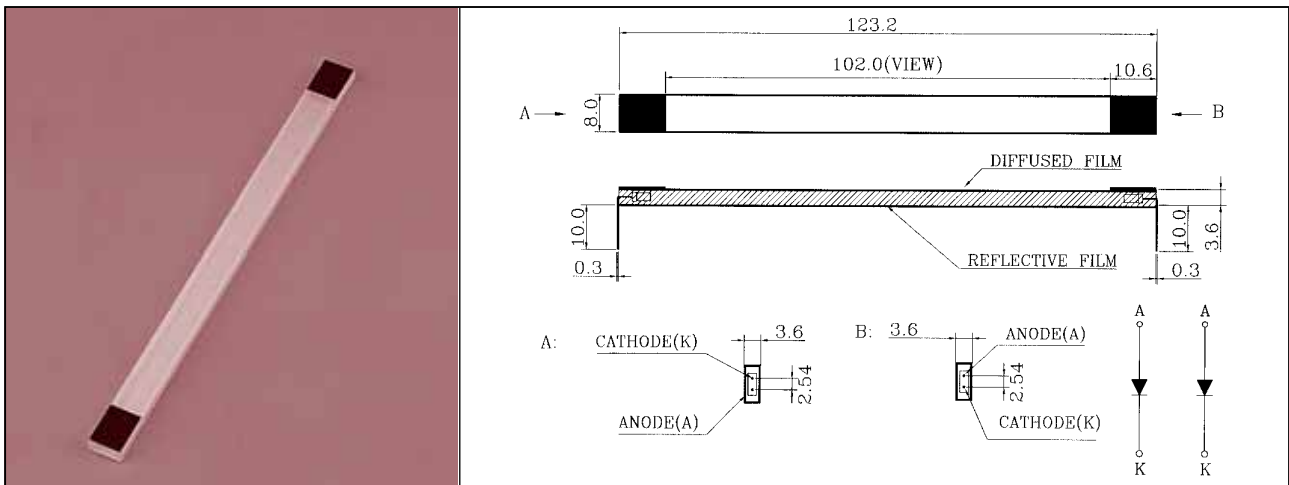
- 1.All dimension are in millimeters.
- 2.Tolerance is ± 0.20 mm unless otherwise specified.

S-0201(8.0x64.0mm L- 6S4VY2C) LCD BACK LIGHT, TAB TYPE



Part No.	Luminous Area (mm)	Chip		Wave Length λ_p (nm)	Electro-Optical Characteristics		
		Raw Material	Emitted Color		Input Current	I_v (cd/m ²) Typ.	V_f (V) Typ.
S-8.0×64.0mm (L-6S4VY2C)	5.0×52.0 mm	GaAlInP	Yellow	590	$I_f=20$ mA	100	2.5

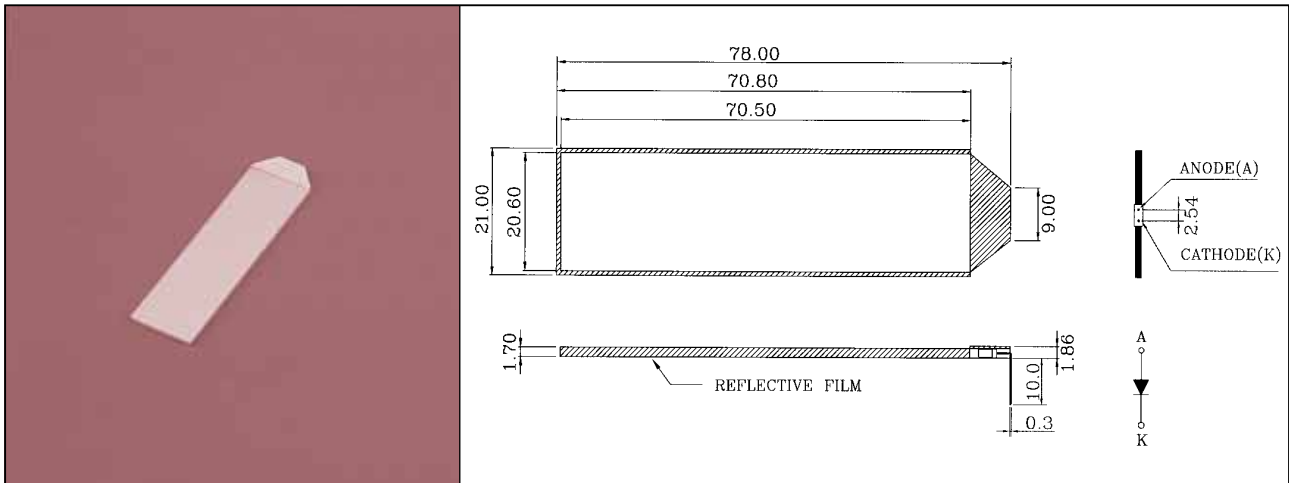
S-0202(8.0x123.2mm L- 6S4VY2C) LCD BACK LIGHT, TAB TYPE



Part No.	Luminous Area (mm)	Chip		Wave Length λ_p (nm)	Electro-Optical Characteristics		
		Raw Material	Emitted Color		Input Current	I_v (cd/m ²) Typ.	V_f (V) Typ.
S-8.0×123.2mm (L-6S4VY2C)	5.0×102.0 mm	GaAlInP	Yellow	590	$I_f=20$ mA	100	2.5

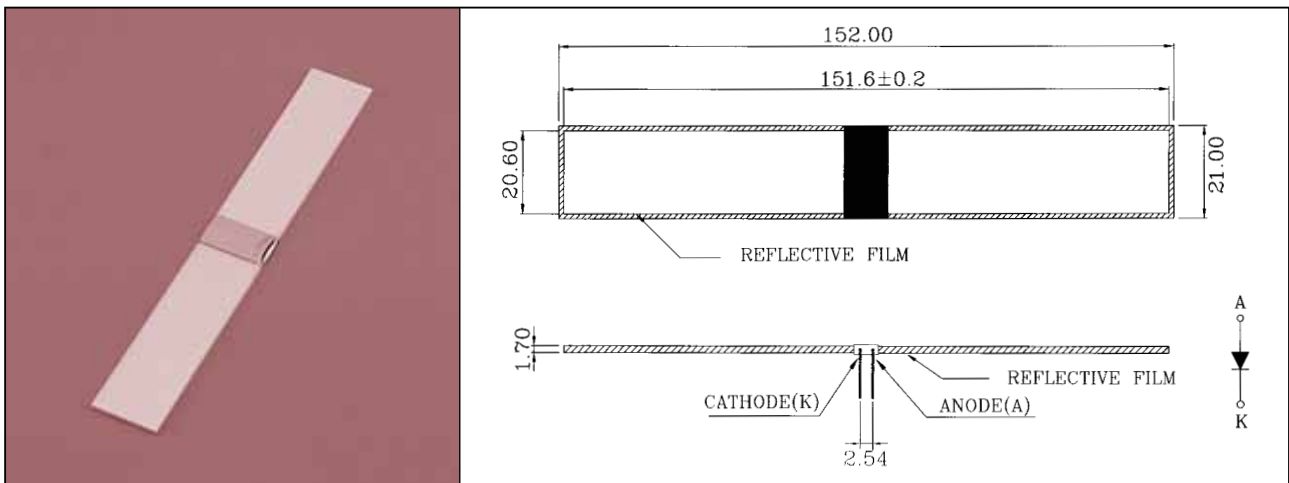
- 1.All dimension are in millimeters.
- 2.Tolerance is ± 0.20 mm unless otherwise specified.

S-0203(21.0x78.0mm L- 454VY2C) LCD BACK LIGHT, TAB TYPE



Part No.	Luminous Area (mm)	Chip		Wave Length λ_p (nm)	Electro-Optical Characteristics		
		Raw Material	Emitted Color		Input Current	I_v (cd/m ²) Typ.	V_f (V) Typ.
S-21.0×78.0mm (L-454VY2C)	20.6×70.5 mm	GaAlInP	Yellow	590	$I_f=20$ mA	70	2.5

S-0204(21.0x152.0mm L- 454VY2C) LCD BACK LIGHT, TAB TYPE



Part No.	Luminous Area (mm)	Chip		Wave Length λ_p (nm)	Electro-Optical Characteristics		
		Raw Material	Emitted Color		Input Current	I_v (cd/m ²) Typ.	V_f (V) Typ.
S-21.0×152.0mm (L-454VY2C)	20.6×151.2 mm	GaAlInP	Yellow	590	$I_f=20$ mA	25	2.5

- 1.All dimension are in millimeters.
- 2.Tolerance is ± 0.20 mm unless otherwise specified.