

1、 All dimensions in mm [Inch]

2、 General tolerance : >10±0.4
<10±0.25

3、 Electrical rating : 16A 250VAC & 20A 125VAC

4、 Contact resistance : <20mΩ(initial)

5、 Insulation resistance : > 1000MΩ(500VDC between open contacts)

6、 Dielectric strength : >1500V 1 minute

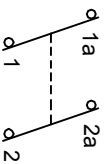
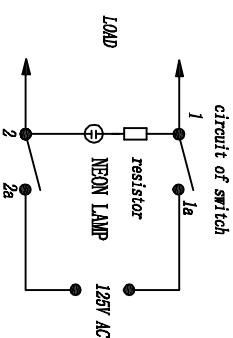
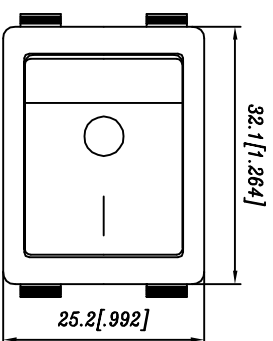
7、 Mechanical life : >30000 cycles

8、 Electrical life : >10000 cycles

9、 Temperature rise at the terminal : Max.30°C

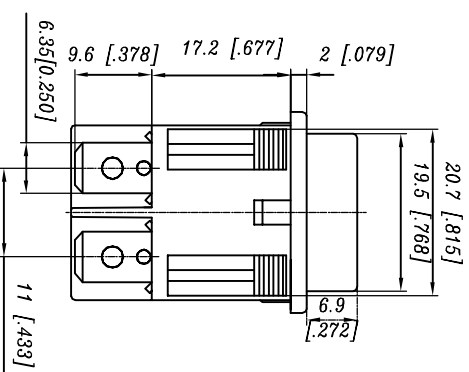
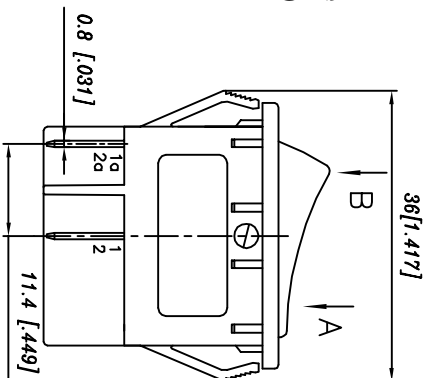
10、 Solder ability of terminal : Max350°C,3S(no pressure may be placed in the terminals when soldering by hand)

本公司智慧財產，未經同意不得複製
Diptronics copyright,
may not be used without permission from Diptronics.



CIRCUIT DPST

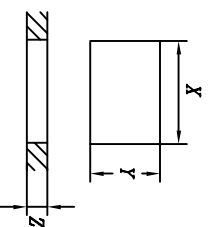
POLE FUNCTION	OPTIONS OF FUNCTION	
A	—	B
DPST	1-1a 2-2a	OFF



PANEL OUT-CUT

Z	Y	X
0.7~1.25 [.028~.049]	22.1~22.2 [870~874]	30.0~30.2 [1.181~1.189]
1.25~2.0 [.049~.079]	22.1~22.2 [870~874]	30.2~30.4 [1.189~1.197]
2.0~3.0 [.079~.118]	22.1~22.2 [870~874]	30.6~30.8 [1.205~1.213]

* We keep the right to alter the dimension without notice.



Color	Housing	Actuator
K(Black)	V	
W(White)		
R(Red)		
G(Gray)		
O(Orange)		
B(Blue)		
Y(III. Yellow)		
M(III. Green)		
F(III. Blue)		V
T(III. White)		
D(III. Red)		

A	.	-	○					○	-	○	△	○
B		-	○					○	-	○	△	○
C		-	○					○	-	○	△	○
D		-	○					○	-	○	△	○
E		-	○					○	-	○	△	○
F		-	○					○	-	○	△	○
V		-	○					○	-	○	△	○
		-	○					○	-	○	△	○
		-	○					○	-	○	△	○
		-	○					○	-	○	△	○
		-	○					○	-	○	△	○
		-	○					○	-	○	△	○
		-	○					○	-	○	△	○
		-	○					○	-	○	△	○

SCALE:0.6:1

ZONE	REV	DESCRIPTION	DATE	APPD.
△				
△				
△				
△	A	DWG REL.		

APPD:	Q'TY:	SCALE:	UNITS:	PART NO:	MAT'L:	PART NAME:
			mm	R595KFF11FA		R595KFF11FA
DIPTRONICS MANUFACTURING INC.						