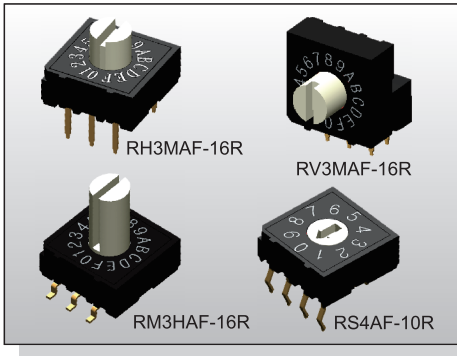


ROTARY CODED SWITCH R(H)(V)(M)(S) SERIES

10x10mm
Rotary Type



FEATURES

- Vertical and right angel type
- Flush & raised actuator
- BCD; Hexadecimal

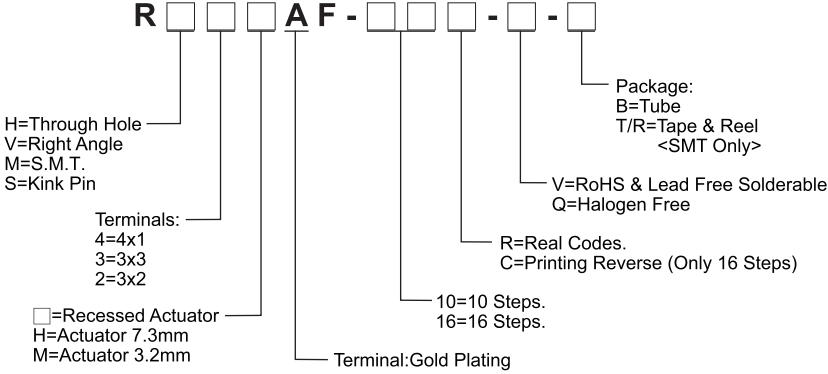
APPLICATION

- Building & home automation
- White goods
- Electronic instrument

SPECIFICATION

Contact Rating	25mA, 24V DC
Contact Resistance	100mΩ max.
Insulation Resistance	100MΩ min. 250V DC
Dielectric Strength	250V AC/1 minute
Operating Force	400gf-cm max.
Operating Life	20,000 Steps
Operating Temp.	-25°C ~ +80°C
Storage Temp.	-40°C ~ +85°C

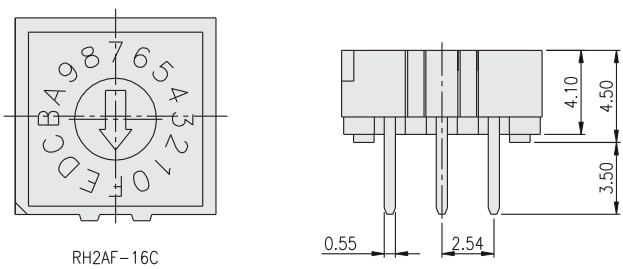
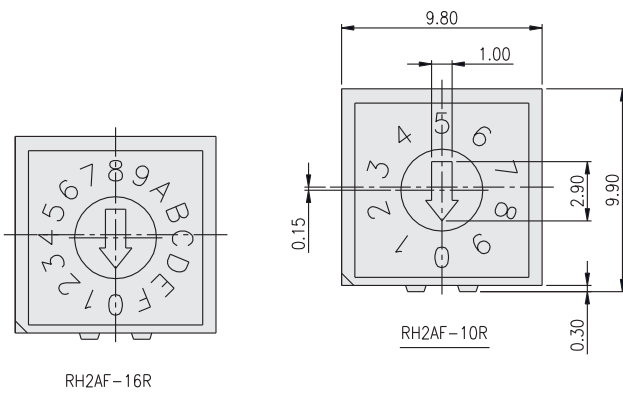
HOW TO ORDER



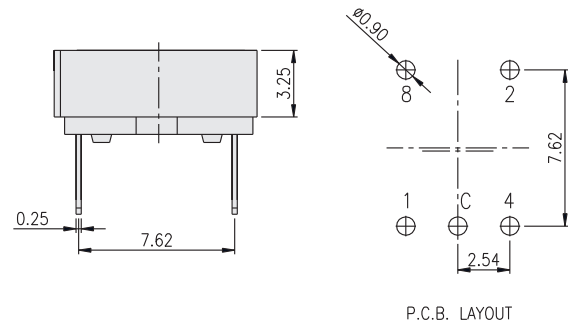
PACKAGE

- <Tube>
48 pcs
- <Tape & Reel>
750 pcs/reel (recessed actuator)
500 pcs/reel (3.2mm actuator)
250 pcs/reel (7.3mm actuator)

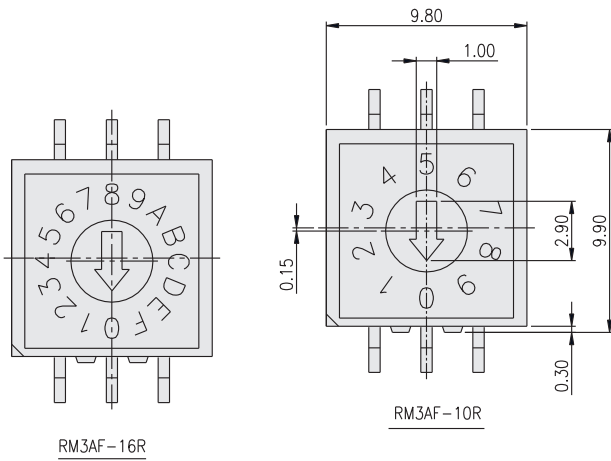
RH2



TYPE	POSITION	CODE				
		16C	1	2	4	8
10R	0	F	●	●	●	●
	1	E	○	○	●	●
	2	D	●	○	○	●
	3	C	○	○	●	●
	4	B	○	●	○	●
	5	A	○	○	○	●
	6	9	●	○	○	●
	7	8	○	○	○	●
	8	7	●	●	●	○
	9	6	○	○	○	○
16R,C	A	5	●	○	○	○
	B	4	○	○	●	○
	C	3	●	○	○	○
	D	2	○	○	○	○
	E	1	●	○	○	○
	F	0	○	○	○	○

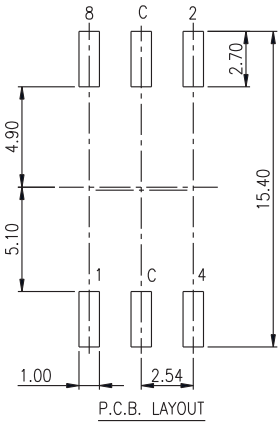
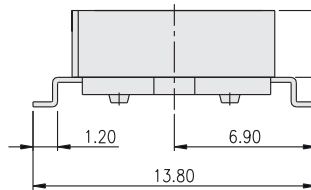
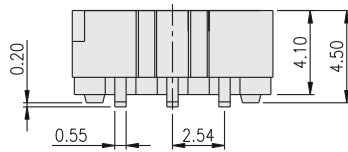
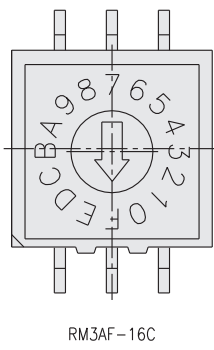


RM3

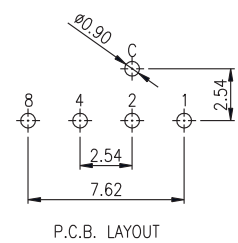
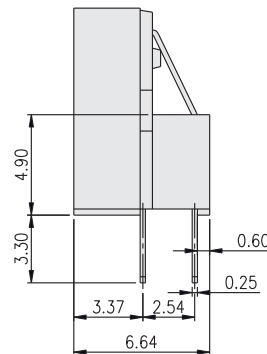
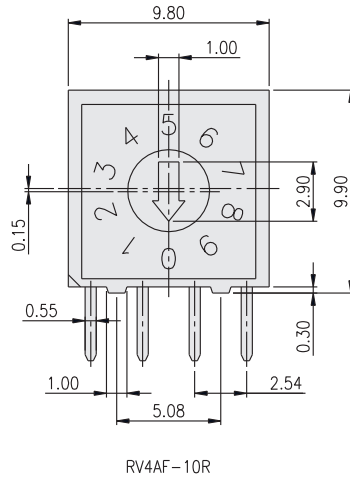
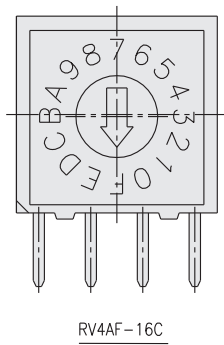
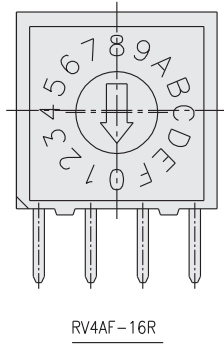


○ ON
 ● OFF

TYPE	POSITION		CODE			
	00R	16C	1	2	4	8
10R	0	F	●	●	●	●
	1	E	○	●	●	●
	2	D	●	○	●	●
	3	C	○	○	●	●
	4	B	●	●	○	●
	5	A	○	●	○	●
	6	9	●	○	○	●
	7	8	○	○	○	●
	8	7	●	●	●	○
	9	6	○	○	●	○
16R,C	A	5	●	○	○	○
	B	4	○	○	●	○
	C	3	●	●	○	○
	D	2	○	○	○	○
	E	1	●	○	○	○
	F	0	○	○	○	○



RV4

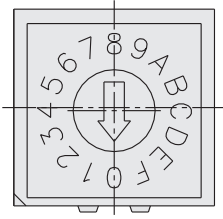


○ ON
 ● OFF

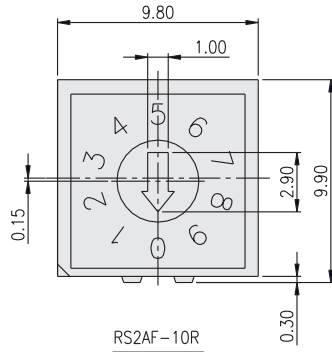
TYPE	POSITION		CODE			
	00R	16C	1	2	4	8
10R	0	F	●	●	●	●
	1	E	○	●	●	●
	2	D	●	○	●	●
	3	C	○	○	●	●
	4	B	●	●	○	●
	5	A	○	●	○	●
	6	9	●	○	○	●
	7	8	○	○	○	●
	8	7	●	●	●	○
	9	6	○	○	●	○
16R,C	A	5	●	○	○	○
	B	4	○	○	●	○
	C	3	●	●	○	○
	D	2	○	○	○	○
	E	1	●	○	○	○
	F	0	○	○	○	○

ROTARY CODED SWITCH

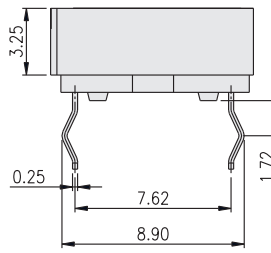
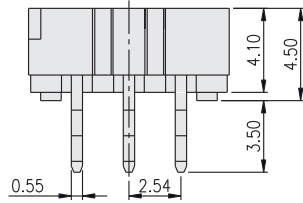
RS2



RS2AF-16R

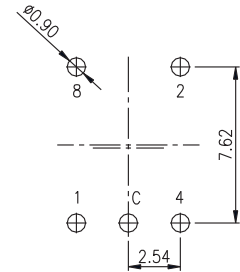


RS2AF-10R



○ ON
 ● OFF

TYPE	POSITION	CODE			
		1	2	4	8
10R	0	●	●	●	●
	1	○	●	●	●
	2	●	○	●	●
	3	○	○	●	●
	4	●	●	○	●
	5	○	●	○	●
	6	●	○	○	●
	7	○	○	○	●
	8	●	●	●	○
	9	○	●	●	○
16R	A	○	○	●	○
	B	○	○	●	○
	C	●	●	○	○
	D	○	●	○	○
	E	●	○	○	○
	F	○	○	○	○



P.C.B. LAYOUT