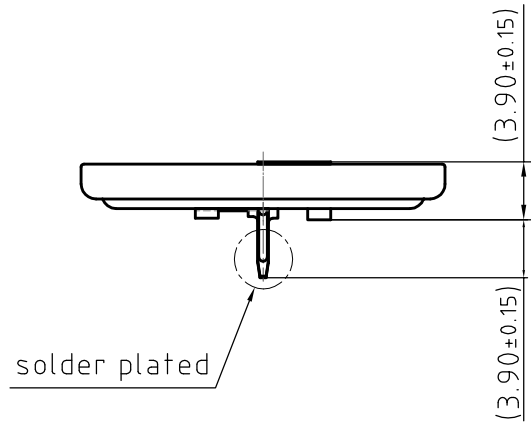
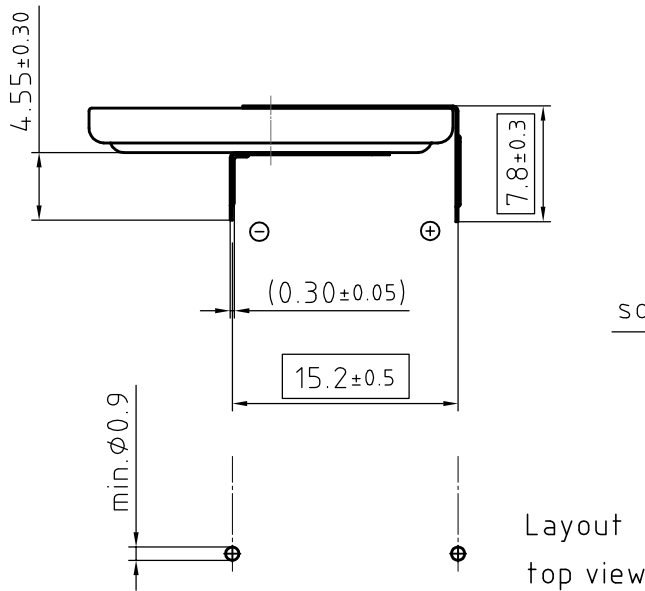
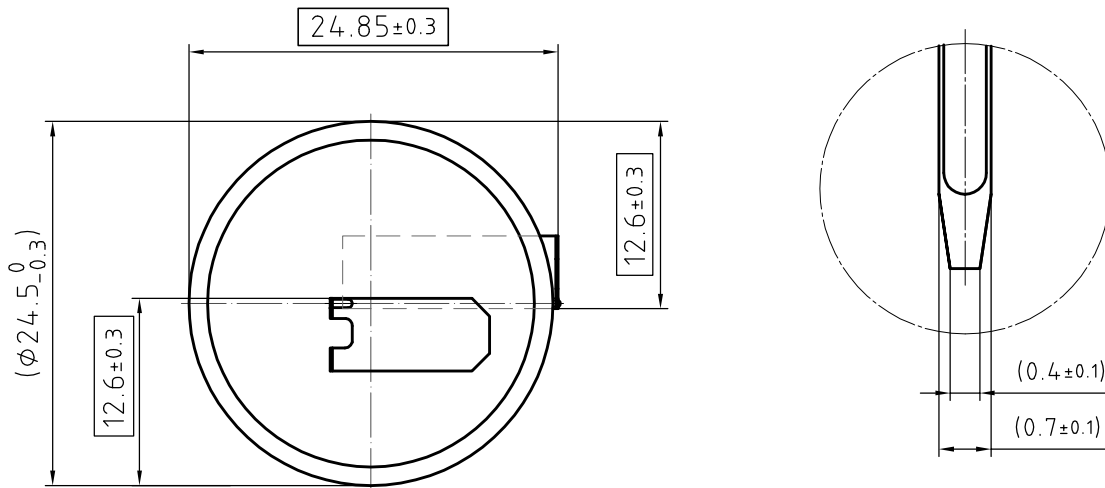


Art.-Number: 702521



Tab material: Stainless steel

All framed values will be used for dimension checking !

- Samples can deviate in the execution from the serie.

- Dimensions and tolerances can be specified only after the testing of the devices for the mass production definitely

|      |      |             |                 |             |
|------|------|-------------|-----------------|-------------|
| 3    | 1    | Minus tab   | Stainless steel | 3.8772.3-2  |
| 2    | 1    | Plus tab    | Stainless steel | 3.8782.3-1  |
| 1    | 1    | Battery     | CR2430MFR.IB    |             |
| Pos. | Q'ty | Description | Material        | Drawing No. |

|                |   |          |         |      |   |  |  |              |                     |          |         |
|----------------|---|----------|---------|------|---|--|--|--------------|---------------------|----------|---------|
| Rev.           | ① | 25.08.09 | Wu Ping | Rev. | ○ |  |  |              | Customer's Approval |          |         |
| Rev.           | ○ |          |         | Rev. | ○ |  |  |              | Date                |          |         |
| Rev.           | ○ |          |         | Rev. | ○ |  |  |              | Signature           |          |         |
| Titel:         |   |          |         |      |   |  |  | Scale<br>2:1 | Drawn               | 09.07.09 | Wu Ping |
| CR2430 MFR FH1 |   |          |         |      |   |  |  |              | Checked             | 25.08.09 | SRI     |
|                |   |          |         |      |   |  |  |              | Approved            |          |         |

**renata**  
batteries

CH-4452 Itingen  
Switzerland

10.0447.4-1