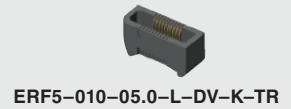
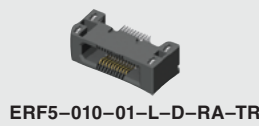


ERF5-050-01-L-D-RA-TR



(0.50 mm) .0197"

ERF5, ERF5-RA SERIES

# RUGGED HIGH-SPEED SOCKET

Mates with:  
ERM5

## SPECIFICATIONS

For complete specifications and recommended PCB layouts see [www.samtec.com?ERF5](http://www.samtec.com?ERF5) or [www.samtec.com?ERF5-RA](http://www.samtec.com?ERF5-RA)

- Insulator Material:** Black LCP
- Terminal Material:** BeCu
- Plating:** Au or Sn over 50 μ" (1.27 μm) Ni
- Current Rating (-DV to -DV):** 1.5 A per pin (2 pins powered)
- Current Rating (-DV to -RA):** 1.6 A per pin (2 pins powered)
- Operating Temp Range:** -55 °C to +125 °C
- Voltage Rating:** 194 VAC mated with ERM5
- RoHS Compliant:** Yes

## PROCESSING

- Lead-Free Solderable:** Yes
- SMT Lead Coplanarity:** (0.10 mm) .004" max (010-040) (0.13 mm) .005" max (050-075)\* (\*.004" stencil solution may be available; contact IPG@samtec.com)

## RECOGNITIONS

For complete scope of recognitions see [www.samtec.com/quality](http://www.samtec.com/quality)



## ALSO AVAILABLE (MOQ Required)

- Friction Lock (-DV only)
- Weld Tab (-DV only)
- Other platings

MATED HEIGHT*			
ERF5 LEAD STYLE	ERM5 LEAD STYLE		
	-02.0	-04.0	-05.0
-05.0	(7.00) .276	(9.00) .354	(10.00) .394
-07.0	(9.00) .354	(11.00) .433	(12.00) .472

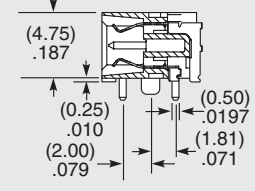
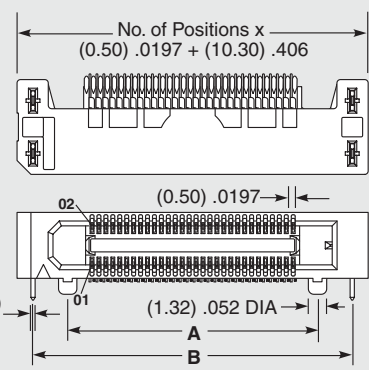
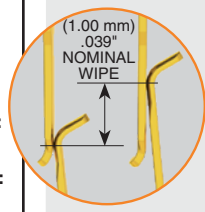
**Notes:**  
Patented  
Some lengths, styles and options are non-standard, non-returnable.



-010, -020, -030, -040, -050

-L  
= 10 μ" (0.25 μm)  
Gold on contact,  
Matte Tin on tail

-TR  
= Tape & Reel Packaging



NO. OF POSITIONS	A	B
-010	(8.00) .315	(13.00) .512
-020	(13.00) .512	(18.00) .709
-030	(18.00) .709	(23.00) .906
-040	(23.00) .906	(28.00) 1.102
-050	(28.00) 1.102	(33.00) 1.299

## HIGH-SPEED CHANNEL PERFORMANCE

ERM5/ERF5 @ 7 mm Mated Stack Height

Rating based on Samtec reference channel. For full SI performance data visit [Samtec.com](http://Samtec.com) or contact [SIG@samtec.com](mailto:SIG@samtec.com)

**28**  
Gbps



-010, -020, -030, -040, -050, -060, -070, -075

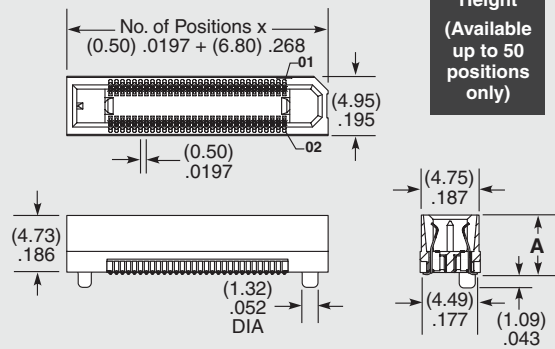
-05.0  
= 5 mm Body Height

-07.0  
= 7 mm Body Height  
(Available up to 50 positions only)

-L  
= 10 μ" (0.25 μm)  
Gold on contact,  
Matte Tin on tail

-K  
= (6.00 mm) .236" DIA  
Polyimide Film Pick & Place Pad

-TR  
= Tape & Reel Packaging



LEAD STYLE	A
-05.0	(4.91) .193
-07.0	(6.91) .272

## POWER/SIGNAL APPLICATION



Compatible with UMP/TUMPS for flexible two-piece power/signal solutions

Due to technical progress, all designs, specifications and components are subject to change without notice.