

“Stay Connected” with



Bushings, Grommets, HEYcaps & Plugs

a PennEngineering® Company



Heyco® EPDM Snap-In Liquid Tight Bushings

Mounting Hole Diameter Range: .492" (12,5 mm) to 1.988" (50,2 mm)

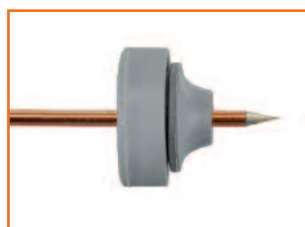
MOUNTING HOLE DIAMETER		CABLE DIAMETER RANGE		PART NO.		DESCRIPTION	Hole Size	PART DIMENSIONS					
in.	mm.	in.	mm.	Black	Gray			D Head Diameter	L Overall Length		H Head Thickness		
							in.	mm.	in.	mm.	in.	mm.	
PG Sizes for Panel Thickness from .04" (1,0 mm) to .16" (4,0 mm)													
.519	13,2	.12-.20	3,0-5,0	4014B	4014	LTB 30-50/PG7	PG7	.77	19,5	.53	13,5		
.630	16,0	.20-.28	5,0-7,0	4015B	4015	LTB 50-70/PG9	PG9	.81	20,5	.77	19,5	.28	7,0
.750	19,0	.28-.39	7,0-10,0	4016B	4016	LTB 70-100/PG11	PG11	.98	25,0	.83	21,0		
.906	23,0	.31-.55	8,0-14,0	4017B	4017	LTB 80-140/PG16	PG16	1.10	28,0	.89	22,5	.26	6,5
1.142	29,0	.55-.79	14,0-20,0	4018B	4018	LTB 140-200/PG21	PG21	1.37	34,7	1.04	26,5	.30	7,5
1.500	38,0	.79-1.02	20,0-26,0	4019B	4019	LTB 200-260/PG29	PG29	1.80	45,7	1.10	28,0	.28	7,0
1.890	48,0	1.02-1.38	26,0-35,0	4020B	4020	LTB 260-350/PG36	PG36	2.26	57,5	1.44	36,5	.30	7,7
Metric Sizes for Panel Thickness from .04" (1,0 mm) to .16" (4,0 mm)													
.492	12,5	.16-.28	4,0-7,0	4007B	4007	LTB 30-50/M12*	M12	.79	20,0	.50	12,7		
.650	16,5	.20-.35	5,0-9,0	4008B	4008	LTB 50-70/M16	M16	.83	21,0	.71	18,0		
.807	20,5	.32-.51	8,0-13,0	4009B	4009	LTB 70-100/M20	M20	1.00	25,5	.79	19,5	.26	6,5
1.004	25,4	.43-.67	11,0-17,0	4010B	4010	LTB 100-140/M25	M25	1.20	30,5	.85	21,5		
1.280	32,5	.59-.79	15,0-20,0	4011B	4011	LTB 140-200/M32	M32	1.52	38,5	.98	24,8		
1.594	40,5	.75-1.10	19,0-28,0	4012B	4012	LTB 200-260/M40	M40	1.91	48,5	1.18	30,0	.32	8,1
1.988	50,2	1.06-1.38	27,0-35,0	4013B	4013	LTB 260-350/M50	M50	2.38	60,5	1.38	35,0		

*Panel thickness from 0,5 mm (.02") to 2,0 mm (.08").

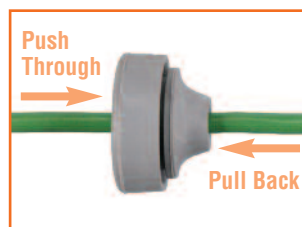
- **Simple to install**—snap LTB into place, cut cable end at a 45° angle, pierce thin LTB membrane then insert and pull back cable to form a liquid tight seal.
- Available in Black and Gray color.
- Provide light strain relief to the cable.
- Can be used as a liquid tight plug. Offers protection to IP 67.
- Ozone and weather resistant.
- For outdoor and indoor applications.
- Sizes available to fit cable diameters ranging from .12" (3,0 mm) up to 1.38" (35,0 mm).



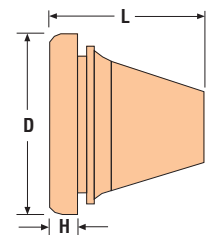
1. A sharpened dowel pin is selected—slightly smaller than the wire diameter



2. The dowel pin is inserted into the opening on the front of the LTB and pushed through the membrane



3. Wire is inserted through the LTB and then pulled back to create a seal



Material: EPDM
 Temperature Range: -40°F (-40°C) to 200°F (93°C)
 IP Rating: IP 67

Quick Specs

“Stay Connected” with



Strain Relief Bushings

a PennEngineering® Company



Heyco® Liquid Tight Strain Relief Bushings

The Ultimate in Snap-In Strain Relief Protection

Snap-in, Low Profile Design allows for Pre-assembled Cables



CABLE DIAMETER RANGE				PANEL DIMENSIONS ♦				PART NO.			DESCRIPTION	PART DIMENSIONS				CAST PLIER	NYLON PLIER ADAPTOR		
Minimum		Maximum		A Mounting Hole Dia.	Min. Panel Thickness	Max. Panel Thickness	Black*	White*	Gray*		C Head Diameter	D Overall Height		PART NO.	PART NO.				
in.	mm.	in.	mm.									in.	mm.			in.	mm.	in.	mm.
For .875 (22,2 mm) Mounting Hole																			
.280	7,1	.330	8,4	.875	22,2	.032	0,8	.094	2,4	1063	1067	1071	LTBSR 875-094-330	1.29	32,8	.99	25,1	0029	0029A**
						.125	3,2	.188	4,8	1064	1068	1072	LTBSR 875-188-330						
.330	8,4	.440	11,2			.032	0,8	.094	2,4	1065	1069	1073	LTBSR 875-094-440						
						.125	3,2	.188	4,8	1066	1070	1076	LTBSR 875-188-440						

* Color refers to the rubber membrane. Nylon 6/6 will remain black

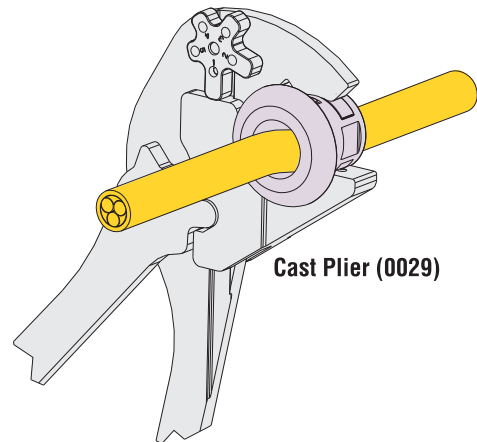
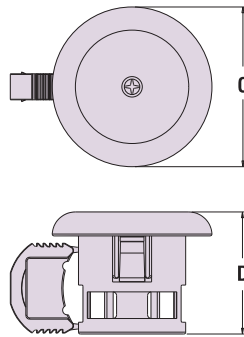
** Nylon Adaptor (0029A) included for Alternate Plier Crimping Method, but not required for Cast Plier Method

Nylon Adaptor (0029A) compatible with 10" pliers, either Workpro item #W031138 or Kobalt item #64426 (available commercially).

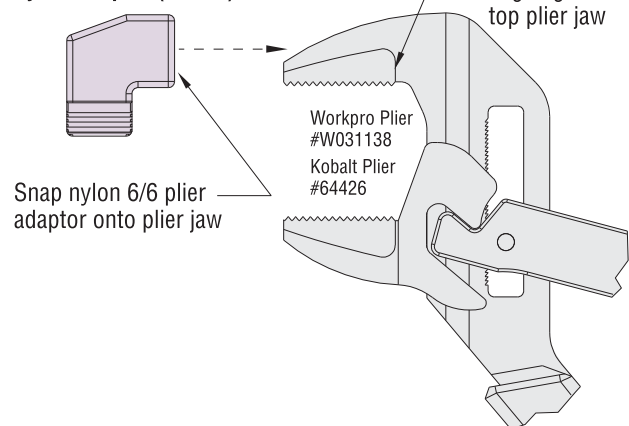
***Light gray/RAL 7035

♦ Each panel thickness has ± .015" (0,4 mm)

- These low profile co-molded nylon and elastomer parts function as a Liquid Tight Strain Relief with a cable.
- cULus approved under UL 514B.
- Low profile design: height above panel is less than .188" (4,8mm).
- Can be pre-assembled to the cable prior to installation.
- Assembles to cables with a simple hand plier for easy installation.
- Smooth, rounded interior edges for ease of installation.
- **Fast and easy installation.**
- Available in multiple sizes for cable diameters ranging from .280" (7,1 mm) to .440" (11,2 mm).
- We recommend using the fitting with the smallest maximum diameter that will fit your application.
- Meet UL strain relief requirements without bending or kinking the cable.
- Special colors available—consult Heyco.
- **Patent #10573436**



Nylon Adaptor (0029A)



Quick Specs

Material	Nylon 6/6 w/TPE Top
Certifications	cULus Listed under Underwriters' Laboratories File E51579
Flammability Rating	94V-0
Temperature Range	-4°F (-20°C) to 212°F (100°C)
IP Rating	IP 65, 66, 67 and 68 (IP 68 is 25psi for 24hrs)

“Stay Connected” with



Liquid Tight Cordgrips

a PennEngineering® Company

Consult Heyco for Colors Other Than Black



HEYCo-molded™ Liquid Tight Break-Thru Plugs

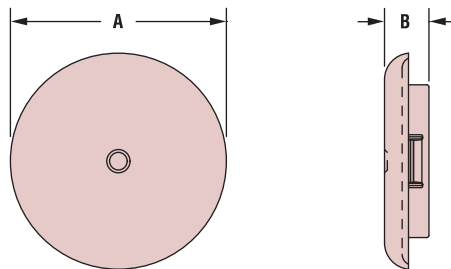
Mounting Hole Diameter Range: .500" (12,7 mm) to 1.500" (38,1 mm)*

PANEL DIMENSIONS				CABLE DIAMETER RANGE		PART NO. Black	PACKAGING		DESCRIPTION	PART DIMENSIONS		Overall Height	
Thickness at Locking Finger Steps	Mounting Hole Diameter*				BULK (Standard)		SMALL PACK **	A Head Diameter		B			
in. mm.	in. mm.	in. mm.	in. mm.	in. mm.				in. mm.	in. mm.				
With Five Locking Finger Steps – For Panels up to .063" (1,6 mm) Thick													
.02	0,5	.500	12,7	.08 - .20	2,0 - 5,1	C2008	500	10	LTBP 500-063	.92	23,4	.32	8,1
		.625	15,9	.13 - .38	3,3 - 9,5	C2012	500	10	LTBP 625-063	1.03	26,2		
.03	0,8	.750	19,1	.18 - .40	4,4 - 10,2	C2016	500	10	LTBP 750-063	1.15	29,2		
		.875	22,2	.13 - .45	3,3 - 11,4	C2020	500	10	LTBP 875-063	1.28	32,5		
.04	1,0	1.000	25,4	.20 - .72	5,1 - 18,2	C2022	500	10	LTBP 1000-063	1.43	36,3		
.05	1,2	1.093	27,8	.25 - .77	6,4 - 19,4	C2024	500	10	LTBP 1093-063	1.53	38,9		
.06	1,6												
With Seven Locking Finger Steps – For Panels from .063" (1,6 mm) to .250" (6,4 mm) Thick													
.06	1,6	.500	12,7	.08 - .20	2,0 - 5,1	C2058	500	10	LTBP 500-250	.92	23,4	.63	15,9
		.625	15,9	.13 - .38	3,3 - 9,5	C2062	500	10	LTBP 625-250	1.03	26,2		
.08	2,0	.750	19,1	.18 - .40	4,4 - 10,2	C2066	500	10	LTBP 750-250	1.15	29,2		
		.875	22,2	.13 - .45	3,3 - 11,4	C2070	500	10	LTBP 875-250	1.28	32,5		
.09	2,4	1.000	25,4	.20 - .72	5,1 - 18,2	C2072	500	10	LTBP 1000-250	1.43	36,3		
.13	3,2	1.093	27,8	.25 - .77	6,4 - 19,4	C2074	500	10	LTBP 1093-250	1.53	38,9		
.16	4,0												
.20	5,1	1.375	34,9	.30 - .95	7,6 - 24,1	C2080	500	10	LTBP 1375-250	1.80	45,7	.67	17,0
.25	6,4	1.500	38,1	.38 - 1.0	69,5 - 26,9	C2082	500	10	LTBP 1500-250	1.93	49,0		

Standard color black. Consult Heyco for other colors.

*Consult Heyco for other Mounting Hole Diameters. Our Axccl Rapid Response Team is ready to meet your requirements.

**To order Small Packs, please add the suffix -P to Part No.: e.g., C2008-P



Materials

Nylon 6/6 and TPE

Certifications

UL Recognized under the Component Program of Underwriters' Laboratories File E15331

Flammability Rating

HB

Temperature Range

-40°F (-40°C) to 212°F (100°C)

IP Rating

IP 67/68

Quick Specs



ALL NEW PRODUCTS!



HEYco-molded™ Liquid Tight Break-Thru Plugs

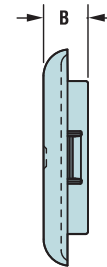
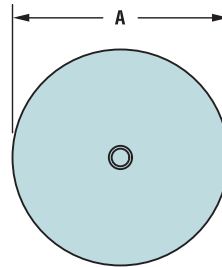
Mounting Hole Diameter Range: .500" (12,7 mm) to 1.093" (27,8 mm)

- These **co-molded** nylon and elastomer parts function as **Liquid Tight Plugs** with an IP 67/68 rating, yet can be pierced by wire, cable or tubing to function as **Bushings** with the same resulting IP 67/68 rating.
- For use in panels as thin as .020" (0,5 mm) and as thick as .063" (1,6 mm). Parts for thicker panels are under development.
- Provide liquid tight closure when used as a plug. When pierced, functions as a liquid tight bushing that converts raw edged holes to smooth, neat, insulated holes.
- Used as a liquid tight bushing, HEYco-molded Liquid Tight Break-Thru Plugs insulate and mechanically protect electrical and telecommunications cable, tubing, hose, rope, and utility lines.
- Locking fingers snap into holes with fingertip pressure.
- Locking fingers in fractional increments up to the maximum panel thickness.
- Withstands a push back force of greater than 35 pounds.
- Available in multiple sizes for use in .500" (12,7 mm) to 1.093" (27,8 mm) diameter holes.

PANEL DIMENSIONS				PART NO.	DESCRIPTION	PART DIMENSIONS			
Thickness at Locking Finger Steps		Mounting Hole Diameter*				A Head Diameter		B Overall Height	
in.	mm.	in.	mm.	Black		in.	mm.	in.	mm.
.020	0,5	.500	12,7	C2008	LTBP 500-063	.92	23,4	.32	8,1
.032	0,8	.625	15,9	C2012	LTBP 625-063	1.03	26,2		
.040	1,0	.750	19,1	C2016	LTBP 750-063	1.15	29,2		
.048	1,2	.875	22,2	C2020	LTBP 875-063	1.28	32,5		
.063	1,6	1.000	25,4	C2022	LTBP 1000-063	1.43	36,3		
		1.093	27,8	C2024	LTBP 1093-063	1.53	38,9		

Standard color black. Consult Heyco for other colors.

*Consult Heyco for other Mounting Hole Diameters. Our Axcell Rapid Response Team is ready to meet your requirements.



Quick Specs

Materials: Nylon 6/6 and TPE
 Flammability Rating: HB
 Temperature Rating: -40°F (-40°C) to 212°F (100°C)
 IP Rating: IP 67/68