

**FEATURES**

- ✘ 3.8x6mm of thinner type 2.5mm height
- ✘ Soft actuator with longer travel
- ✘ Choice of actuation force

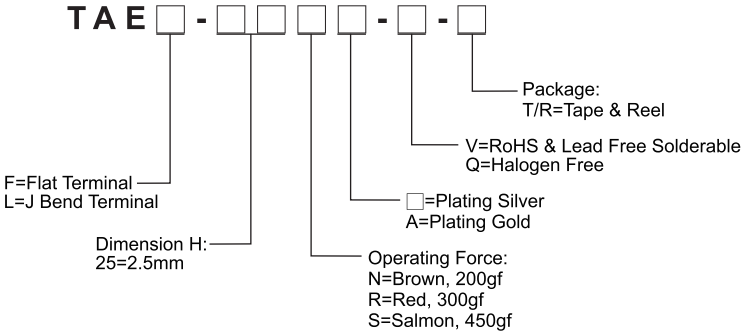
**APPLICATION**

- ✘ Car remote control
- ✘ Audio, OA equipment
- ✘ Instrumentation

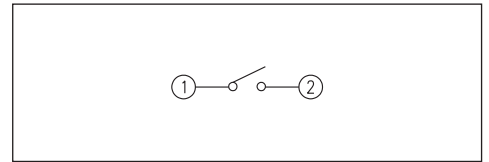
**SPECIFICATION**

Contact Rating	50mA, 12V DC
Contact Resistance	100mΩ max.
Insulation Resistance	100MΩ min. 100V DC
Dielectric Strength	300V AC/1 minute
Operating Force	200gf, Brown(N) 300gf, Red(R) 450gf, Salmon(S)
Travel	0.30mm, Brown(N) 0.35mm, Red(R) 0.45mm, Salmon(S)
Operating Life	100,000 cycles (S) 200,000 cycles (N/R)
Operating Temp.	-40°C ~ +85°C
Storage Temp.	-40°C ~ +85°C

**HOW TO ORDER**



**CIRCUIT**

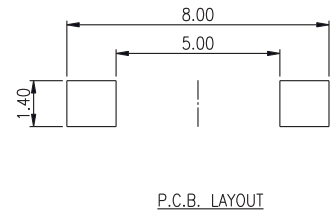
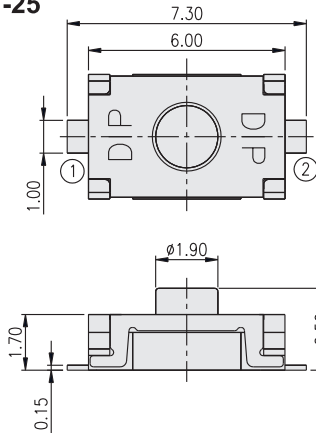


**PACKAGE**

<Tape & Reel>  
2700 pcs

TACT SWITCH

**TAEF-25**



**TAEL-25**

