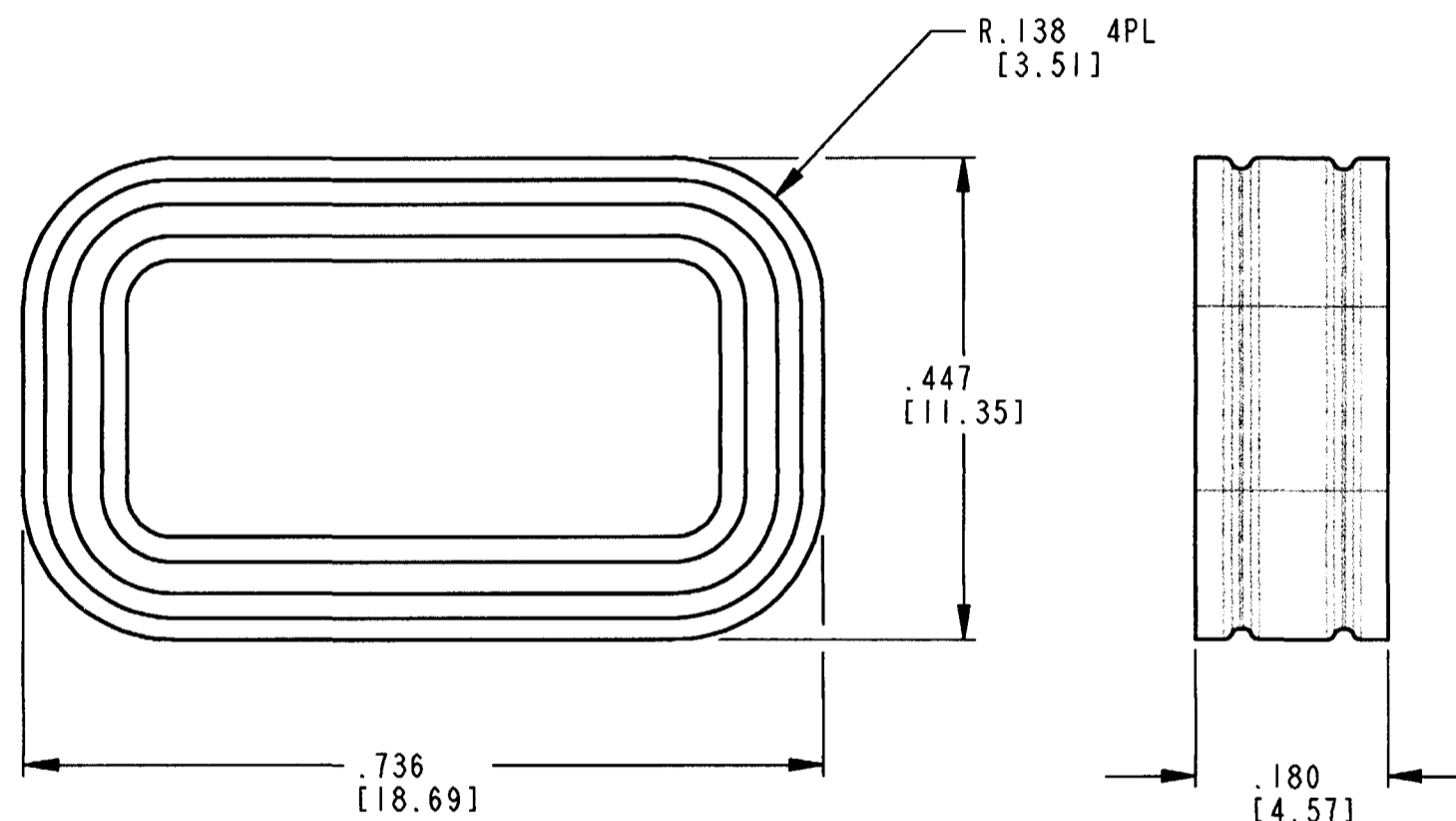


REV
A 1010-044-0306

| REVISIONS | | | |
|-----------|-----------------------------|---------|----------|
| SYM | DESCRIPTION | DATE | APPROVED |
| NC | NEW RELEASE PER E.O. P15070 | 5-21-96 | RDR |
| A | REVISED PER E.O. P17295 | 6-14-01 | RDR |
| | | | |



- 4. MATERIAL: RUBBER.
- 3. PART DESIGNED TO FIT DTM04-3P-**** (**** = ALL MODIFICATIONS). CONSULT FACTORY FOR MODIFICATIONS.
- 2. DIMENSIONS ARE $\pm .025$ [.64].
- 1. ALL DIMENSIONS ARE IN INCHES [mm].

NOTES: UNLESS OTHERWISE SPECIFIED

| SIGNATURE & DATE | |
|------------------|------------------------|
| DR | J. APOSTOL 04 JUN 2001 |
| CHK | L. Pal... 6/13/01 |
| PE | D. Meyer 6/13/01 |
| | |
| APPD | R. Reed 6-14-01 |
| SCALE | 6:1 WT |

INTERNAL SEAL
FOR 3 PIN
RECEPTACLE
COLOR: RED
DTM SERIES
ENVELOPE

| | |
|--|-----------------------|
| CP | MATL. CODE |
| The Deutch Company DEUTSCH I.P.D. 3850 INDUSTRIAL AVE. HEMET, CALIF. 92545 | |
| B | 1010-044-0306 |
| DWG SIZE | CODE 11139 SHEET OF |