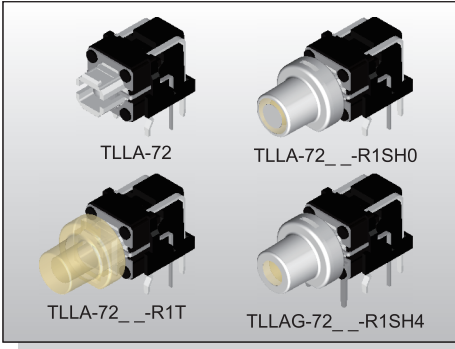


# ILLUMINATED SWITCH TL(L)A(G)-7 SERIES

**Tact Switch**  
**Illuminated**



ILLUMINATED SWITCH



## FEATURES

- ※Horizontal operation
- ※Various LED colors
- ※Options of different cap color & mark

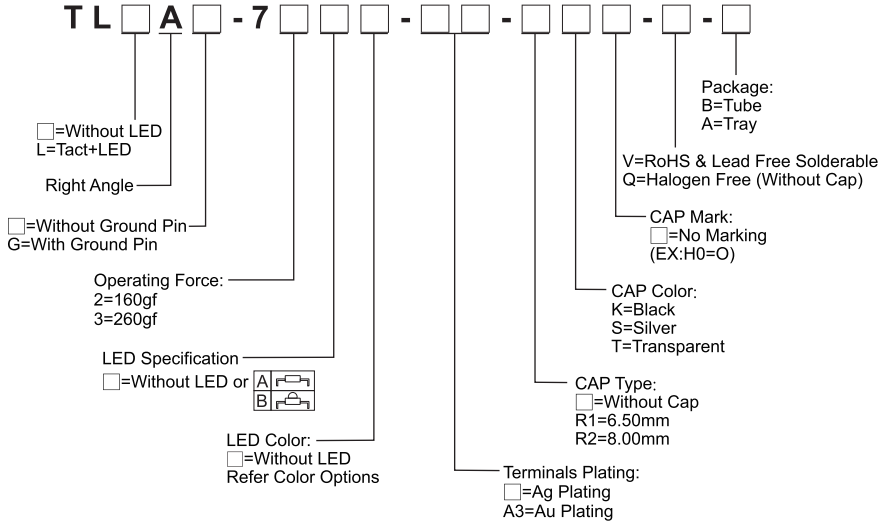
## APPLICATION

- ※Automotive
- ※Server
- ※Laptop, IPC

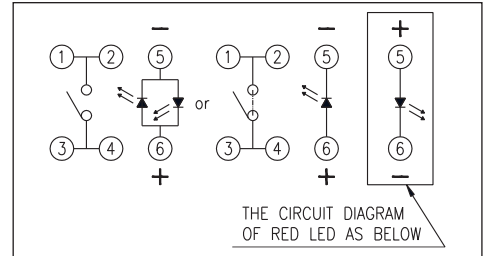
## SPECIFICATION

Contact Rating	50mA, 12V DC
Contact Resistance	100mΩ max.
Insulation Resistance	100MΩ min. 500V DC
Dielectric Strength	250V AC/1 minute
Operating Force	160±50gf / 260±50gf
Travel	0.2mm
Operating Life	500,000 cycles
Operating Temp.	-40°C ~ +85°C
Storage Temp.	-40°C ~ +85°C

## HOW TO ORDER



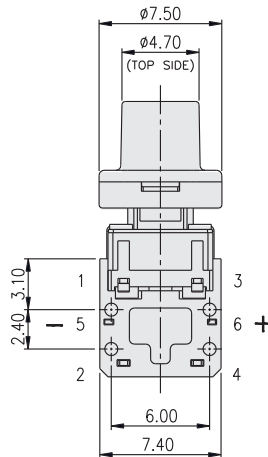
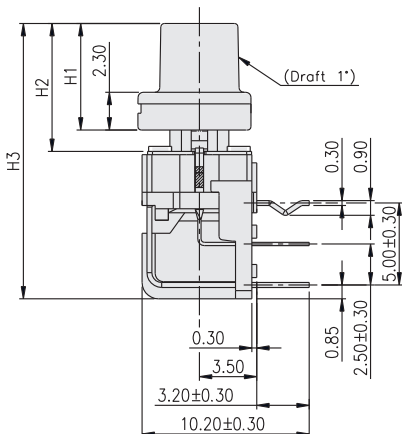
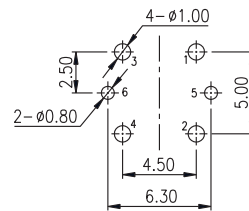
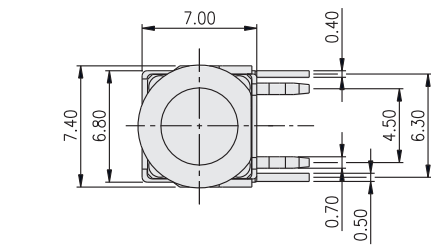
## CIRCUIT



## PACKAGE

- <Tray>  
TLLA-7□-A: 100 pcs.
- <Tube>  
TLLA-7□-B: 64 pcs.

## TLLA-72□□-R□



PART NO.	H1	H2	H3
TLLA-7□□□-□-R1□	6.50	7.80	16.80
TLLA-7□□□-□-R2□	8.00	9.30	18.30

## CAP Mark

	0	1	2	3	4	5	6	7	8	9
H	○	Ⓜ	Ⓢ	Ⓣ	●			Ⓜ		

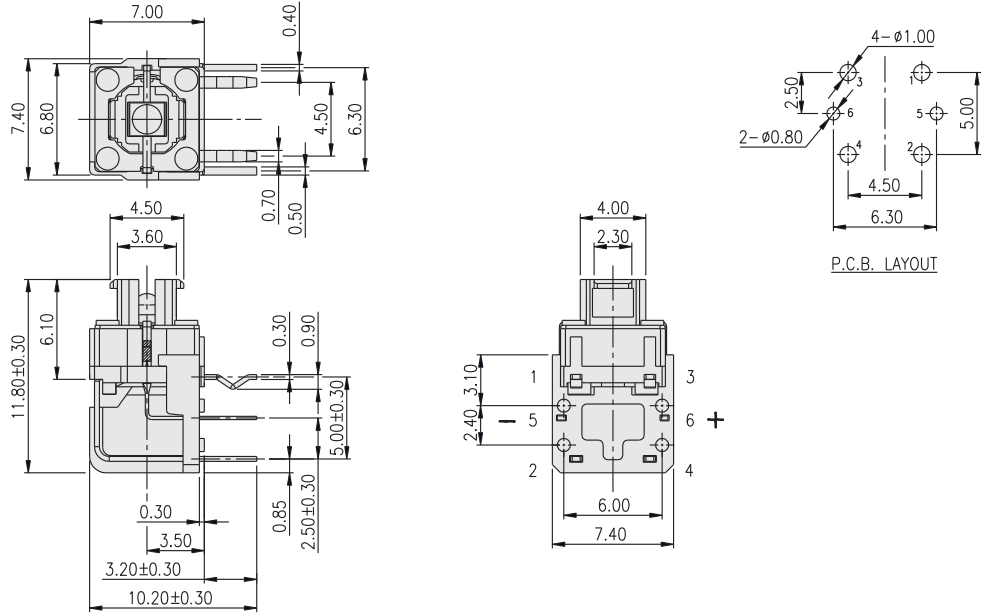
# ILLUMINATED SWITCH TL(L)A(G)-7 SERIES

Tact Switch  
Illuminated

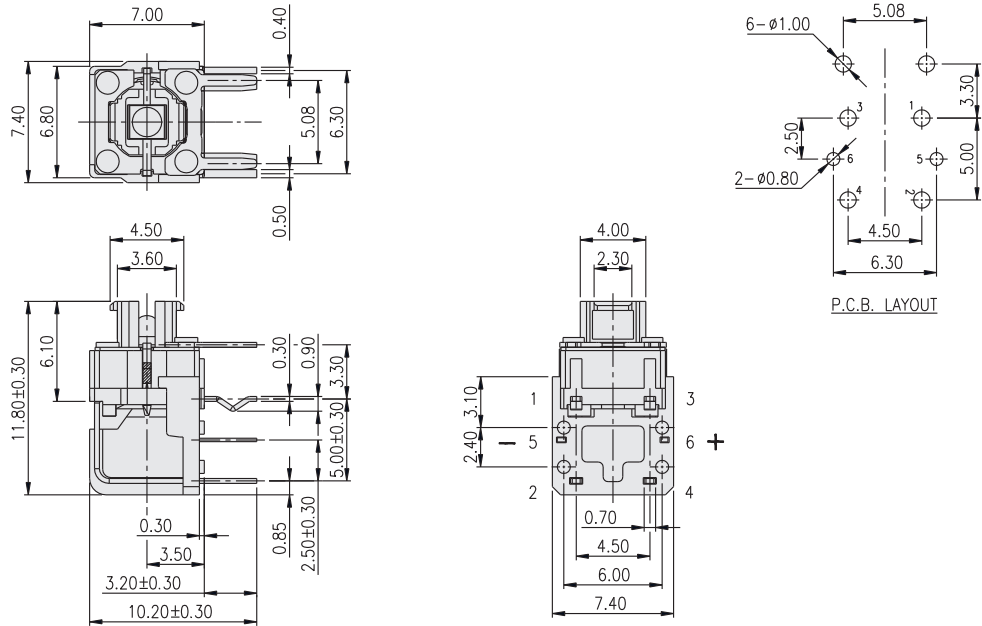


ILLUMINATED SWITCH

## TLLA-72



## TLLAG-7



### LED Color Options:

Part No.	Color	Dominant Wavelength $\lambda_p$ Typ.(nm)	Luminous Intensity $I_v$ (mcd)		Forward Voltage $V_f$ (V)		View Angle $2\cdot\theta_{1/2}$ (Degree)	
			Typ.		Typ.	Max.	A	B
			A	B				
B	Blue	470	70	1100	3.0	3.6	140°	30°
PG	Pure Gree	520	160	2500	3.2	3.6		
G	Yellow Green	570	30	550	2.0	2.3		
Y	Yellow	590	60	1500	2.0	2.3		
A	Soft Orange	605	50	1500	2.0	2.3		
R	Deep Red	640	25	800	2.0	2.3		
W	Cold White	X:0.26 / Y:0.23	350	550	3.0	3.6		