

PROPRIETARY NOTICE

THIS MATERIAL IS THE PROPERTY OF SELCO PRODUCTS AND MAY NOT BE USED, REPRODUCED, PUBLISHED OR DISCLOSED TO OTHERS WITHOUT EXPRESSED PERMISSION BY SELCO PRODUCTS FOR EACH AND EVERY INSTANCE

REVISIONS

SYMBOL	DESCRIPTION	ECO/ECR	DATE	DFT/APP
P1	PRELIMINARY RELEASE	4654	06/28/2017	K.M./E.P.

NOTES:

1. THERMOSTAT OPENS AT 400°F ±11°F (205°C ±6°C) AND MANUAL RESETTABLE
  - A. TOLERANCE SUBJECT TO CHANGE BASED ON APPLICATION
  - B. TEMPERATURE RATE OF RISE 1°F (.5°C) PER MINUTE
2. ELECTRICAL RATINGS:
  - 240VAC, 25 AMPS, RESISTIVE, 6,000 CYCLES
  - 250VAC, 16 AMPS, RESISTIVE, 6,000 CYCLES
  - 380VAC, 4 AMPS, RESISTIVE, 6,000 CYCLES
3. INSULATION RESISTANCE: 100M OHMS OR MORE (WITH 500VDC MEGGER)
4. CIRCUIT RESISTANCE: 50m OHMS OR LESS (INITIAL VALUE)
5. DIELECTRIC STRENGTH: 1,500VAC/1 MINUTE OR 1,800VAC/1 SECOND
6. TERMINALS: .250 x .032
7. ASSEMBLY IS ROHS COMPLIANT

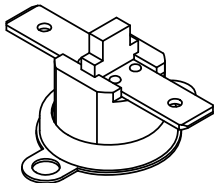
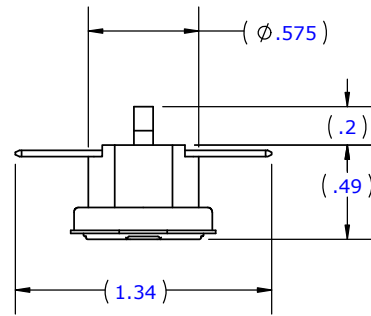
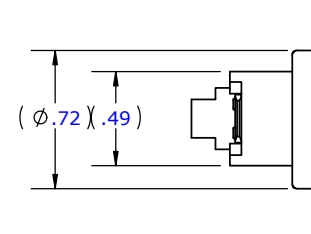
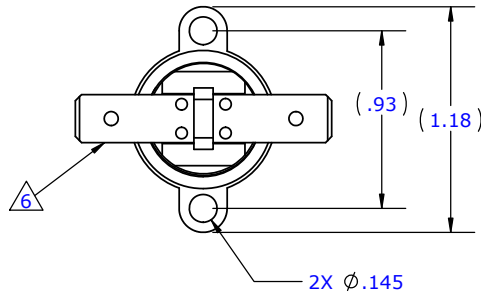
THERMOSTAT APPROVALS - UL FILE NO. E9977, CSA FILE NO. LR53590

Customer Approval


Customer Name: \_\_\_\_\_

Representative: \_\_\_\_\_

Signature: \_\_\_\_\_ Date: \_\_\_\_\_



**CONTROLLED DOCUMENT**  
**VERIFY REVISION**

MATERIAL	DRAWN BY	DATE	 8780 TECHNOLOGY WAY, RENO, NV 89521 800-257-3526			
N/A	K.McCRAY	06/28/2017				
FINISH	CHECKED BY	DATE	DESCRIPTION			
N/A	S.BARNEY	06/28/2017				
HEAT TREATMENT	PROJECT ENGINEER	DATE	TO-400-QCM THERMOSTAT, MANUAL RESET			
N/A	E.PEDROZA	06/28/2017				
X=SPECIFIED DIMENSIONS ARE IN INCHES [X]=SPECIFIED DIMENSIONS ARE IN MILLIMETERS	DOCUMENT CONTROL	DATE	SIZE	DWG. NO.	REVISION	
	A.CORDOVA	06/28/2017	A	TO-400-QCM	P1	
TOLERANCES UNLESS OTHERWISE POSTED			PRODUCT CLASS	SCALE	CODE INDET NO.	SHEET
INCHES: .X ±.020 (≥120 ±0.5) .XX ±.010 (30-120 ±0.3) .XXX ±.005 (≤30 ±0.2) ANGLES ± 1/2°			2K	N/A	1G5X3	1 OF 1