

客户名称 CUSTOMER: G001-300

产品承认书

SPECIFICATION FOR APPROVAL

产品类型 变压器式接线端子  
Product type : (Transformer Terminal Blocks)  
产品型号  
Part No. : TSCK4-02P-15-01A(H)  
客户型号  
Customer No. : \_\_\_\_\_

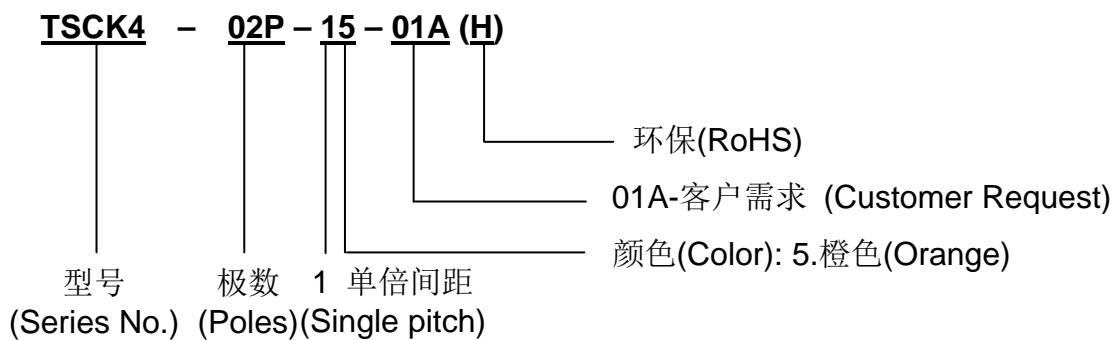
生产方 (Manufacturer)	审核(AUDIT)	设计(DESIGN)	备注(REMARKS)
	张玉华	吴宁可	
客户方 (Customer)	核准(APPROVAL)	主管(DIRECTOR)	备注(REMARKS)

(一) 技术参数 (Technical Data)

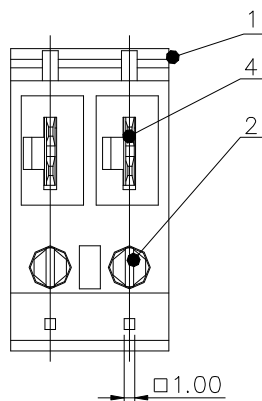
项 目 (Item)	数 据 (Data)		
测试标准(Test standard)	IEC60998-1/UL1059		
产品间距(Pitch) [mm]	7.5		
IEC60998-1 测试数据 (IEC60998-1 Test data)	/		
额定电压(Rated voltage) [V]	800		
额定电流(Rated current) [A]	32		
额定连接容量(Rated connection capacity)(solid/stranded) [mm <sup>2</sup> ]	0.2-4.0		
过压类别/污染等级/绝缘材料组别 (Surge voltage category/pollution degree/material group)	III/2/I		
工频耐压(Withstanding Voltage) [KV/min]	3.5		
额定扭矩(Rated torque) [N.m]	0.5		
UL1059 测试数据 (UL1059 Test data)	UL File Number E228872		
应用组别(Use group)	B	C	D
电压(Voltage) [V]	600	600	600
电流(Current) [A]	30	30	5
额定连接容量(Rated connection capacity) (solid/stranded) [AWG]	30-10		
额定扭矩 (Rated torque) [Lb. in]	4.43		
常用数据(General data)			
剥线长度(Stripping length) [mm]	10		
螺丝(Screw)	M3		
阻燃等级(Inflammability class)UL94	V0		
环境温度(Ambient temperature) [°C]	-40~+105		
相对湿度(Relative humidity)	5%-95%		
海拔 (Altitude)	2000m 以下 40Kpa~80KPa		
抽样检验标准(Inspection standard)	GB/T 2828.1-2012		
允收水准(AQL)	0.65		
保质期(Warranty)	12 months		

宁波高松电子有限公司  
NINGBO DEGSON ELECTRICAL CO., LTD.

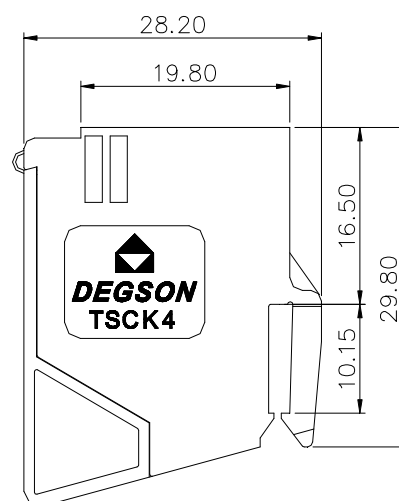
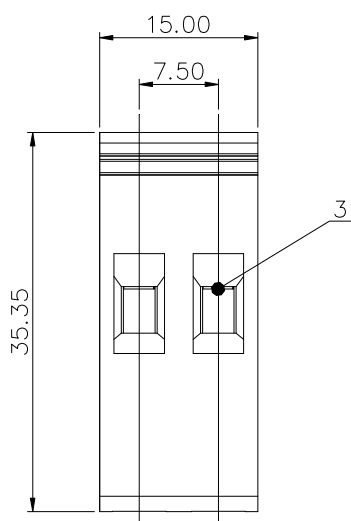
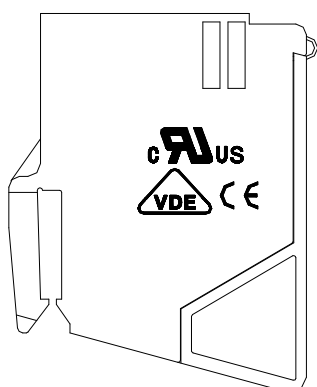
## (二) 型号 (Type)



## (三) 图纸 (Drawing)



Pitch Range In mm		Nominal Dimension Range In mm						—	∩	∇
TO	Over 6 TO 10	Over 10 TO 24	TO	Over 30 TO 60	Over 60 TO 100	Over 100 TO 150	Over 150	0.1/10		
±0.15	±0.25	±0.20	±0.30	±0.50	±0.70	±1.00	±1.30	±2'		



02:位数 (Pole)

宁波高松电子有限公司  
NINGBO DEGSON ELECTRICAL CO., LTD.

#### (四) BOM 表 (BOM table)

序号 (No.)	名称 (Name)	材 质 (Material)	表面处理 (Surface treatment)	数量 (Amount)
(1)	塑件 (Housing)	PA66 UL94 V-0	/	1
(2)	螺丝 (Screw)	黄铜棒 (Brass Rod)	镀镍 (Ni Plated)	1
(3)	铜方块 (Cage)	黄铜棒 (Brass Rod)	镀镍 (Ni Plated)	1
(4)	焊脚 (Pin Header)	紫铜带 (Copper)	镀锡 (Sn Plated)	1

#### (五) RoHS 2011/65/EU 环保标准 (RoHS 2011/65/EU Data)

组成 (Components)	材料 (Material)	测试报告 号 (Test report No.)	测试日期 (Testing Period) (期限一年) (Valid Period One Year)	RoHS 2011/65/EU 有害物质上限含有率 (PPM) (Hazardous substance limit content of RoHS 2011/65/EU)										环保 ROSH 是/否 Yes/N o	
				铅(Pb)	镉 (Cd)	汞 (Hg)	六价 铬 (Cr6 +)	多溴 联苯 (PBB )	多溴 二 苯醚 (PB DE)	六溴 环 十二 烷 (H BCD D)	邻 苯二甲 酸(2- 乙基己 基)酯 DEHP	邻 苯二甲 酸二 丁 酯 (D BP)	邻 苯二甲 酸丁 苄 酯 (BB P)		
塑件 (Housing) 橙色 (Orange)	PA66	NGBEC2 0041040 08	2020.08.31	1000	100	1000	1000	1000	1000	1000	1000	1000	1000	1000	是 (Yes)
螺丝 (Screw)	黄铜棒 (Brass Rod)	NGBEC2 0051968 03	2020.11.06	40000	100	1000	1000	/	/	/	/	/	/	/	是 (Yes)
	镀镍 (Ni Plated)	NGBEC2 0051968 12	2020.11.06	1000	100	1000	1000	/	/	/	/	/	/	/	是 (Yes)
铜方块 (Cage)	黄铜棒 (Brass Rod)	NGBEC2 0051968 03	2020.11.06	40000	100	1000	1000	/	/	/	/	/	/	/	是 (Yes)
	镀镍 (Ni Plated)	NGBEC2 0051968 12	2020.11.06	1000	100	1000	1000	/	/	/	/	/	/	/	是 (Yes)
焊脚 (Pin Header)	紫铜带 (Copper)	NGBEC2 0051968 04	2020.11.06	1000	100	1000	1000	/	/	/	/	/	/	/	是 (Yes)
	镀锡 (Sn Plated)	NGBEC2 0051968 13	2020.11.06	1000	100	1000	1000	/	/	/	/	/	/	/	是 (Yes)

宁波高松电子有限公司  
NINGBO DEGSON ELECTRICAL CO., LTD.

## (六) 产品认证 (Certification)

### 1. UL 证书(UL certificate)

UL Product iQ™



# XCFR2.E228872 - Terminal Blocks - Component

## Terminal Blocks - Component

See General Information for Terminal Blocks - Component

**NINGBO DEGSON ELECTRICAL CO LTD**

NO.1585 XIAOLIN ROAD

CIXI

NINGBO, ZHEJIANG 315321 CHINA

E228872

Cat. No.	Wire Range	Wire Type	FW	TQ Lb In.	V	A	UG	CA
TSCK4*zz	10-30, str/sol	Cu	2	6.0	600	30	B, C	2(120), 4
						Note A	D	

\*zz - followed by one or two digit number, followed by P, may be followed by two digit numbers or one number and one letter, followed by 00-9999999999, followed by A(H), B(H)....., Z(H).

Marking: Company name or trademarks  or  or  **DEGSON**® or "DEGSON" or "GAOSONG" and catalog designation (catalog designation may appear on shipping carton).

Last Updated on 2020-04-22

宁波高松电子有限公司  
NINGBO DEGSON ELECTRICAL CO., LTD.

## (七) 接线方法 (Wiring method)

推荐剥线长度 10mm; Recommended stripping length 10mm;

1.) 单股硬导线, 剥好对应长度的导线后, 用额定的扭力拧紧;

For solid wire, stripping wire to the appointed length, then tightening with rated torque.

2.) 多股柔性导线, 剥好对应长度的导线后, 可以直接连接或者配套使用对应标准规格的冷压端头, 用额定的扭力拧紧;

For stranded wire: stripping wire to the appointed length, mating with corresponding type of ferrule, then tightening with rated torque.

注意事项: 扭力要平稳, 不能使用爆发力; ( Tightening process should be steady, can' t use explosive force.)

TSCK4-02P-15-01A(H) 接线端子版本修订页

TSCK4-02P-15-01A(H) Terminal blocks revised version of page

序号 (No.)	版本 (Version)	更改内容 (Changes to the content)	更改日期 (Change date)
1	A	新归档(New Archive)	2021.04.21
2			
3			
4			