

### DIMENSIONS

<b>A</b>	NUMBER OF EQUAL SPACES	X .150 + .290
<b>B</b>	NUMBER OF EQUAL SPACES	X .150
<b>C</b>	NUMBER OF EQUAL SPACES	X .150 + .200

REVISIONS			
REV	DESCRIPTION	DATE	APPROVED
A	INITIAL RELEASE	07-17-96	JWM
B	SEE ECN 90436	11-10-97	JWM

### NOTES:

#### 1. MATERIALS AND FINISH:

INSULATOR- GLASS FILLED THERMO-PLASTIC  
 POLYESTER, 94W-0 RATED, BLACK.  
 CONTACTS- PHOSPHOR BRONZE  
 CONTACT PLATING- .000030 Au OVER .000050 Ni ON  
 CONTACT POINT, TAIL AND COMPLIANT SECTION .000100  
 MATTE FINISH 60/40 Sph.

#### 2. ELECTRICAL CHARACTERISTICS:

CONTACT RESISTANCE:  
 CONTACT TO DAUGHTER CARD- 10 MILLIOHMS.  
 COMPLIANT SECTION TO P.T.H.- 2 MILLIOHMS.  
 DIELECTRIC WITHSTANDING VOLTAGE- 1800 VAC.  
 INSULATION RESISTANCE- 5000 MEGOHMS.  
 CONTACT CURRENT RATING- 3 AMPS AT 30°C.

#### 3. MECHANICAL CHARACTERISTICS:

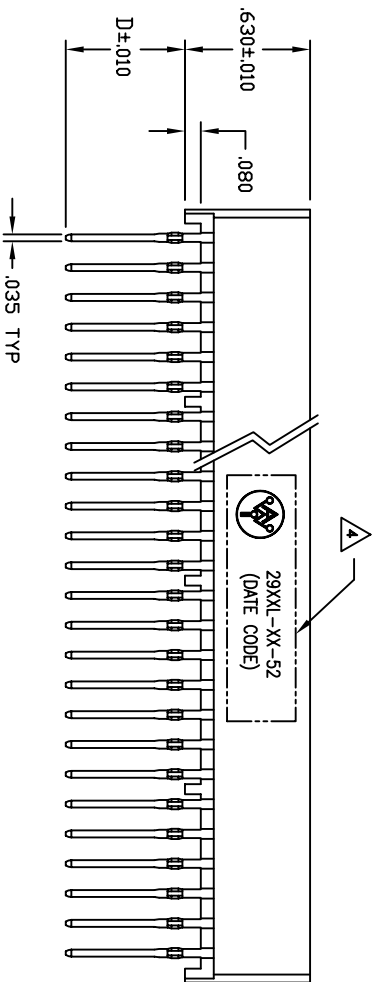
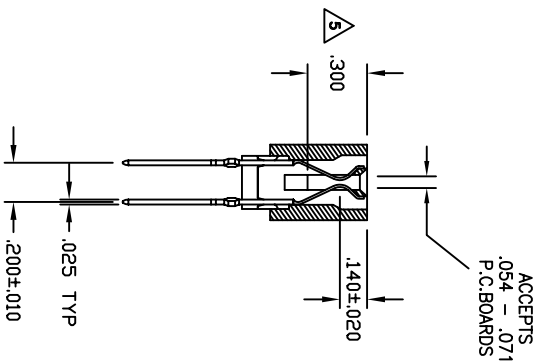
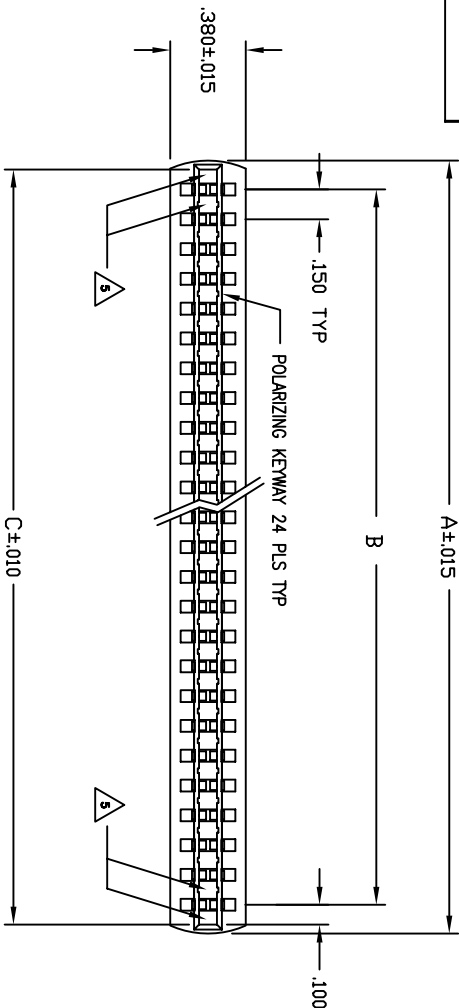
OPERATING TEMPERATURE- -55° TO +125°C.  
 DURABILITY- PER BELLCORE TR-NWT-000078.

#### HOLE SIZE REQUIREMENTS:

DRILLED HOLE DIA. .0533±.001  
 COPPER PLATING: .001 TO .003  
 TIN-LEAD PLATING: .0001 TO .0008  
 FINISHED HOLE DIA. .047 <sup>+0.002</sup><sub>-0.002</sub>

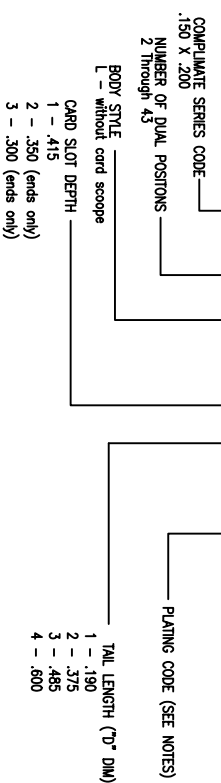
MARKING AS SHOWN.

300 and .350 CARD SLOT DEPTH CONTROLLED  
 BY THESE SURFACES ONLY.



### CUSTOMER DRAWING

### PART NUMBERING



<b>APPROVED</b> NAME: JWM DATE: 07-96 CHECKED: YL DATE: 07-96 QUALITY: WBK DATE: 07-96 APPROVED: JWM DATE: 07-96		ALL DIMENSIONS ARE IN INCHES. TOLERANCES: DECIMAL .XX ±.015 .XXX ±.005 ANGLE ±1/2°
TITLE: COMPLIANT PIN PRESS FIT CARD EDGE CONNECTOR .150 X .200 CENTERS A.W. Industries, Incorporated 6788 N.W. 17th AVENUE Fort Lauderdale, FL 33309		SIZE: C SCALE: NONE FILE NO: 03-0109-1B SHEET: 1 OF 1