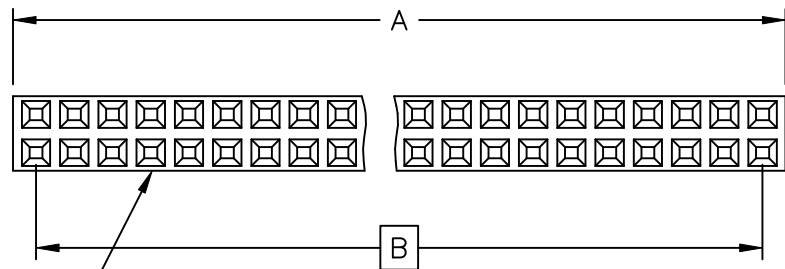


| Rev | Description | Date | By |
|-----|--|----------|-----|
| L | REVISED & REDRAWN - KEYED VARIATIONS ADDED | 05/22/02 | JSC |



SEE VIEW F FOR POLARIZATION/KEYING OPTIONS

| TABLE I - DIMENSIONS | | | | |
|----------------------|-------------|----------------|--------|-------|
| PART NUMBER | DESIGNATION | POSITIONS (2X) | A±.010 | B |
| PC232--1-- | J1 - J1/P1 | 32 | 3.220 | 3.100 |
| PC220--1-- | J2 - J2/P2 | 20 | 2.020 | 1.900 |

MATERIALS:

HOUSING: HIGH TEMPERATURE THERMOPLASTIC, UL RATED 94-V0
CONTACT: PHOSPHOR BRONZE ALLOY
SOLDER: TIN-LEAD (63-37)
SOLDER CLIP: ALUMINUM ALLOY

CONTACT FINISH:

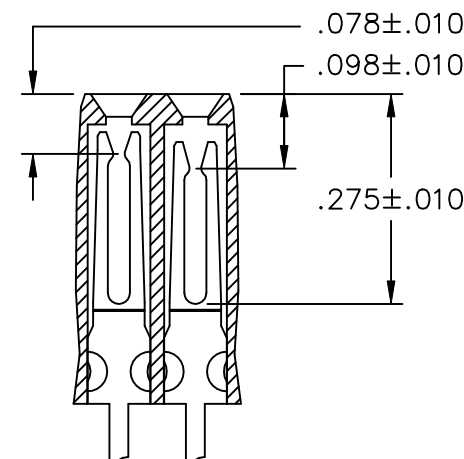
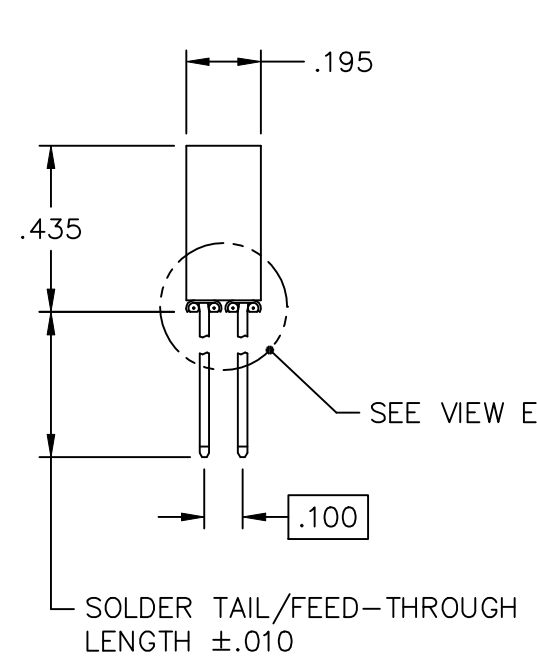
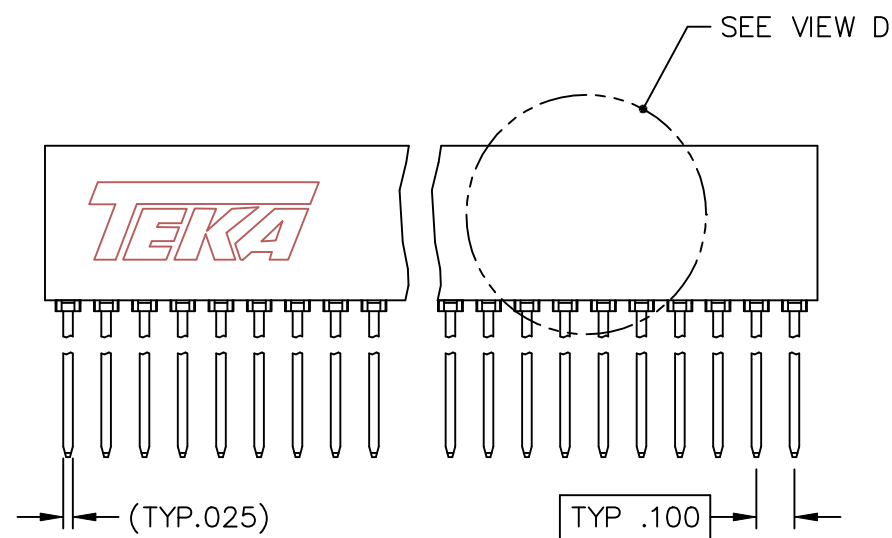
FEMALE INTERFACE: (SEE TABLE II)
SOLDER TAIL/FEED THROUGH: (SEE TABLE II)
UNDERPLATE: 50 MICRONS MIN NICKEL

PERFORMANCE CHARACTERISTICS - MECHANICAL

INSERTION FORCE: 2.5 OZ PER CONTACT MAX AVG
WITHDRAWAL FORCE: 1 OZ MIN AVG
NORMAL FORCE: 50 GRAMS MIN (PER BEAM) EOL
DURABILITY: 25 CYCLES MINIMUM
OPERATING TEMP: -55°C - 85°C

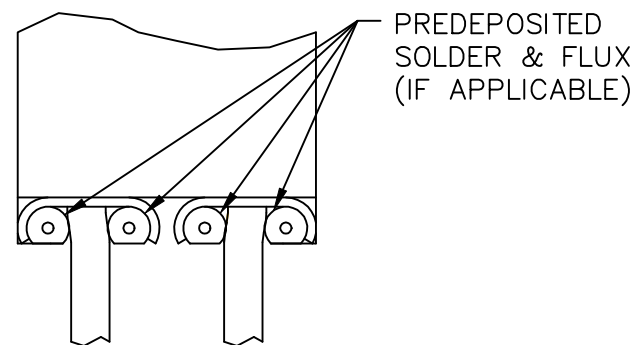
PERFORMANCE CHARACTERISTICS - ELECTRICAL

CONTACT RESISTANCE: 20 MILLIOHMS MAX INITIAL W/
30 MILLIOHMS MAX AFTER TEST
CURRENT CAPACITY: 3 AMPS MAX PER CONTACT
DIELECTRIC STRENGTH: 1000 VAC
INSULATION RESISTANCE: 10,000 MEGAOHMS MIN

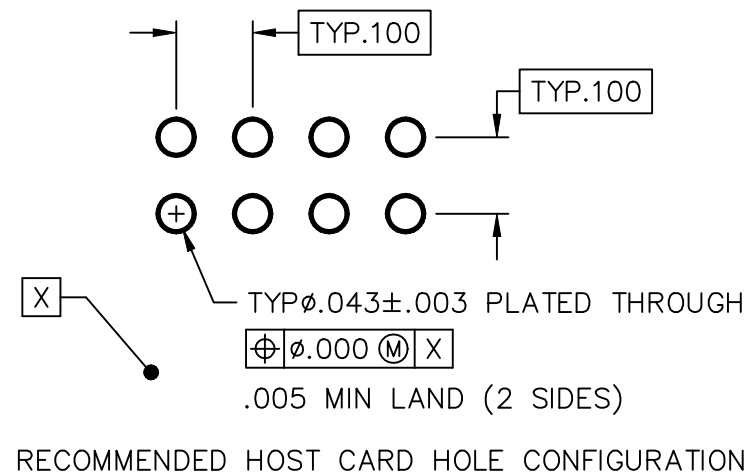



VIEW D - SCALE=4:1

LOW INSERTION FORCES ARE ACHIEVED THROUGH A STEPPED INSERTION

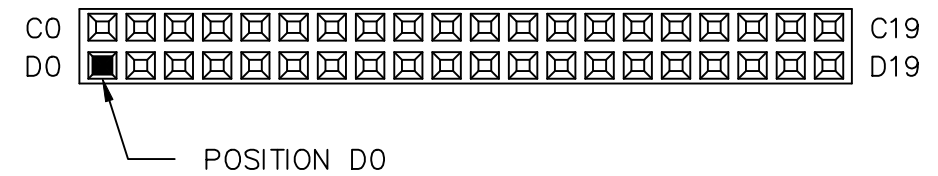
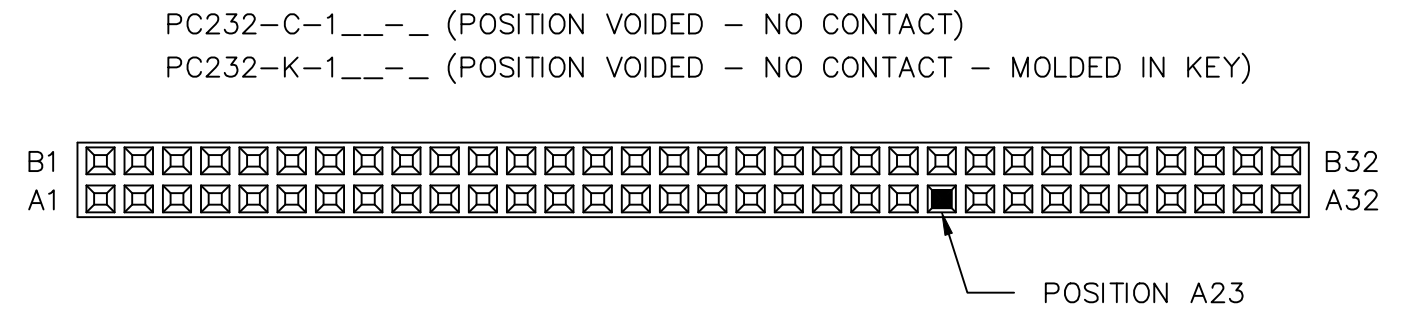
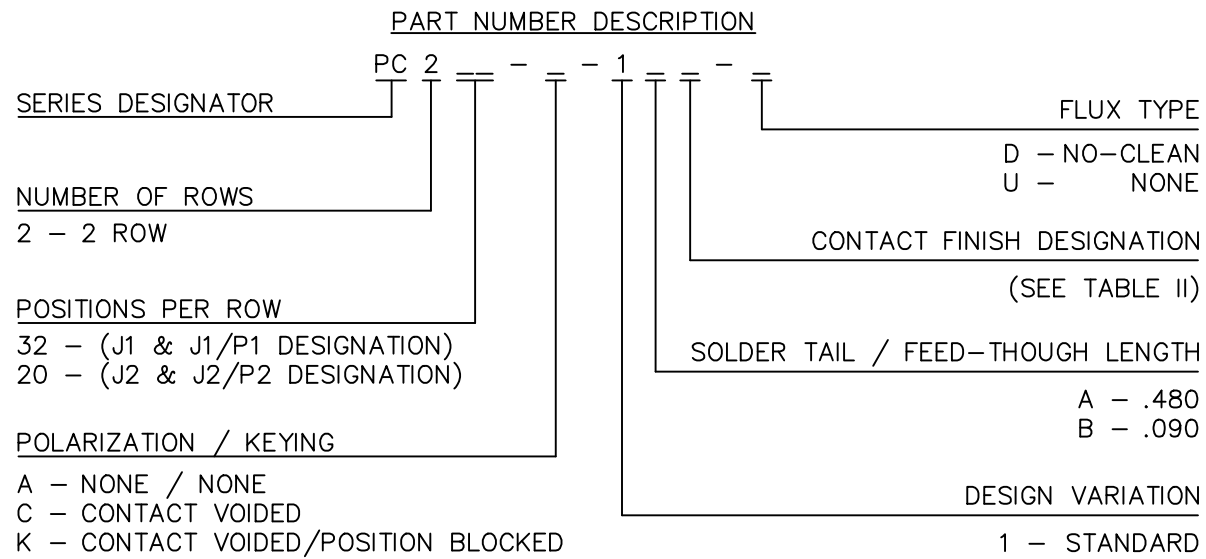


VIEW E - SCALE=8:1



| | | | |
|--|--|----------------|--|
| Unless otherwise specified: All dimensions are: Inches [mm] | Drawn by: J CACHINA | Date: 02/04/98 |  AN INTERPLEX INDUSTRIES CO. 100 PIONEER AVE WARWICK, R.I. 02888 TEL: (401) 785-4110 FAX: (401) 781-5730 E-MAIL: sales@tekais.com |
| | Checked by: JSC Date: 02/04/98 | | |
| -Tolerances- No of places IN [mm] one ±.1 ±2,54 two ±.02 ±0,5 three ±.005 ±0,13 Angular ±1° | Title: SOLDER BEARING PC\104 CONNECTOR | | Part No: PC2--1-- |
| | Ref No: S98024 | Scale: 2:1 | Sheet 1 of 2 |

| Rev | Description | Date | By |
|-----|-----------------------------|----------|-----|
| L | ALL REVISIONS - SEE SHEET 1 | 05/22/02 | JSC |



PC220-C-1___-__ (POSITION VOIDED - NO CONTACT)
PC220-K-1___-__ (POSITION VOIDED - NO CONTACT - MOLDED IN KEY)

| DESIGNATION | FEMALE INTERFACE | SOLDER TAIL / FEED-THROUGH |
|-------------|-----------------------|----------------------------|
| 9 | GOLD - 30 MICROINCHES | GOLD - 30 MICROINCHES |
| 7 | GOLD - 20 MICROINCHES | GOLD - FLASH |
| 6 | GOLD - 30 MICROINCHES | TIN-LEAD - 100 MICROINCHES |
| 5 | GOLD - 20 MICROINCHES | TIN-LEAD - 100 MICROINCHES |

VIEW F - POLARIZATION/KEYING

NOTES: UNLESS OTHERWISE SPECIFIED

- 1 INTERPRET THIS DRAWING IN ACCORDANCE WITH ASME Y14.5M-1994
- 2 THIS PRODUCT CONFORMS TO ALL APPLICABLE PC\104 CONNECTOR SPECIFICATIONS.
- 3 FOR OTHER SIZES, FINISHES OR ADDITIONAL DATA CONTACT TEKA'S CUSTOMER SERVICE DEPARTMENT.

| | | |
|---|-------------------|--|
| Drawn by: J CACHINA | Date: 02/04/98 | AN INTERPLEX INDUSTRIES CO. 100 PIONEER AVE WARWICK, R.I. 02888 TEL: (401) 785-4110 FAX: (401) 781-5730 E-MAIL: sales@tekais.com |
| Checked by: JSC | Date: 02/04/98 | |
| Title: SOLDER BEARING PC\104 CONNECTOR | | Part No: PC2___-__-1___-__ |
| Ref No: S98024 | | Scale: 2:1 Sheet 2 of 2 |