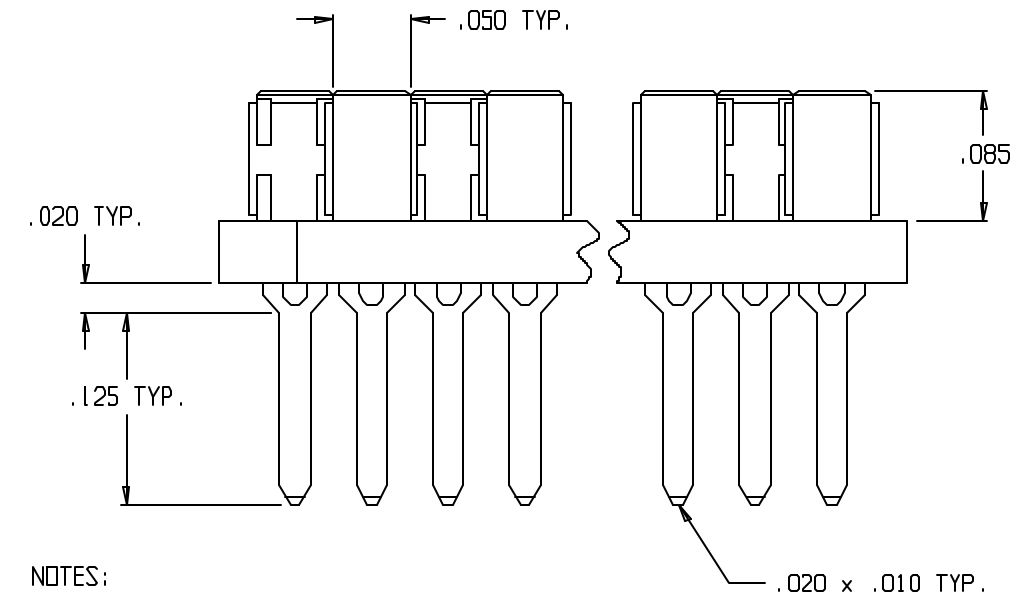
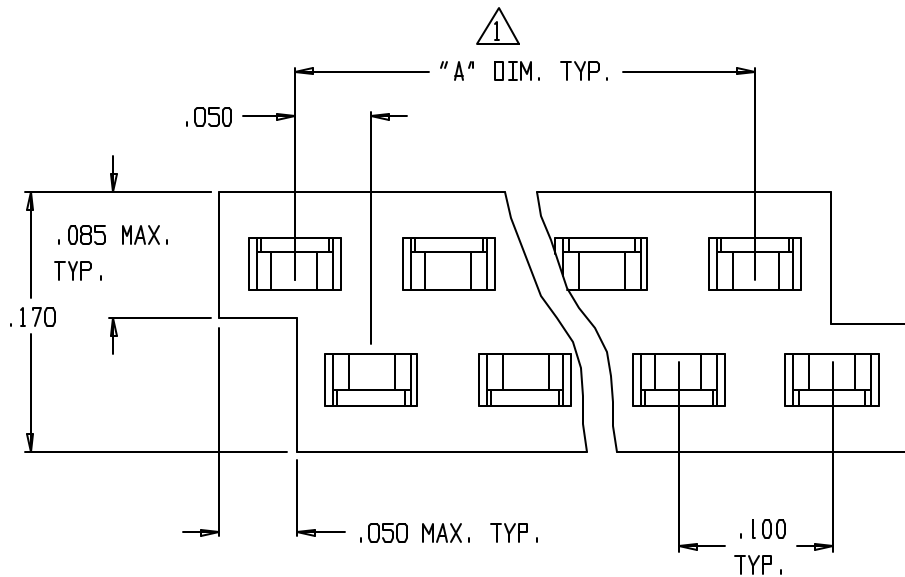


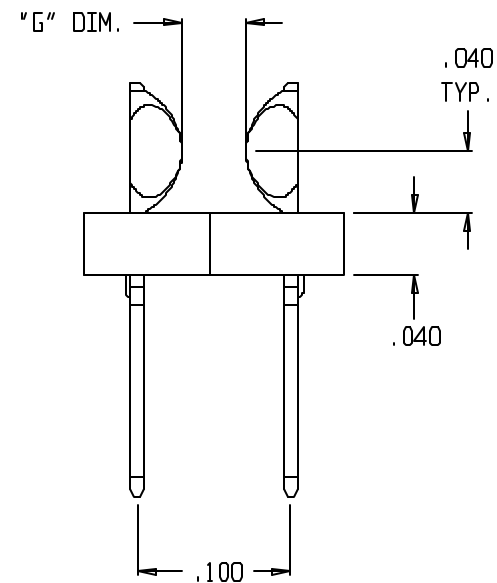
Rev.	Revision	Date	By
1	RELEASED PER ECN 95-033	10/06	T. G.



ORDERING CODE:

PART # EA22 XX -D XX C -OOC

SERIES _____
NUMBER OF POSITIONS _____
PER ROW (10 - 50) _____
"G" DIMENSION _____
45 = .045
56 = .056
SOLDER / FLUX TYPE _____
C = Sn60 Pb40 RMA
FOR OTHER TYPES, CONSULT FACTORY



NOTES:

1 "A" DIMENSION EQUALS NUMBER OF POSITIONS PER ROW TIMES .100 MINUS .100. SIZES RANGING FROM 10 TO 50 POSITIONS PER ROW ARE AVAILABLE.

2. MATERIAL: HOUSING - HIGH TEMPERATURE FIBERGLASS REINFORCED THERMOPLASTIC
CONTACT - COPPER ALLOY
FINISH - 150 MICROINCHES TIN/LEAD.

NET ASSY Unless otherwise specified dimensions are in inches. Tolerances are: Fractions Decimals Angles $\pm .004$ $\pm .005$ $\pm 1^\circ$ All dimensions shown are other plating. Remove burrs and sharp edges.		Material: Spec: Finish: Spec:	Drawn by: T. GRAY Checked by: Date: 10/06/95	TEKA AN INVERTEK INDUSTRIES CO. TEL: (401) 775-4100 FAX: (401) 771-9731	100 FINDER AVE. BROOK, R.I. 02801
Title: LEFT STAGGER EDGE CLIP ASSEMBLY	Part No.: EA22XX-DXXC-OOC	Scale: 10 : 1	Sheet: 1	of: 1	