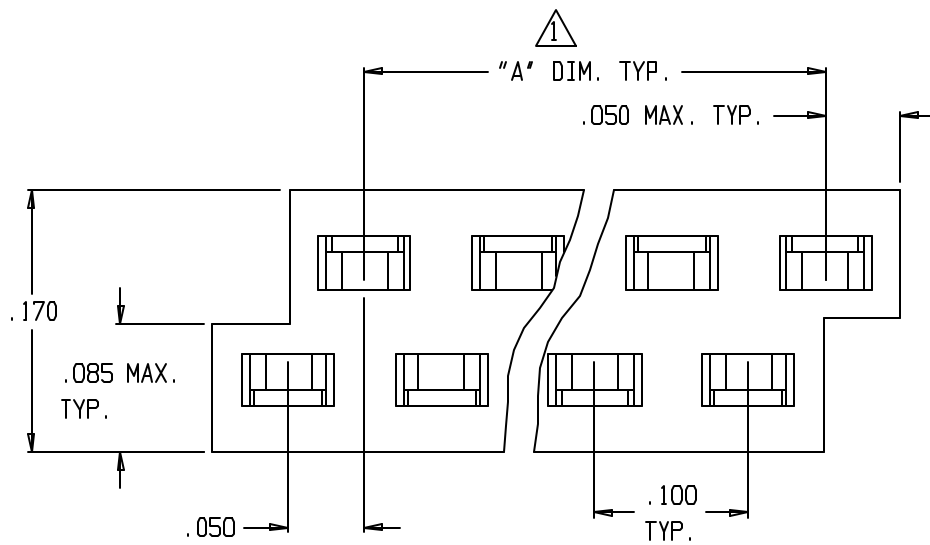


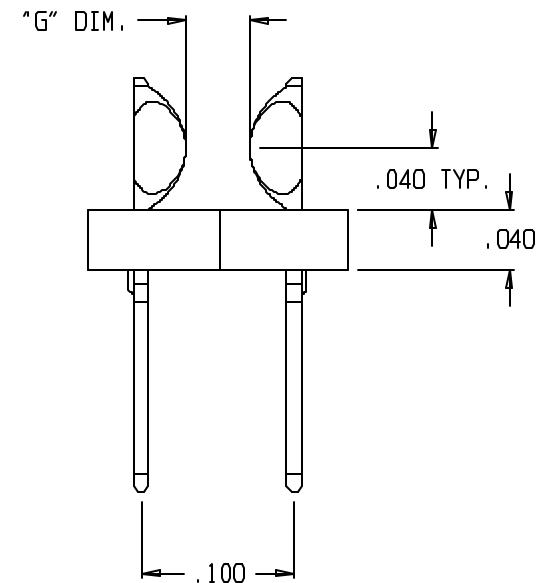
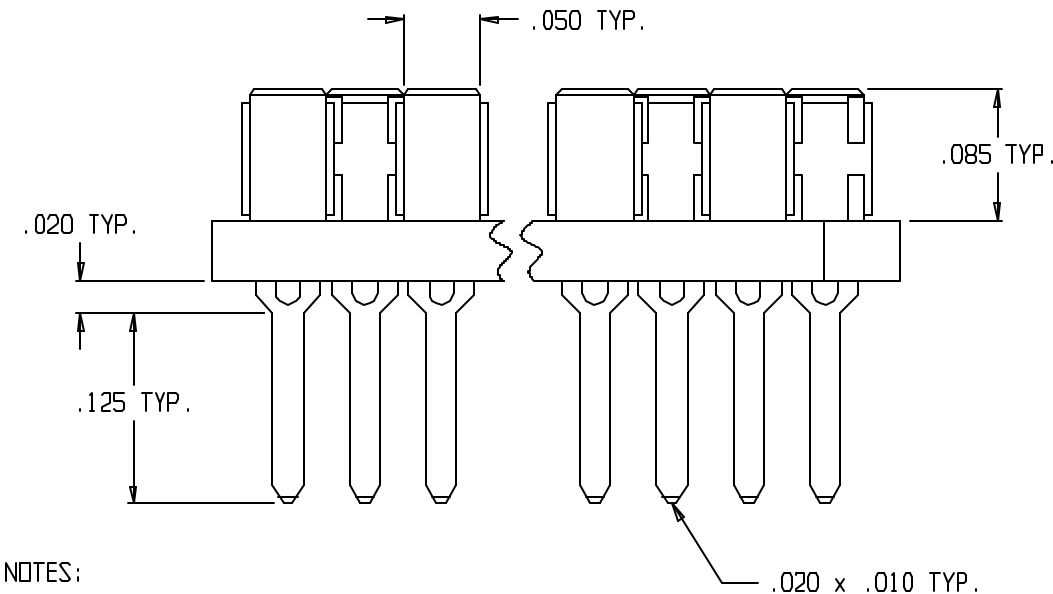
Rev.	Revision	Date	By
1	RELEASED PER ECN 95-033	10/06/95	G.



ORDERING CODE:

PART # EA26 XX -D XX C -OOC


SERIES _____
NUMBER OF POSITIONS
PER ROW (10 TO 50)
"G" DIMENSION _____
45 = .045
56 = .056
SOLDER / FLUX TYPE _____
C = Sn60 Pb40 RMA
FOR OTHER TYPES, CONSULT FACTORY



NOTES:

1. "A" DIMENSION EQUALS NUMBER OF POSITIONS PER ROW TIMES .100 MINUS .100. SIZES RANGING FROM 10 TO 50 POSITIONS PER ROW ARE AVAILABLE.

2. MATERIAL: HOUSING - HIGH TEMPERATURE FIBERGLASS REINFORCED THERMOPLASTIC
CONTACT - COPPER ALLOY
FINISH - 150 MICROINCHES TIN/LEAD.

NET ASSY		Material:	Drawn by:	Date:	 AN INVERFLY INDUSTRIES CO. TEL: (401) 775-4100 FAX: (401) 771-9731	100 FINDER AVE. MIDDLETOWN, R.I. 02839
Unless otherwise specified dimensions are in inches. Tolerances are: Fractions Decimals Angles ±.004 ±.005 ±1"		Specs:	T. GRAY	10/06/95		EA26XX-DXXC-OOC
All dimensions shown are other plating. Remove burrs and sharp edges.		Finished:	Title: RIGHT STAGGER EDGE CLIP ASSEMBLY		Scale: 10 : 1	Sheet 1 of 1
Rev.:	File Name: EA26XXR.L	Lead's Ack'd:	Ref No.:			