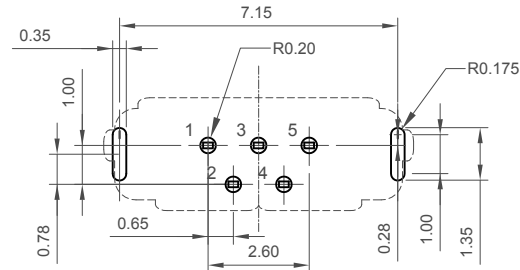
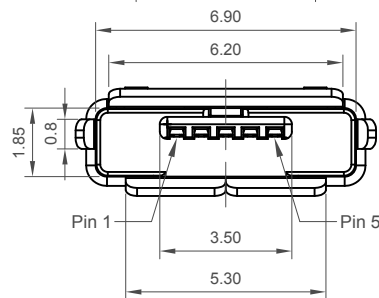
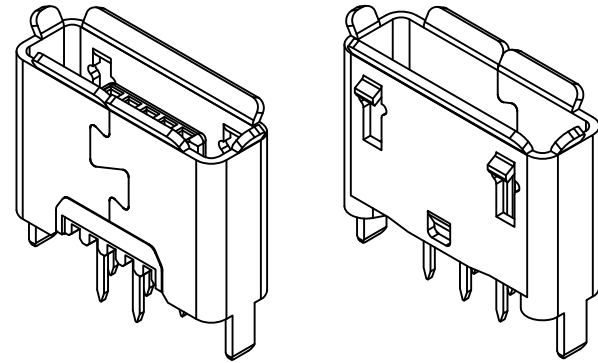
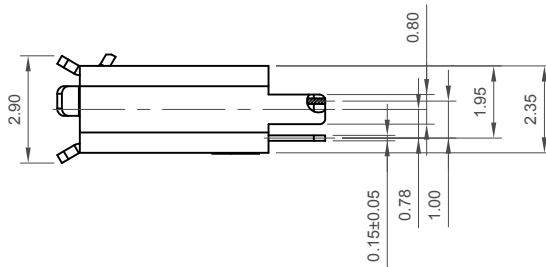
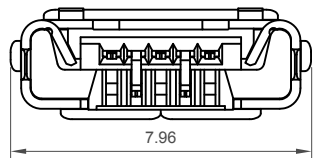
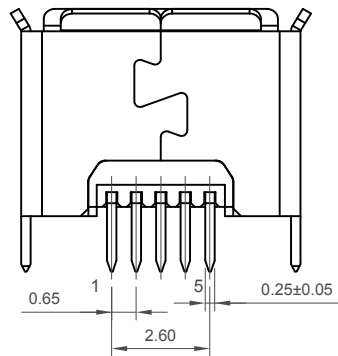


Designed to comply with physical, electrical and environmental requirements of Micro USB Standard (USB2.0), A/B types support USB On-The-Go (OTG) interface.

If you seek longer shell stakes for a thicker PCB (for example 1.60mm (.062")) please see USB3106.



**Recommended PCB Layout**  
As viewed from component side General Tolerance: ±0.05  
□ Component Outline



Ordering Grid

**USB3105** - **30** - **A** Request Samples and Quotation

**Contact Plating**  
30 = 30µ" Gold

**Packing Options**  
A = Tape & Reel  
(1.5K per Reel)

**Specifications 规格:**

**Materials 材料:**

Plastic Housing 塑胶外壳: LCP, UL94V-0, Black, LCP, UL94V-0 黑色  
Contact Terminal 接触端子: Copper Alloy 铜合金  
Metallic Shell 金属外壳: Stainless Steel 不锈钢 SUS304 T=0.2mm

**Finish 表面处理:**

Underplating 底层电镀: Nickel 镍 100µ" min.  
Plating 电镀:  
Contact Area 接触面积: 30µ" Gold plating, 30µ" 镀金  
Solder Tails 焊接末端: Gold Flash 闪金  
Metallic Shell 金属外壳: Nickel 镍 100µ" min.

**Electrical 电气规格:**

Voltage Rating 电压额定值: 30V  
Current Rating 电流额定值: Signal (Pins 2,3,4) 信号: 1.0 A  
Power (Pins 1,5) 电源: 1.8 A  
Operating Temperature 工作温度: -55°C to +85°C  
Contact Resistance 接触电阻值: 30 mΩ max.  
Insulating Resistance 绝缘电阻值: 1000 MΩ min.  
Dielectric Withstand Voltage 耐电压: 100 V AC/minute

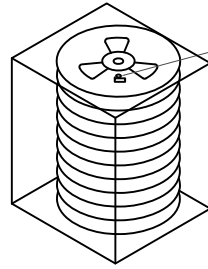
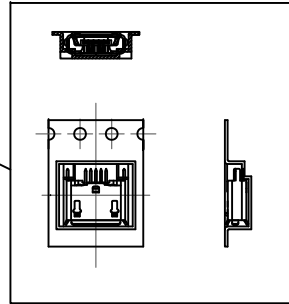
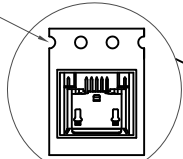
**Mechanical 机械性规格:**

Mating Force 插入力: 35N Max.  
Unmating Force 拔出力: Initial 10N Min., 初始 10N  
Final 8N Min., 最后 8N  
Durability 耐久性: 10,000 Cycles 次插拔

Part Number		Product Description				This drawing is confidential and copyright of Global Connector Technology, Ltd (GCT). This drawing must not be copied or disclosed without written consent. E & OE	
USB3105		µUSB Receptacle, Type AB, Through-Hole, Vertical, with 1.5mm Through-Hole Shell Stakes					
Drawing Date		4th April 2011		Units: Metric (mm)		Not to Scale	
By	AJO	Tolerances (Except as Noted)		3rd Angle Projection		Drawn By	
Detail	Drawing Release	Length: X.X ± 0.35		Angle: X.XX ± 0.25		AJ0	
Revision	E1					Sheet No.	
Date	04/02/15					1/2	

**GCT**  
Global Connector Technology  
www.gct.co

Holes  
圓孔

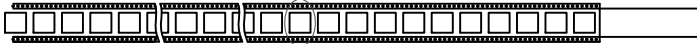


RoHS Label  
環保標籤

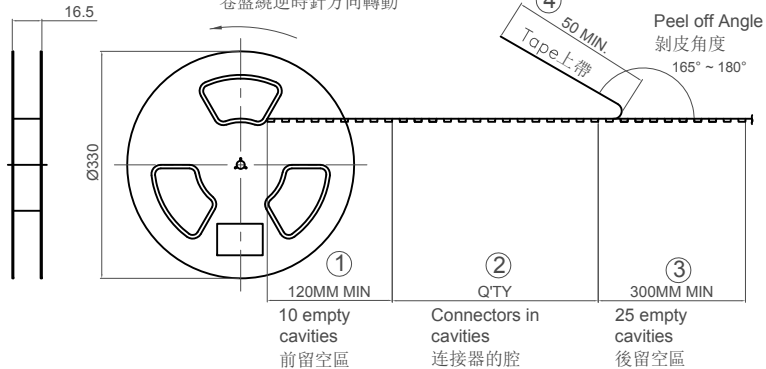
Products P/N	PCS/Reel	Reels/Carton	PCS/Carton
USB3105	1500	10	15000

Notes注意:

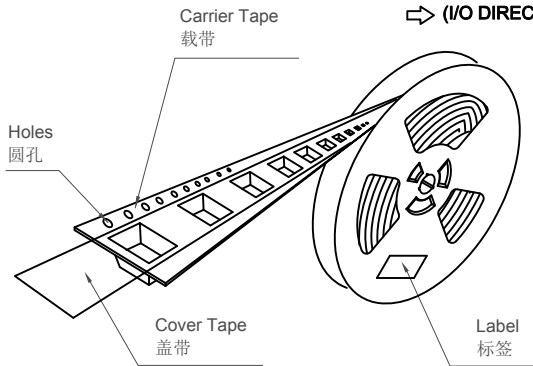
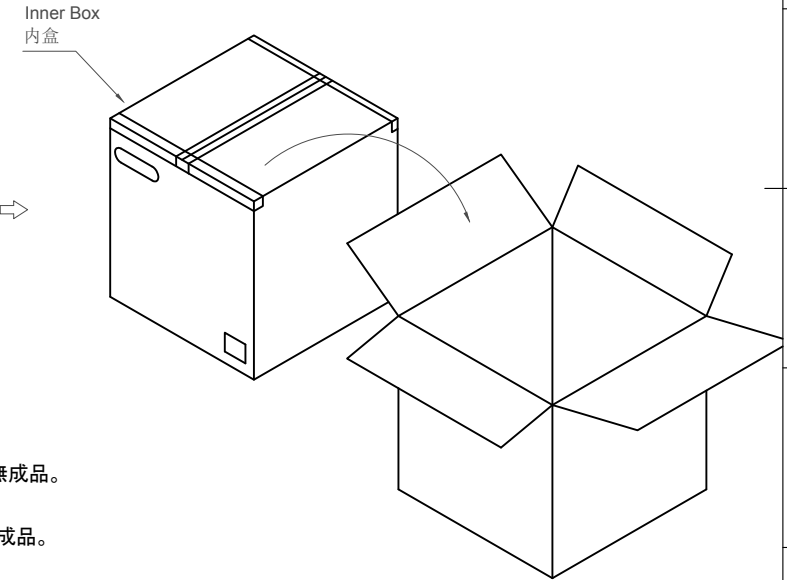
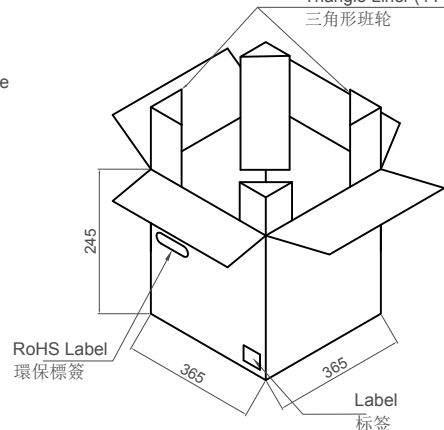
- 1.Part Conforms to EIA-481-C Standards 产品符合EIA-481-C标准
- 2.All dimensions in millimeters 所有尺寸均是毫米
- 3.10 sprocket hole pitch cumulative tolerance±0.2mm



I/O Direction  
卷盤繞逆時針方向轉動



Triangle Liner (4 PCS)  
三角形班輪



⇒ (I/O DIRECTION)

NOTE:

- ① There are 10 empty cavities at the start of the reel 前留空區(10PCS), 無成品。
- ② Quantity as per the Table 数量按表。
- ③ There are 25 empty cavities at the end of the reel 后留空區(25PCS), 無成品。
- ④ There are 50mm tape without the carrier 只有上帶, 無下帶。

Part Number		Product Description	
USB3105		µUSB Receptacle, Type AB, Through-Hole, Vertical, with 1.5mm Through-Hole Shell Stakes	
Drawing Date		4th April 2011	
By	AJO	Tolerances (Except as Noted) Length Angle	Units: Metric (mm)
Detail	Drawing Release		
Revision	E1		This drawing is confidential and copyright of Global Connector Technology, Ltd (GCT). This drawing must not be copied or disclosed without written consent. E & OE
Date	04/02/15		
Not to Scale	Drawn By AJO	Sheet No. 2/2	Global Connector Technology www.gct.co

**GCT**

Global Connector Technology  
www.gct.co

Not to Scale Drawn By AJO Sheet No. 2/2