

UTC 7642 LINEAR INTEGRATED CIRCUIT

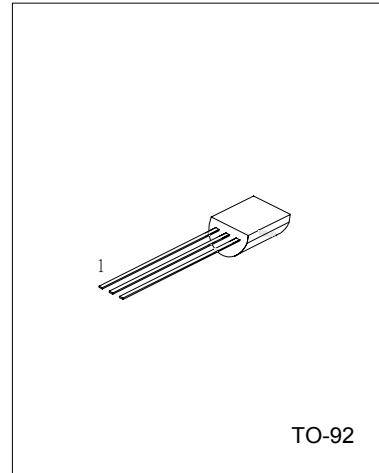
ONE CHIP AM RADIO CIRCUIT

DESCRIPTION

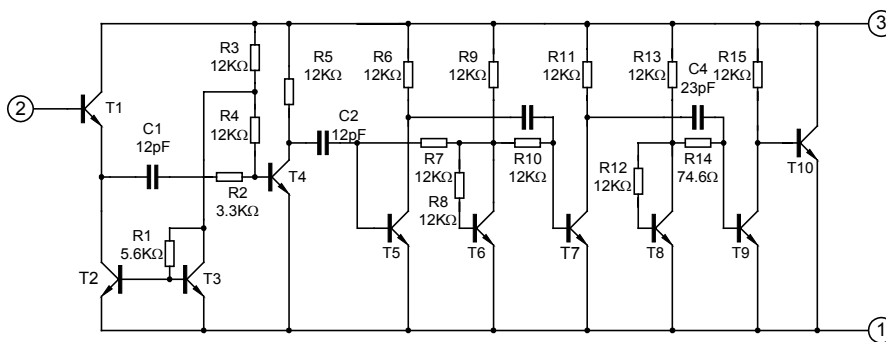
UTC 7642 is suitable for low voltage portable Radio, cassette system and other wireless AM system. The package of UTC7642 is TO-92.

FEATURE

- *Low operating voltage: Down to $V_{CC}=1.3V$
- *Low Quiescent Current: $I_{CCQ}=0.2mA$
- *Low external component required.



EQUIVALENT CIRCUIT



ABSOLUTE MAXIMUM RATINGS (Tested at $T_a=25^{\circ}C$, unless otherwise specified)

PARAMETERS	SYMBOLS	MIN.	MAX.	UNIT
Supply Voltage	V_{CC}		6	V
Operating Temperature	T_{opr}	-10	60	$^{\circ}C$
Storage temperature	T_{STG}	-55	150	$^{\circ}C$

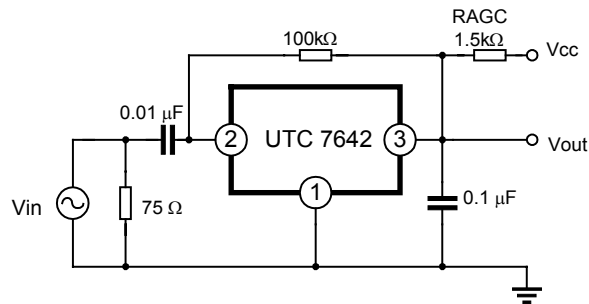
UTC 7642 LINEAR INTEGRATED CIRCUIT

ELECTRICAL CHARACTERISTICS

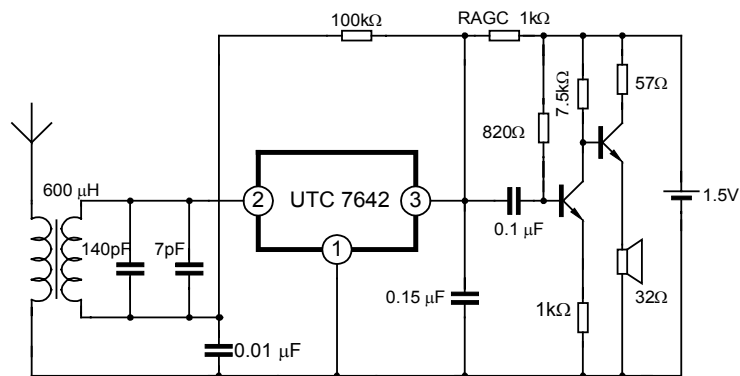
(Tested at $T_a=25^\circ\text{C}$, $V_{CC}=1.3\text{V}$, $f_m=1\text{KHZ}$, $f_o=1\text{MHZ}$, $\text{MOD}=30\%$, unless other specified)

PARAMETERS	SYMBOLS	TEST CONDITIONS	MIN.	TYP.	MAX.	UNIT
Supply Voltage	V_{CC}		1.2	1.3	1.6	V
Quiescent Current	I_{CCQ}	$V_I=0$	0.14	0.20	0.30	mA
Input Resistance	R_I		-	3	-	$M\Omega$
Maximum Sensitivity	SM	$V_{OD}=3\text{mV}$	-	600	-	μV
Detector Output Voltage	V_{OD}	$V_I=10\text{mV}$	5	15	30	mV
The Range of AGC	ΔA		-	30	-	dB

TEST CIRCUIT



APPLICATION CIRCUIT



UTC 7642 LINEAR INTEGRATED CIRCUIT

UTC assumes no responsibility for equipment failures that result from using products at values that exceed, even momentarily, rated values (such as maximum ratings, operating condition ranges, or other parameters) listed in products specifications of any and all UTC products described or contained herein. UTC products are not designed for use in life support appliances, devices or systems where malfunction of these products can be reasonably expected to result in personal injury. Reproduction in whole or in part is prohibited without the prior written consent of the copyright owner. The information presented in this document does not form part of any quotation or contract, is believed to be accurate and reliable and may be changed without notice.