



**Double-deck terminal block; Through/through terminal block; L/L; without marker carrier; gray housing; suitable for Ex e II applications**

Item No.: 2002-2201



Double-deck terminal block; Through/through terminal block; L/L; without marker carrier; gray housing; suitable for Ex e II applications

### Marking

RoHS ✓  
Compliant

### Business data

Supplier	WAGO
Item no.	2002-2201
GTIN / EAN	4044918753517
Content	1
Order amount	50
Customer item number	

### Notes

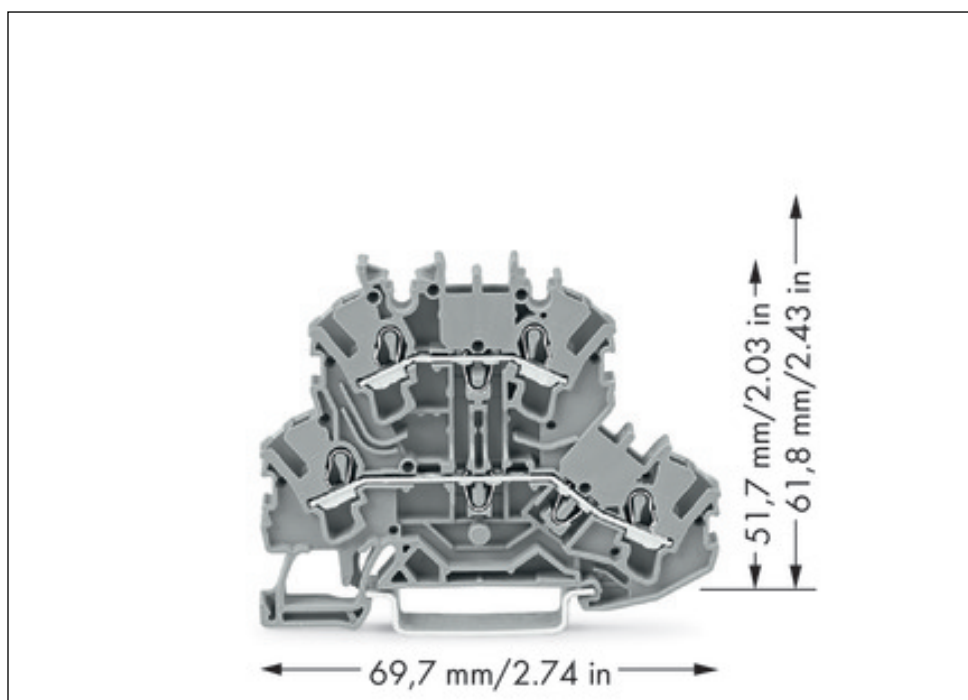
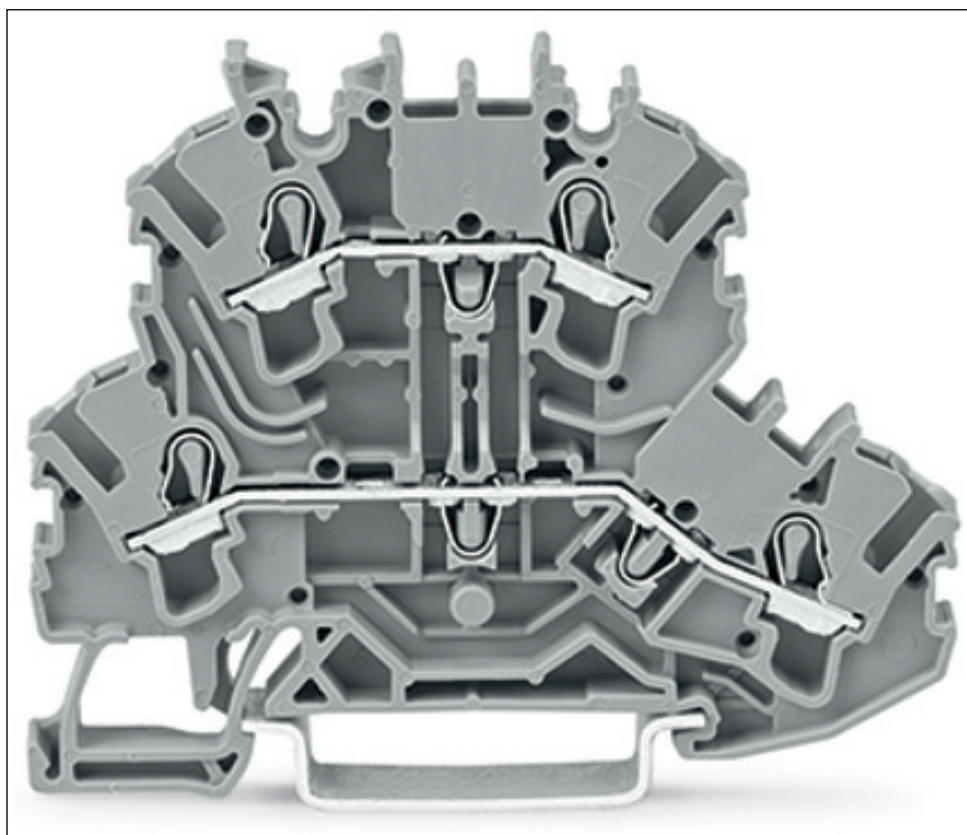
### Technical data

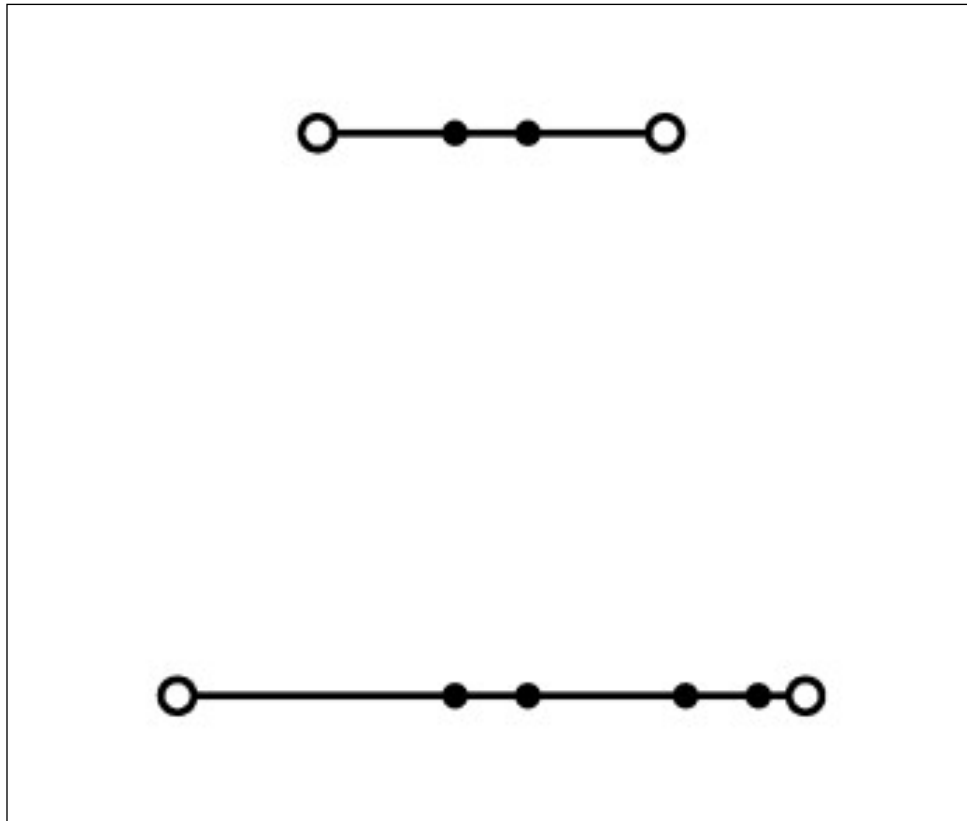
#### Miscellaneous

Packaging type	BOX
Ratings per	IEC/EN 60947-7-1
Rated voltage (III / 3) [V]	500 [V]
Rated impulse voltage (III / 3) [kV]	6 [kV]
Rated current [A]	24 [A]

<b>Technical data</b>	
Rated current (2) [A]	28 [A]
Rated voltage EN (Ex e II) [V]	440 [V]
Rated current (Ex e II) [A]	20 [A]
Rated current (Ex e II) with jumper [A]	18 [A]
Total number of potentials	2
Type of wiring	Front-entry wiring
Number of levels	2
Connection technology	Push-in CAGE CLAMP®
Number of connection points (connection type)	2
Actuation type	Operating tool
Connectable conductor materials	Copper
Nominal cross section	2.5 mm <sup>2</sup>
Solid conductor	0.25 ... 4 mm <sup>2</sup> / 22 ... 12 AWG
Solid conductor, push-in termination	0.75 ... 4 mm <sup>2</sup> / 18 ... 12 AWG
Fine-stranded conductor	0.25 ... 4 mm <sup>2</sup> / 22 ... 12 AWG
Fine-stranded conductor with ferrule, push-in termination, f	0.75 mm <sup>2</sup> / 18 AWG
Strip length	10 ... 12 mm / 0.39 ... 0.47 Inch
Number of connection points (connection type 2)	2
Width	5.2 mm / 0.205 Inch
Height from upper-edge of DIN-35 rail	51.7 mm / 2.035 Inch
Depth	69.7 mm / 2.744 Inch
Design	horizontal
Type of mounting	Carrier rail 35 x 15
Total number of connection points	4
Potential marking	L/L
Marking level	Center/side marking
Color	gray
Insulating material	Polyamide 66 (PA 66)
Fire load [MJ]	0.204 [MJ]
RoHS Conformity	1
Weight [g]	10.153 [g]

Images & drawings





#### Address

WAGO Kontakttechnik GmbH & Co. KG

Hansastr. 27

32423 Minden

Telefon: 0571/887-0

Fax: 0571/887-169

<http://www.wago.com>

© WAGO Kontakttechnik GmbH & Co. KG

Technische Änderungen und Irrtümer vorbehalten.