



Double-deck terminal block; contact insert only on upper deck; gray separator; oversized

Item No.: 2002-2201/097-000



Double-deck terminal block; contact insert only on upper deck; gray separator; oversized

Marking

RoHS ✓
Compliant

Business data

Supplier	WAGO
Item no.	2002-2201/097-000
GTIN / EAN	4055143420242
Content	1
Order amount	50
Customer item number	

Notes

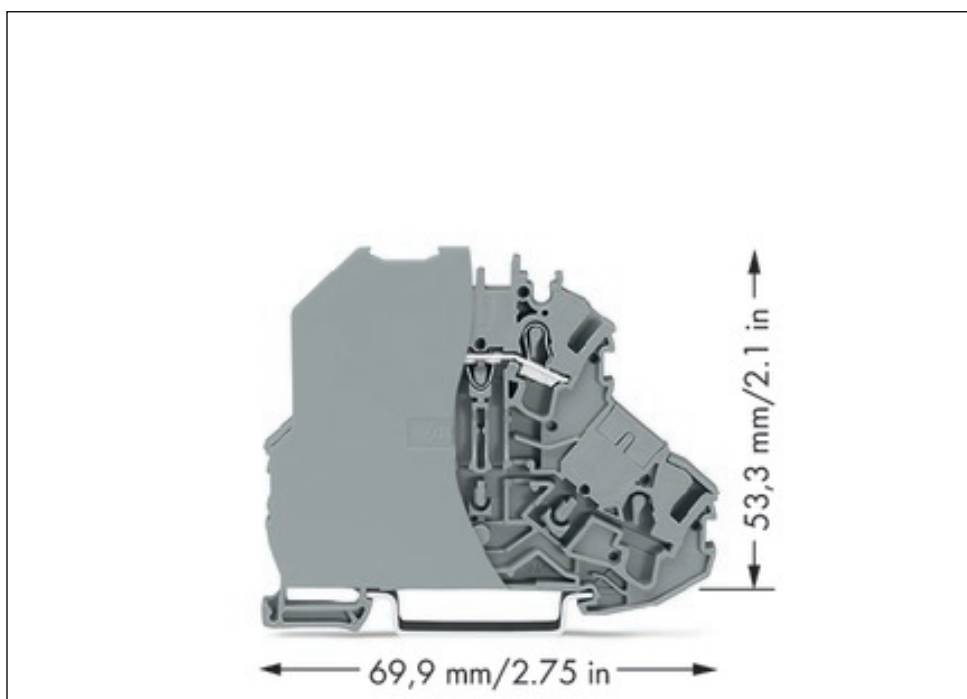
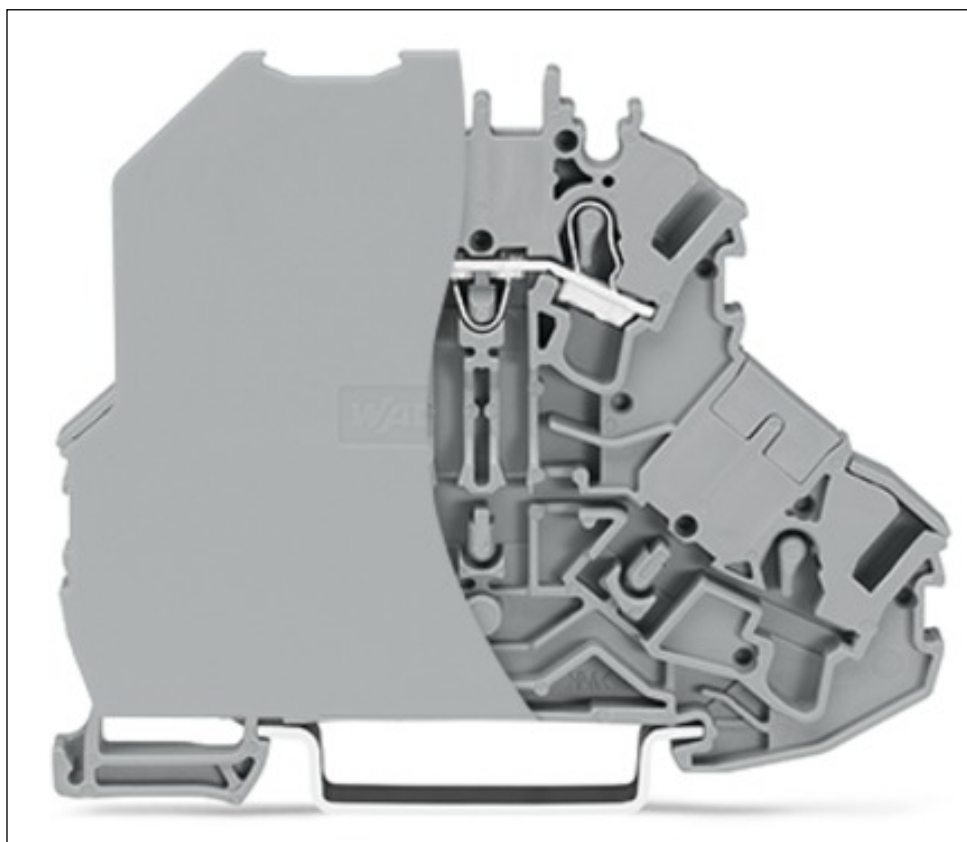
Technical data

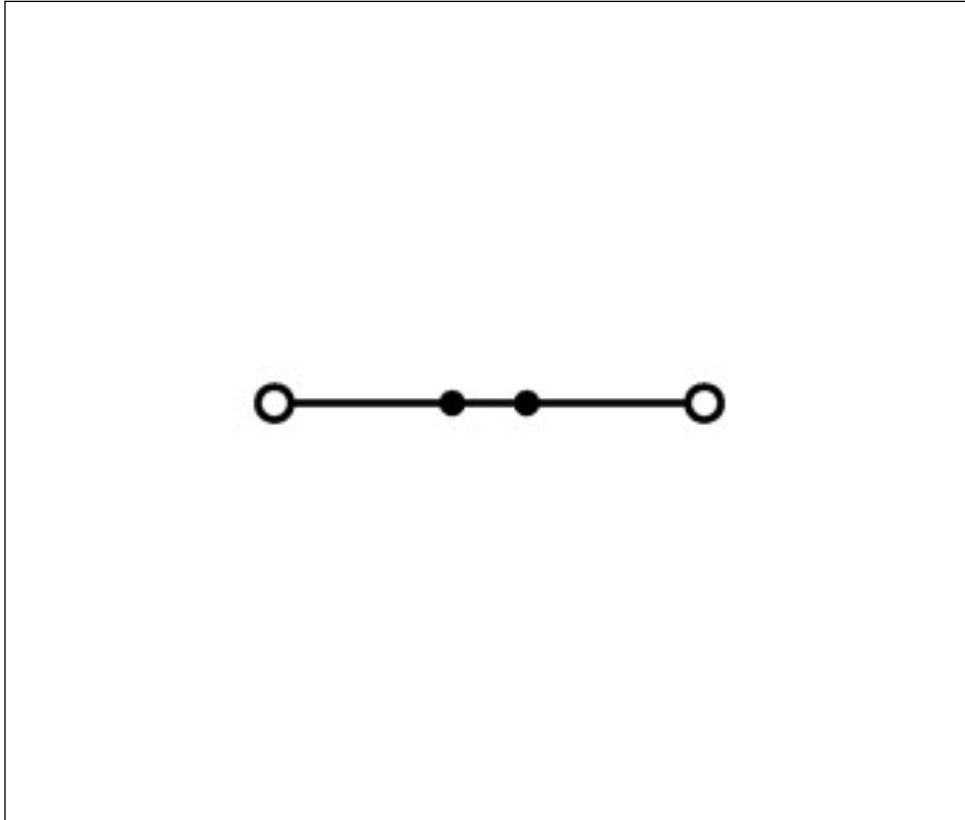
Miscellaneous

Packaging type	BOX
Ratings per	IEC/EN 60947-7-1
Rated voltage (III / 3) [V]	1000 [V]
Rated impulse voltage (III / 3) [kV]	12 [kV]
Rated current [A]	24 [A]
Rated voltage (III / 3) 2 [V]	1500 [V]

Technical data	
<i>Rated impulse voltage (III / 3) 2 [kV]</i>	<i>12 [kV]</i>
<i>Total number of potentials</i>	<i>1</i>
<i>Type of wiring</i>	<i>Front-entry wiring</i>
<i>Number of levels</i>	<i>2</i>
<i>Connection technology</i>	<i>Push-in CAGE CLAMP®</i>
<i>Number of connection points (connection type)</i>	<i>2</i>
<i>Actuation type</i>	<i>Operating tool</i>
<i>Connectable conductor materials</i>	<i>Copper</i>
<i>Nominal cross section</i>	<i>2.5 mm²</i>
<i>Solid conductor</i>	<i>0.25 ... 4 mm² / 22 ... 12 AWG</i>
<i>Solid conductor, push-in termination</i>	<i>0.75 ... 4 mm² / 18 ... 12 AWG</i>
<i>Fine-stranded conductor</i>	<i>0.25 ... 4 mm² / 22 ... 12 AWG</i>
<i>Fine-stranded conductor with ferrule, push-in termination, f</i>	<i>0.75 mm² / 18 AWG</i>
<i>Strip length</i>	<i>10 ... 12 mm / 0.39 ... 0.47 Inch</i>
<i>Width</i>	<i>7.2 mm / 0.283 Inch</i>
<i>Height from upper-edge of DIN-35 rail</i>	<i>53.3 mm / 2.098 Inch</i>
<i>Depth</i>	<i>69.9 mm / 2.752 Inch</i>
<i>Design</i>	<i>horizontal</i>
<i>Type of mounting</i>	<i>Carrier rail 35 x 15</i>
<i>Total number of connection points</i>	<i>2</i>
<i>Potential marking</i>	<i>L</i>
<i>Marking level</i>	<i>Center/side marking</i>
<i>Color</i>	<i>gray</i>
<i>Insulating material</i>	<i>Polyamide 66 (PA 66)</i>
<i>RoHS Conformity</i>	<i>1</i>
<i>Weight [g]</i>	<i>13.148 [g]</i>

Images & drawings





Address

WAGO Kontakttechnik GmbH & Co. KG

Hansastr. 27

32423 Minden

Telefon: 0571/887-0

Fax: 0571/887-169

<http://www.wago.com>

© WAGO Kontakttechnik GmbH & Co. KG

Technische Änderungen und Irrtümer vorbehalten.