

Modular PCB terminal block; 2 solder pins/pole; 1-pole; pin spacing 5/5.08 mm / 0.2 in

Item No.: 236-851



Modular PCB terminal block; 2 solder pins/pole; 1-pole; pin spacing 5/5.08 mm / 0.2 in

Marking

RoHS ✓
Compliant

Business data

Supplier	WAGO
Item no.	236-851
GTIN / EAN	4044918775052
Content	1
Order amount	100
Customer item number	

Notes

Item description: Modular terminal blocks with CAGE CLAMP® connection, screwdriver actuation parallel or perpendicular to conductor entry Also available with Ex e approval For custom terminal strip assemblies Operating tools for factory wiring 45° connection angle permits a wide range of uses and wiring options Set to metric or inch pin spacing by compressing terminal strips together or pulling them apart

Technical data

Miscellaneous

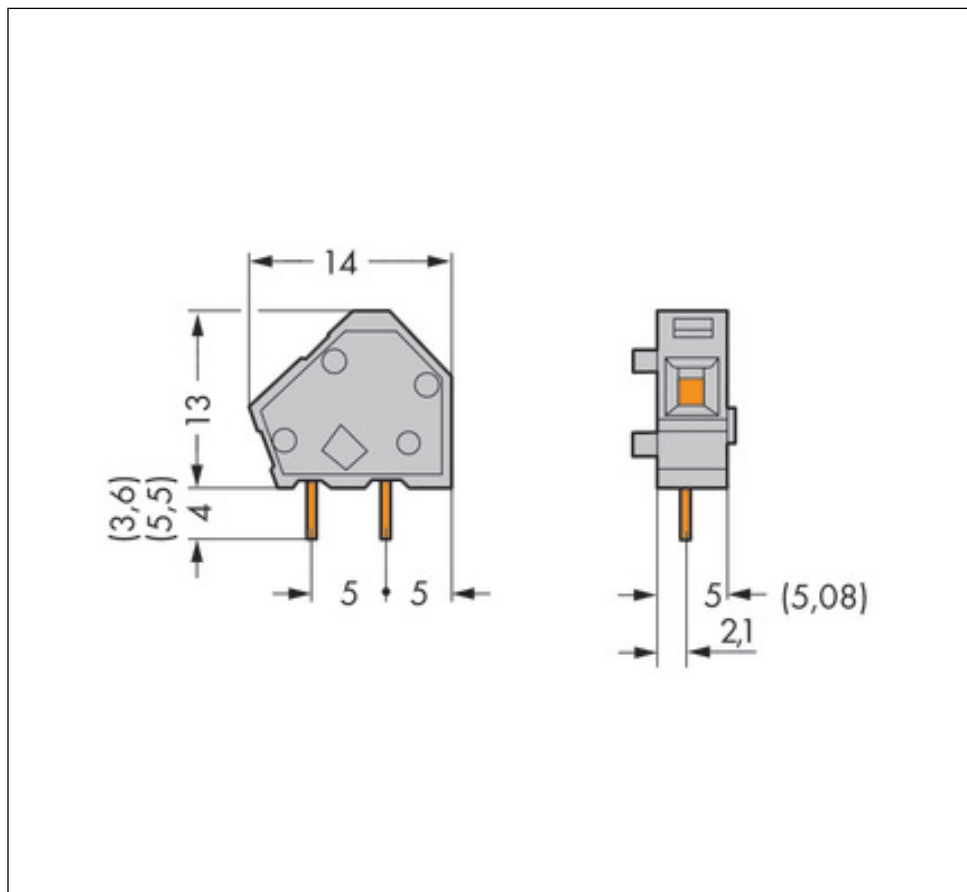
No. of poles	1
Pin spacing	5/5.08 mm / 0.197/0.2 in
Total number of connection points	1
Total number of potentials	1
Number of levels	1
Color	black

Technical data	
<i>Ratings according to 1</i>	<i>IEC/EN 60664-1</i>
<i>Overvoltage category EN 1</i>	<i>III</i>
<i>Pollution degree (1)</i>	<i>2</i>
<i>Rated voltage EN (1) [V]</i>	<i>320 [V]</i>
<i>Rated surge voltage (1) [kV]</i>	<i>4 [kV]</i>
<i>Nominal current [A]</i>	<i>24 [A]</i>
<i>Overvoltage category EN 2</i>	<i>II</i>
<i>Degree of pollution (2)</i>	<i>2</i>
<i>Rated voltage EN (2) [V]</i>	<i>630 [V]</i>
<i>Rated surge voltage (2) [kV]</i>	<i>4 [kV]</i>
<i>Nominal current (2) [A]</i>	<i>24 [A]</i>
<i>Overvoltage category EN 3</i>	<i>III</i>
<i>Degree of pollution (3)</i>	<i>3</i>
<i>Rated voltage EN (3) [V]</i>	<i>250 [V]</i>
<i>Rated surge voltage (3) [kV]</i>	<i>4 [kV]</i>
<i>Nominal current (3) [A]</i>	<i>24 [A]</i>
<i>Number of individual connection objects at the product</i>	<i>1</i>
<i>Connection technology (1)</i>	<i>CAGE CLAMP®</i>
<i>Number of connection points (1)</i>	<i>1</i>
<i>Solid sizes</i>	<i>0.08 ... 2.5 mm² / 28 ... 12 AWG</i>
<i>Fine-stranded wires</i>	<i>0.08 ... 2.5 mm² / 28 ... 12 AWG</i>
<i>Fine-stranded wires with insulated ferrule</i>	<i>0.25 ... 1.5 mm² / ...</i>
<i>Fine-stranded wires with uninsulated ferrule</i>	<i>0.25 ... 1.5 mm² / ...</i>
<i>Strip length</i>	<i>5 ... 6 mm / 0.2 ... 0.24 in</i>
<i>Conductor entry angle to the PCB 1 [°]</i>	<i>45 [°]</i>
<i>Strip length from [inch] [in]</i>	<i>0.2 [in]</i>
<i>Type of wiring</i>	<i>Front-/Side-entry wiring</i>
<i>Solder pin arrangement</i>	<i>in line</i>
<i>Solder pin length [mm]</i>	<i>4 [mm]</i>
<i>Solder pin width A [mm]</i>	<i>0.7 [mm]</i>
<i>Solder pin width B [mm]</i>	<i>0.7 [mm]</i>
<i>Drilled hole diameter (tolerance) [mm]</i>	<i>1.1(+ 0.1) [mm]</i>
<i>Material group</i>	<i>I</i>
<i>Insulating material</i>	<i>Polyamide 66 (PA 66)</i>

Technical data	
<i>Flammability rating per UL 94</i>	<i>V0</i>
<i>Limit temperature range</i>	<i>-60 C ... 105 C</i>
<i>Clamping spring material</i>	<i>Chrome-nickel spring steel (CrNi)</i>
<i>Contact material</i>	<i>Electrolytic copper (Ecu)</i>
<i>Contact plating</i>	<i>tin-plated</i>
<i>Fire load [MJ]</i>	<i>0.012 [MJ]</i>
<i>Weight [g]</i>	<i>0.87 [g]</i>
<i>Width</i>	<i>7.2 mm / 0.283 in</i>
<i>Height</i>	<i>17 mm / 0.669 in</i>
<i>Height from the surface</i>	<i>13 mm / 0.512 in</i>
<i>Length</i>	<i>14 mm / 0.551 in</i>
<i>Pin spacing up to [in]</i>	<i>0.2 [in]</i>

Images & drawings





Address

WAGO Kontakttechnik GmbH & Co. KG

Hansastr. 27

32423 Minden

Telefon: 0571/887-0

Fax: 0571/887-169

<http://www.wago.com>

© WAGO Kontakttechnik GmbH & Co. KG

Technische Änderungen und Irrtümer vorbehalten.