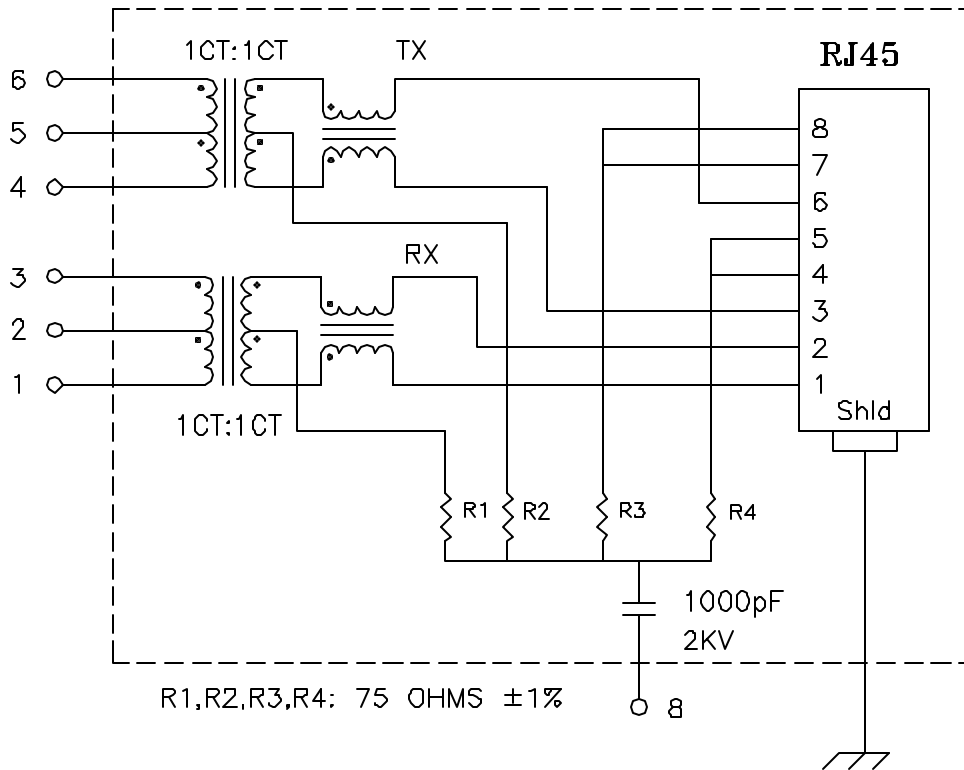


Schematic:



Electrical Specifications: @25°C

Isolation Voltage: 1500 Vrms (Input to Output)

Isolation Voltage: 500 Vrms (P1+2+3 to P4+5+6)

Turns Ratio: TX 1CT:1CT \pm 3% RX 1CT:1CT \pm 3%

CABLE SIDE OCL: 350uH Minimum @100KHz 100mV 8mADC

Cw/w: 27pF Typical @100KHz 100mV

Insertion Loss (300KHz-100MHz): -1.0dB Maximum

Return Loss: @30MHz -18dB Minimum

@80MHz -12dB Minimum

Notes:

1. Solderability: Leads shall meet MIL-STD-202G, Method 208H for solderability.
2. Flammability: UL94V-0
3. ASTM oxygen index: > 28%
4. Insulation System: Class F 155°C. UL file E151556
5. Operating Temperature Range: All listed parameters are to be within tolerance from -40°C to +85°C
6. Storage Temperature Range: -55°C to +125°C
7. Aqueous wash compatible
8. Electrical and mechanical specifications 100% tested
9. RoHS Compliant Component

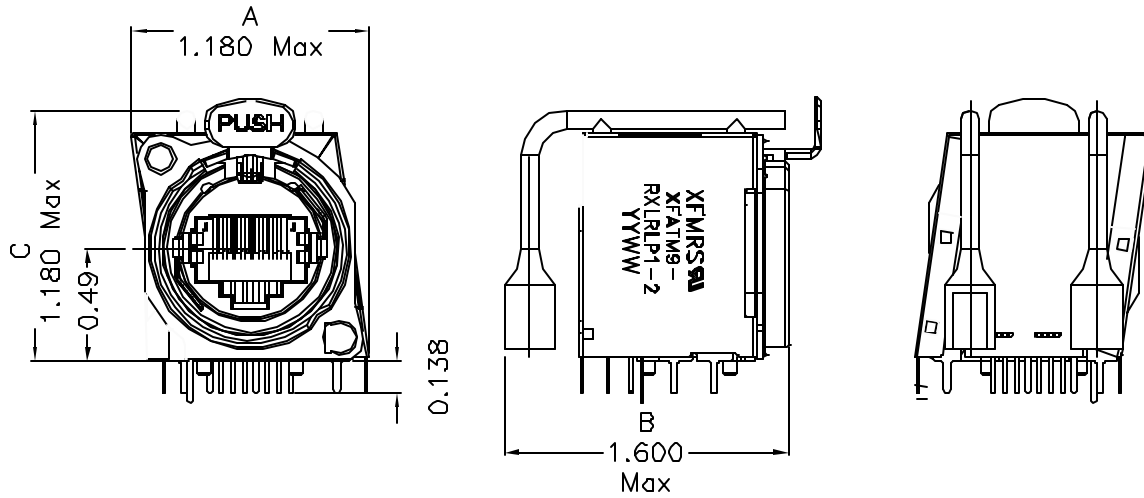
DOC REV: A/1

XFMRs Inc.		Title: XLR COMBO	
www.XFMRs.com			
UNLESS OTHERWISE SPECIFIED TOLERANCES: .xxx \pm 0.010		P/N: XFATM9-RXLRLP1-2	REV. A
Dimensions in Inch		DWN.	Xianyi Nov-06-08
SHEET 1 OF 2		CHK.	YK Liao Nov-06-08
		APP.	BW Nov-06-08

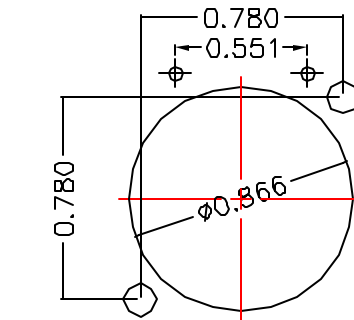
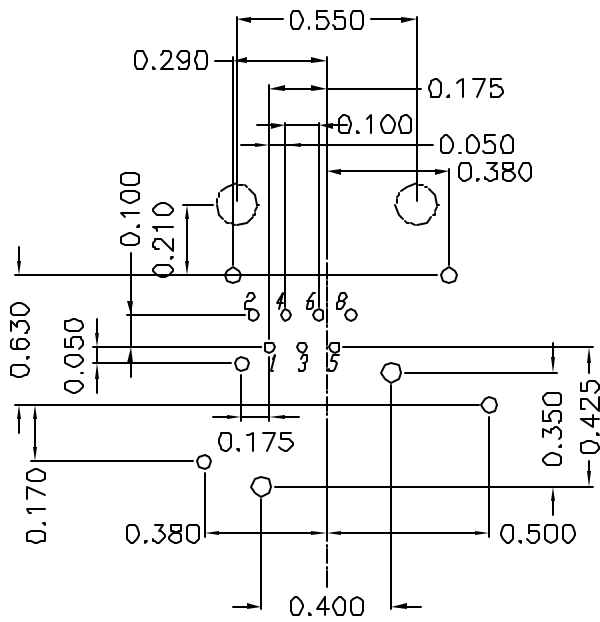
PROPRIETARY:

Document is the property of XFMRs Group & is not allowed to be duplicated without authorization.

Mechanical Dimensions:



Mounting Pattern:



Panel cut out(rear side)

SUGGESTED MOUNTING PATTERN (COMPONENT SIDE)

DOC. REV: A/1

<p>XFMRS Inc. www.XFMRS.com</p> <p>UNLESS OTHERWISE SPECIFIED TOLERANCES: .xxx ±0.010 Dimensions in Inch</p> <p>SHEET 2 OF 2</p>	Title: Mechanical Dimensions For RXLRLP1-2 Series		
	P/N: XFATM9-RXLRLP1-2		REV. A
	DWN.	Xianyi	Nov-06-08
	CHK.	YK Liao	Nov-06-08
APP.	BW	Nov-06-08	

PROPRIETARY:

Document is the property of XFMRS Group & is not allowed to be duplicated without authorization.