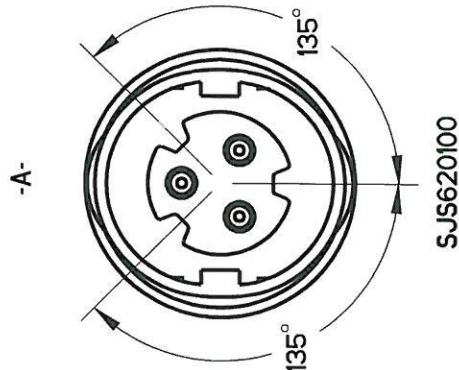
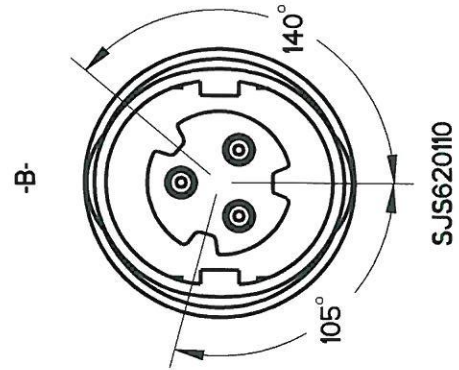
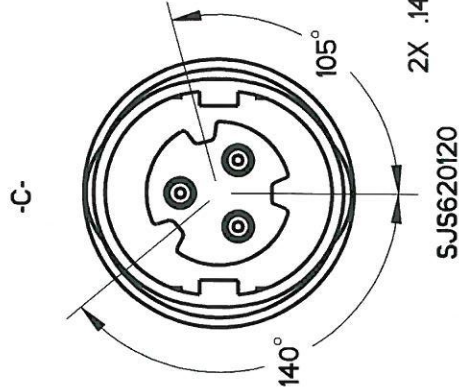
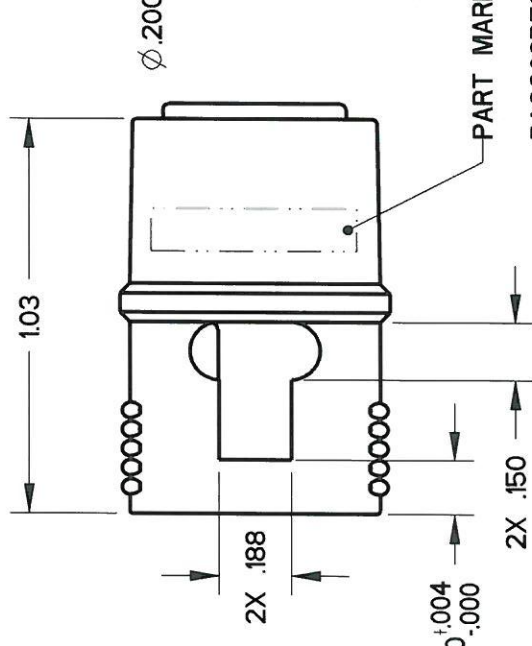
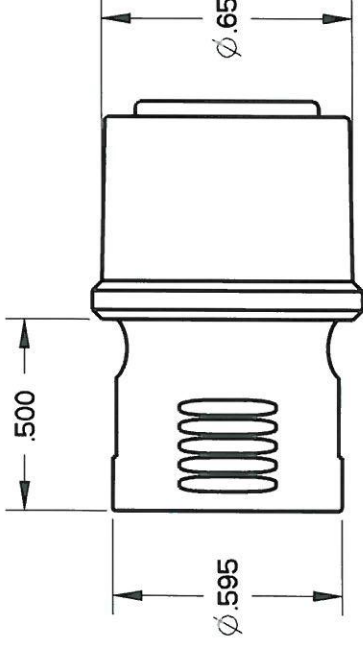


NOTES:

1. MATERIALS:
 HOUSING: PA 6/6
 CONTACT RETAINER: STAINLESS STEEL
 GROMMET: SILICONE RUBBER PER A-A-59588
2. OPERATING RANGE:
 TEMPERATURE: -55 °C TO 95 °C
 INSULATION RESISTANCE: 5000 MEGOHMS MINIMUM
 DIELECTRIC WITHSTANDING VOLTAGE: 1500 VRMS SEA LEVEL
 600 VRMS @ 45,000 FT. ALTITUDE
3. CURRENT RATING: 7.5 AMPS
 VIBRATION: PER EIA-364D METHOD 28, TEST CONDITION V.
4. ACCEPTS (3) M39029/56-351 SOCKET CONTACT (NOT INCLUDED)
 CONTACT RETENTION - 20 LBS EACH



SJS620100

SJS620110

SJS620120

BACC63DE
 YYWW SJS
 DATE
 CODE
 SEE TABLE

KEY CONFIGURATION SEE TABLE 1