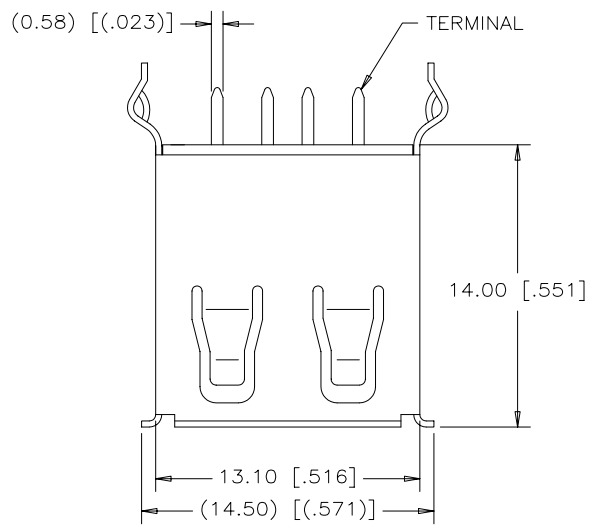


REVISIONS			
REV	ECN, ERN NO.	DATE	APPRD.
G	PRODUCT DRAWING	MAR07/05	K.L.



TOP VIEW

AMPHENOL PART NUMBER: **U E 2 7 - A E X 4 - X 0 H**

SERIES \_\_\_\_\_  
 UE27 = RECEPTACLE, RoHS COMPLIANT

TYPE \_\_\_\_\_  
 A = SERIES A

STYLE \_\_\_\_\_  
 E = STRAIGHT PCB, VERTICAL MOUNT

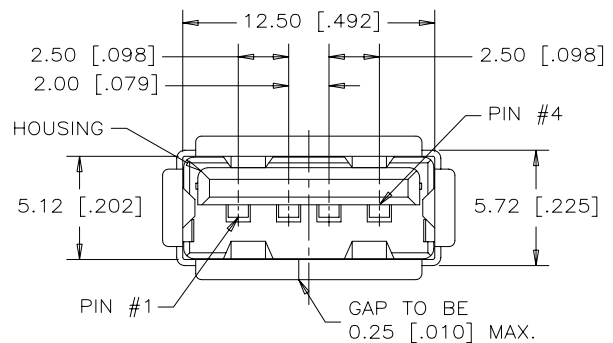
CONTACT PLATING OPTION \_\_\_\_\_  
 5 = 30µ" [0.76 MICRONS] GOLD OVER NICKEL ON CONTACT MATING AREA.  
 100µ" [2.54 MICRONS] TIN PLATING ON CONTACT TAILS.  
 7 = GOLD FLASH OVER NICKEL ON CONTACT MATING AREA.  
 100µ" [2.54 MICRONS] TIN PLATING ON CONTACT TAILS.

MODIFIER  
 H = STANDARD PRODUCT  
 HIGH TEMP HOUSING

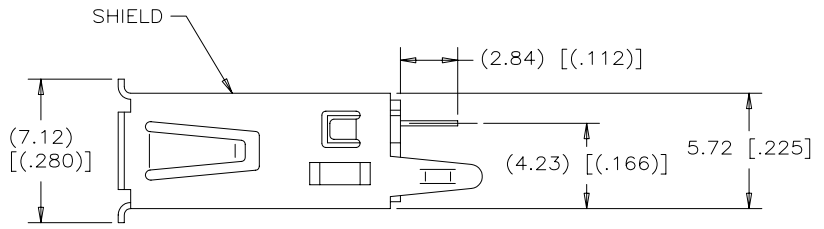
SHIELDING OPTION  
 0 = STANDARD

HOUSING COLOUR:  
 1 = BLACK  
 2 = BEIGE

NUMBER OF CONTACTS  
 4 = 4 CONTACTS



FRONT VIEW



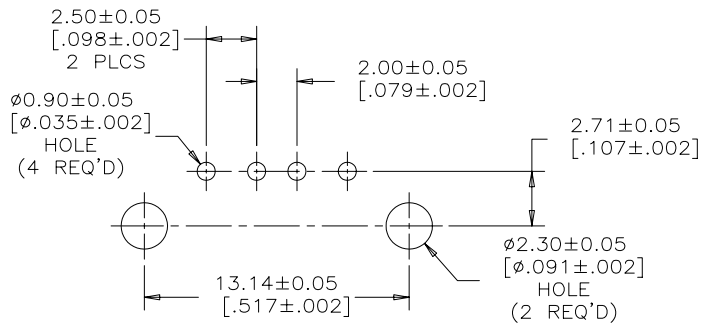
**MATERIALS:** ALL MATERIALS SHALL BE RoHS COMPLIANT.

**CONTACTS:** PHOSPHOR BRONZE  
 (SEE PART NUMBER SYSTEM FOR PLATING OPTIONS)

**SHIELD:** COPPER ALLOY, NICKEL PLATED

**HOUSING:** ENGINEERING THERMOPLASTIC, FLAMMABILITY RATING UL 94V-0  
 HIGH TEMPERATURE RESISTANT FOR SOLDERING PROCESS UP TO 260°C  
 (SEE AMPHENOL PART NUMBER SYSTEM FOR COLOUR OPTIONS)

**MECHANICAL REQUIREMENTS:** PER USB SPECIFICATION REV 2.0, SECTION 6.7:  
 INSERTION FORCE 7.8 LBF (35 NEWTONS) MAXIMUM  
 EXTRACTION FORCE 2.25 LBF (10 NEWTONS) MINIMUM  
 DURABILITY 1500 INSERTION/EXTRACTION CYCLES.



RECOMMENDED P.C.B. LAYOUT  
 COMPONENT SIDE OF BOARD

UNLESS OTHERWISE SPECIFIED TOLERANCES ARE ±0.30 mm, ±3"

DRAWN K. LAMBIE	DATE MAR07/05
DESIGNED	
CHECKED	
I. E. APPRD.	
Q. A. APPRD.	
DWG. APPRD.	
ENG. REL. NO.	
REF. EAR #12669	
DIMENSIONS ARE IN mm [INCHES]	CODE ID. NO. 03554

Amphenol Canada Corp.	
TITLE UE27 SERIES UNIVERSAL SERIAL BUS, SERIES A RECEPTACLE, STRAIGHT PCB TAIL, VERTICAL MOUNT, RoHS COMPLIANT	
DWG C	DRAWING NO. P-UE27-AEX4-X0H
REV. A	
SCALE 5/1	WT. ----- SURF. ----- SHEET 1 OF 1

THIS DOCUMENT CONTAINS PROPRIETARY INFORMATION AND SUCH INFORMATION MAY NOT BE DISCLOSED TO OTHERS FOR ANY PURPOSE OR USED FOR MANUFACTURING PURPOSES WITHOUT WRITTEN PERMISSION FROM AMPHENOL CANADA CORP.