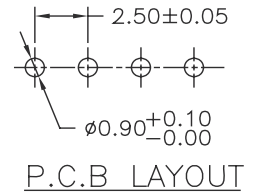
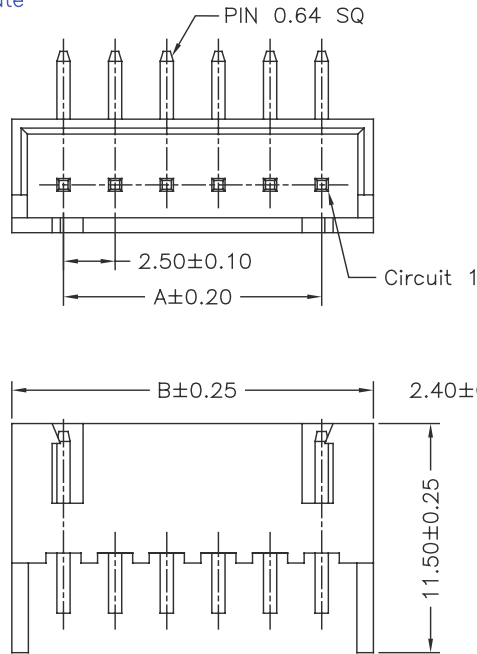


## 2.5mm WAFER RIGHT ANGLE / STRAIGHT TYPE

### SPECIFICATIONS

Current Rating: 3A AC,DC  
 Voltage Rating: 250V AC,DC  
 Temperature Range: -25°C ~ +85°C  
 Contact Resistance: 10mΩ Max  
 Insulation Resistance: 1000MΩ Min  
 Withstanding Voltage: 1000V AC/minute  
 Pin Material: Brass/Tin-plated  
 Material: Nylon 66,UL94V-0  
 Color: Natural(White)

PART NO.	Dimensions	
	A	B
2503R-02TW-L	2.50	7.50
2503R-03TW-L	5.00	10.00
2503R-04TW-L	7.50	12.50
2503R-05TW-L	10.00	15.00
2503R-06TW-L	12.50	17.50
2503R-07TW-L	15.00	20.00
2503R-08TW-L	17.50	22.50
2503R-09TW-L	20.00	25.00
2503R-10TW-L	22.50	27.50
2503R-11TW-L	25.00	30.00
2503R-12TW-L	27.50	32.50
2503R-13TW-L	30.00	35.00
2503R-14TW-L	32.50	37.50
2503R-15TW-L	35.00	40.00
2503R-16TW-L	37.50	42.50
2503R-17TW-L	40.00	45.00
2503R-18TW-L	42.50	47.50
2503R-19TW-L	45.00	50.00
2503R-20TW-L	47.50	52.50

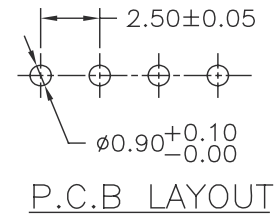
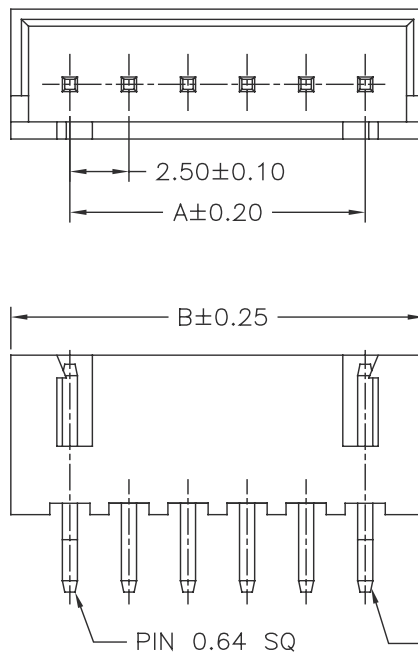


**Part No.:2503R-XXTW-L**

### SPECIFICATIONS

Current Rating: 3A AC,DC  
 Voltage Rating: 250V AC,DC  
 Temperature Range: -25°C ~ +85°C  
 Contact Resistance: 10mΩ Max  
 Insulation Resistance: 1000MΩ Min  
 Withstanding Voltage: 1000V AC/minute  
 Pin Material: Brass/Tin-plated  
 Material: Nylon 66,UL94V-0  
 Color: Natural(White)

PART NO.	Dimensions	
	A	B
2503S-02TW-L	2.50	7.50
2503S-03TW-L	5.00	10.00
2503S-04TW-L	7.50	12.50
2503S-05TW-L	10.00	15.00
2503S-06TW-L	12.50	17.50
2503S-07TW-L	15.00	20.00
2503S-08TW-L	17.50	22.50
2503S-09TW-L	20.00	25.00
2503S-10TW-L	22.50	27.50
2503S-11TW-L	25.00	30.00
2503S-12TW-L	27.50	32.50
2503S-13TW-L	30.00	35.00
2503S-14TW-L	32.50	37.50
2503S-15TW-L	35.00	40.00
2503S-16TW-L	37.50	42.50
2503S-17TW-L	40.00	45.00
2503S-18TW-L	42.50	47.50
2503S-19TW-L	45.00	50.00
2503S-20TW-L	47.50	52.50



**Part No.:2503S-XXTW-L**