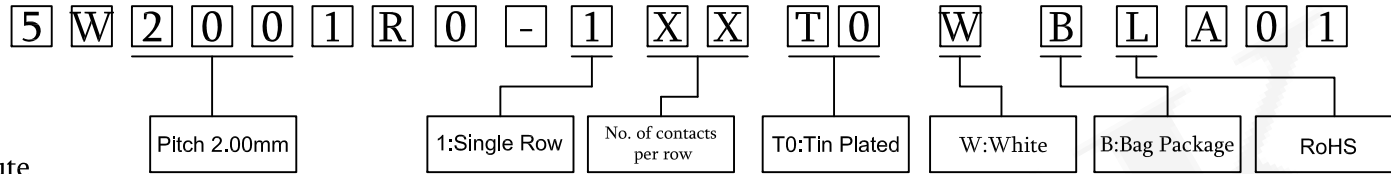


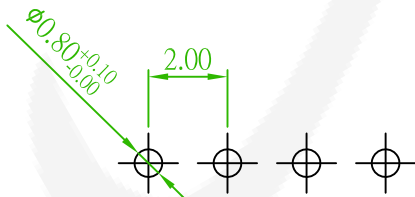
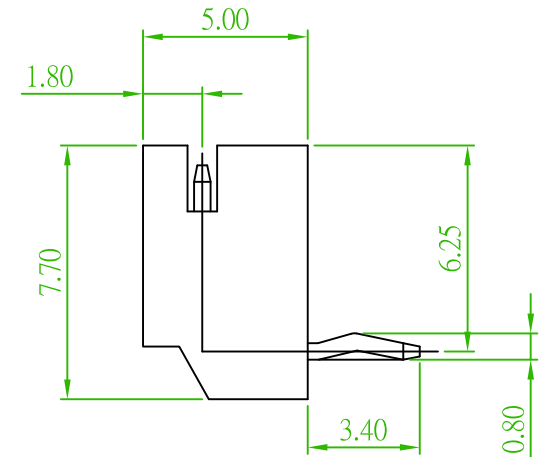
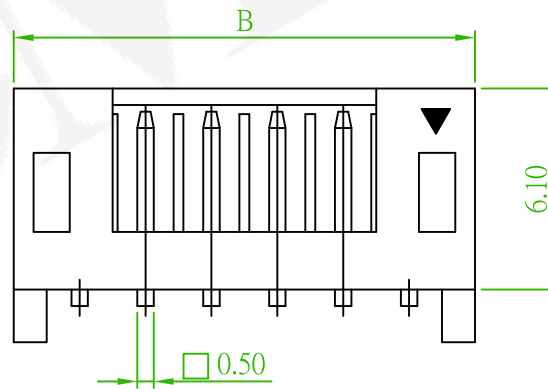
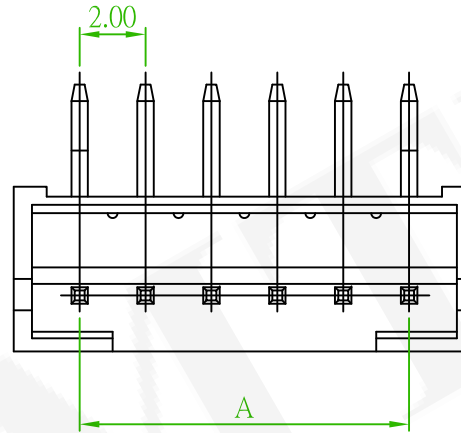
SPECIFICATIONS

Current Rating: 1A AC,DC
 Voltage Rating: 100V AC,DC
 Temperature Range: -25°C to +85°C
 Contact Resistance: 20mΩ Max
 Insulation Resistance: 1000MΩ Min
 Withstanding Voltage: 800V AC/minute
 Solder Tabs: Brass/Tin-plated
 Material:Nylon 66,UL94V-0

ORDER INFORMATION



No. of contacts	Dimensions	
	A	B
02	2.00	6.00
03	4.00	8.00
04	6.00	10.00
05	8.00	12.00
06	10.00	14.00
07	12.00	16.00
08	14.00	18.00
09	16.00	20.00
10	18.00	22.00
11	20.00	24.00
12	22.00	26.00
13	24.00	28.00
14	26.00	30.00
15	28.00	32.00
16	30.00	34.00


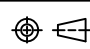


Recommended PCB Layout
 (PCB TOLERANCE ± 0.05)



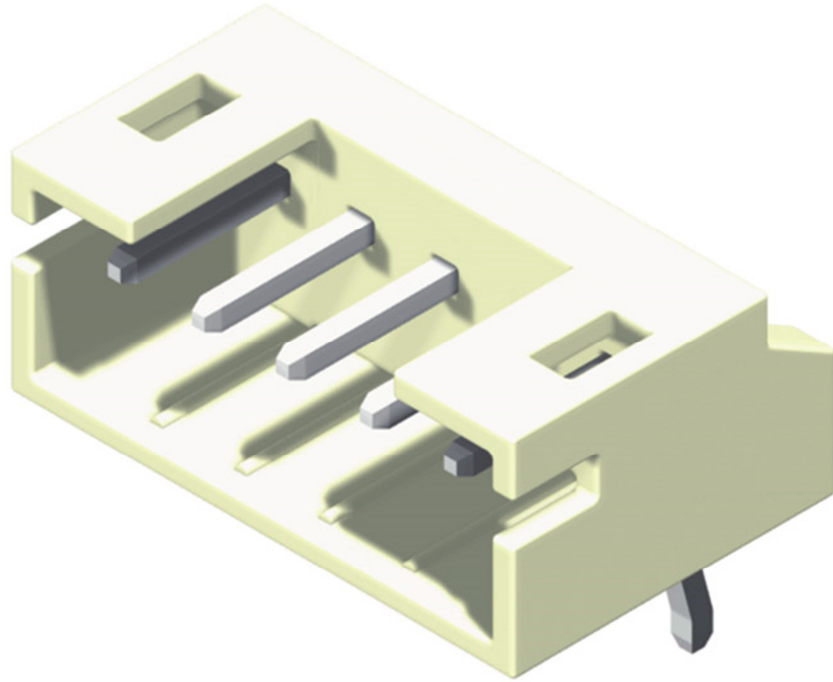
Old Part No.:2001R-XXTW-L

REV.	ECN NO. OR DESCRIPTION	REVISED	DATE

 糧德精密有限公司 Amtek Technology Co., Ltd. TEL: 886-2-2260-6878 FAX: 886-2-2260-8030	品名 TITLE	2.0mm WAFER RIGHT ANGLE			頁數 Page	1/1
	品號 PART NO.	5W2001R0-1XXT0WBLA01			繪圖 DRAWN	Mia 2015/09/08
	圖號 DRAWING NO.	版本 REV.	A	核對 CHECKED	John 2015/09/08	
	客戶品號 CUSTOMER P/N	比例 SCALE	None	承認 APPROVED	John 2015/09/08	
	公差 TOLERANCE	.X ± 0.25 .XX ± 0.2	單位 UNIT	mm	THIRD ANGLE PROJECTION	

Amtek's board-to-wire connectors establish the connectivity between wire and a printed circuit board (PCB). They provide robust, modular, compact connector solutions to anticipate and meet the growing demands our customers face.

2001 Series 2.0mm Wafer Right Angle Type



Specification:

Current Rating: 1A AC/DC
Voltage Rating: 100V AC/DC
Temperature Range: -25°C to +85°C
Contact Resistance: 20mΩ Max
Insulation Resistance: 1000MΩ Min
Withstanding Voltage: 800V AC/minute

Material

Contact Pin: Brass/Tin-plated
Insulator: Nylon 66, UL 94V-0