

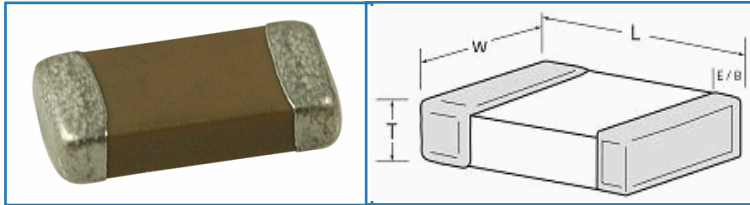
# DATASHEET

## C0402C0G500-3R0CNE

GENERAL PURPOSE CERAMIC CAPACITORS (C SERIES)  
0402, C0G, 50V, 3pF,  $\pm 0.25\text{pF}$ , 100% matte Tin(Sn) over Nickel



VENKEL LTD.



### SIZE SPECIFICATIONS units: inches

Length:	0.040
Width:	0.020
T(max):	0.025
Min E/B:	0.004
Size(EIA):	0402

### COMPONENT SPECIFICATIONS

Category:	Ceramic Capacitors
Series:	General Purpose (C Series)
Size:	0402
Dielectric:	C0G
Voltage:	50V
Capacitance:	3pF
Tolerance:	$\pm 0.25\text{pF}$
Termination:	100% matte Tin(Sn) over Nickel
Packaging:	Embossed Tape (7" Reel)
Quantity per Reel:	10,000

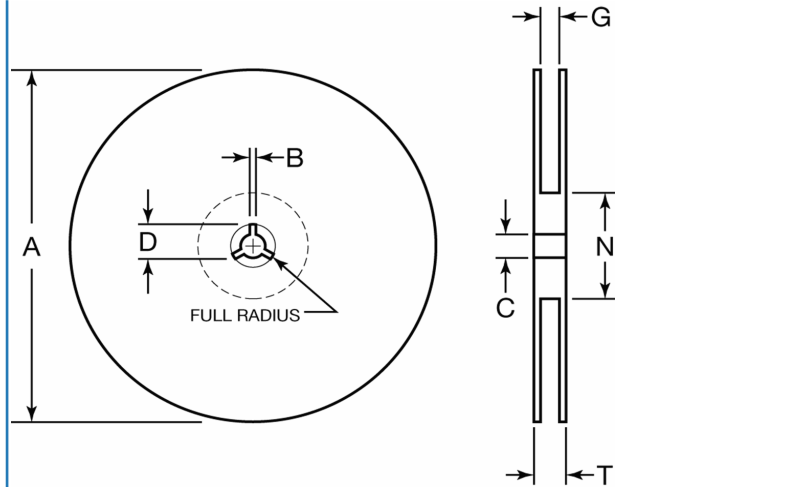
### DIELECTRIC SPECIFICATIONS

Temperature Coefficient:	$0 \pm 30\text{PPM}/^\circ\text{C}$
Temperature Voltage Coefficient	$0 \pm 30\text{PPM}/^\circ\text{C}$
Ageing:	None
Withstanding Voltage:	>2.5 times VDCW
Operating Temp:	$-55^\circ\text{C}$ to $+125^\circ\text{C}$
Dissipation Factor:	0.1% max

### COMPLIANCE STATUS

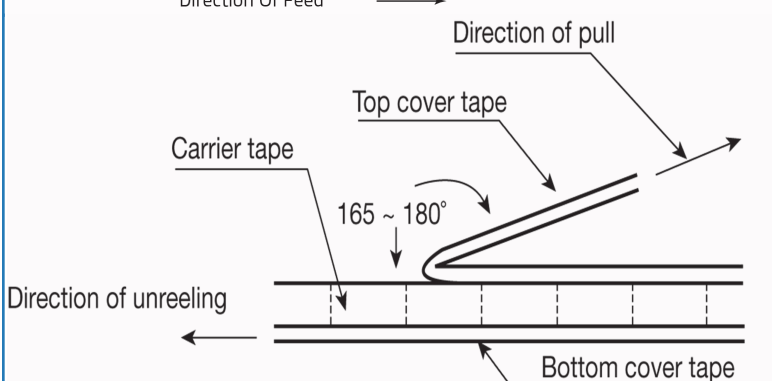
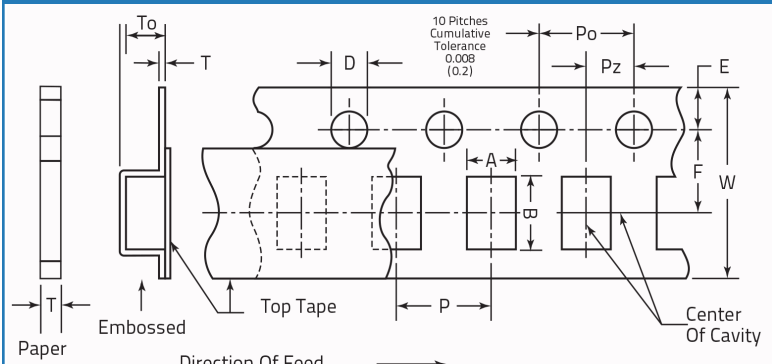
RoHS Status	6 of 6 Compliant
REACH Status	Compliant
Halogen Status	Halogen Free
Conflict Mineral Status	Conflict Mineral Free

### REEL DIMENSIONS units: mm



Tape	B min	C	A(7")	A(13")	D Min	N Min	G	T max
8mm	0.30	$13 \pm 0.05$	$178 \pm 2.0$	$330 \pm 2.0$	20.20	50.00	$10 \pm 1.5$	14.90

### TAPING SPECIFICATIONS units: mm



A	B	W	F	E	Po
$0.65 \pm 0.1$	$1.10 \pm 0.2$	$8.0 \pm 0.2$	$3.5 \pm 0.1$	$1.75 \pm 0.1$	$4.0 \pm 0.1$
Pz	D	T	P	To	T(E)
$2.0 \pm 0.05 - 0.0$	$1.5 \pm 0.1$	1.15 MAX	$2.0 \pm 0.05$		