

Ordering Code:

CU01 S A V 0 S 00
 ① ② ③ ④ ⑤ ⑥ ⑦

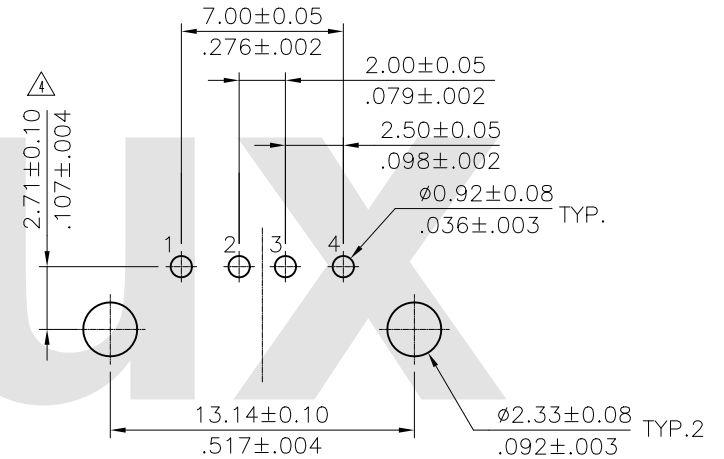
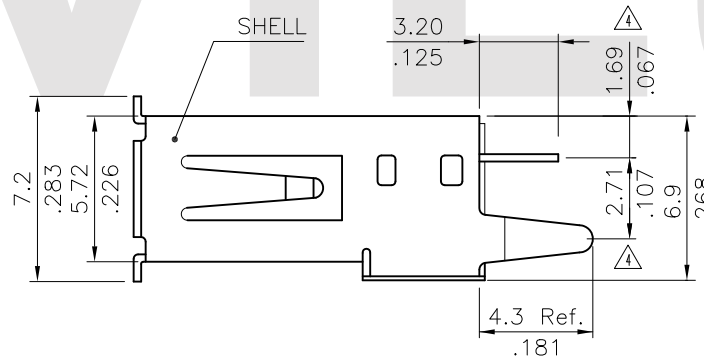
- ① Series No.
- ② S= Socket
- ③ Plating option:
 A= Selective Gold flash plated over 50µin Nickel
 C= Selective 30µin Gold plated over 50µin Nickel
- ④ V= Straight DIP
- ⑤ Insulator Color: 1= Black, 0= White
- ⑥ S= Single port
- ⑦ Option: 00= Standard

Materials :

Insulator : Glass filled polyester UL 94V-0
 Color Beige

Contacts : Phosphor Bronze

△Shell Plating: 80µ Nickel over 50µ Cu



Recommended P.C. Board Layout



RoHS Compliant

△4	Sun	7/07/15'	ECRB115038/ECNT115162	2015.07.09	DATE	UNIT: mm / inch	TITLE: U.S.B TYPE-A STRAIGHT BOARD MOUNT SOCKET	瀚荃股份有限公司 CviLux Corporation		
△3	Hank	11/8/06'	ECN06412	ISSUED	DRAWN BY: Sun	7/7-15'	TOLERANCE UNLESS OTHERWISE SPECIFIED			
△2	Sun	7/01/05'	ECR05062-0/ECN05231		ENGINEER: Sun	7/7-15'	.X ± 0.30 / .012 .X' ± 1"	DRAWING NO. CU0112SH		
△1	Sandy	12/30/04'	ECN04516		CHECKED BY: EisleY	7/8-15'	.XX ± 0.20 / .008 .X' ±	PART NO. CU01S*V*S00		
SYM	NAME	DATE	REVISIONS		APPROVED BY: EisleY	7/8-15'	.XXX ± 0.10 / .004 .XX' ±	FINISH:		
								SCALE	3 / 1	SHEET 1 OF 1