



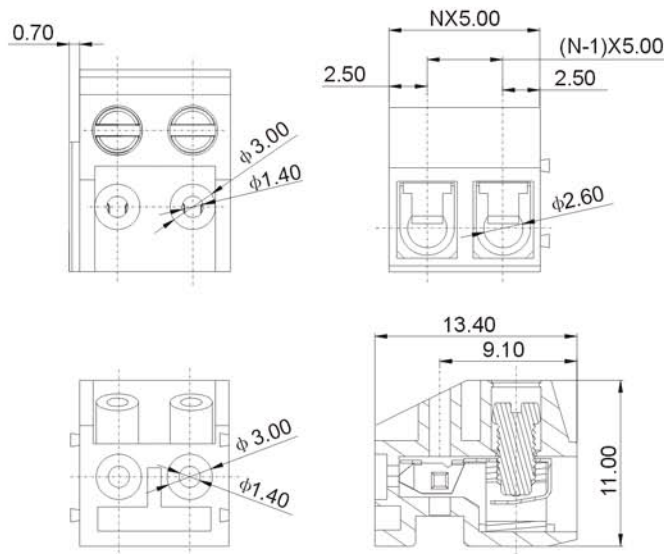
DEGSON ELECTRONICS CO., LTD.

Product Specification



DG332K-5.0

Material	
Screws :	M2.5 steel Zinc plated
Wire guard:	Phosphor bronze, Ni plated
Contact :	Brass, Tin plated
Housing :	PBT, UL94V-0
Electrical	
Rated voltage :	300V
Rated current :	10A
Contact resistance :	20mΩ
Insulation resistance :	5000MΩ /DC 1000V
Withstanding voltage:	AC2000V/1Min
Wire range :	28-16AWG 1.5mm ²
Mechanical	
Temp. Range :	-30°C~+120°C
Torque :	0.4Nm(3.6lb.in)
Strip length :	4.5mm



HOW TO ORDER:



Series No.

No of Pole

Color

1 Gray	4 Green	7 Trans- parent
2 Blue	5 Orange	8 Yellow
3 Black	6 Red	9 White

	DEGSON ELECTRONICS CO., LTD.
	NAME DG332K-5.0

DG332K-5.0 is a 5.0mm Plug from Degson that is compatible with a Pin-Strip, it is a very competitive Plug & Socket combination. The plugs are interlocking so can be made up with any number of ways and the Pin-Strip comes in a 24 way as standard but are easily snap-able down to any number of ways.

DG332k-5.0 series is UL (E228872) approved.

- Pitch 5.0mm
- Plug & Pin-Strip
- 10.8mm High – 13.4mm Depth
- Ambient Temperature – -40 + 105C
- Housing – PA66
- Screw M2.5 – Combi
- UL file number E228872 – 16-28awg – 10A @ 300v
- Interlocking Plugs