

IP67 Sealed Toggle Switches

Highest quality for the most demanding applications



3000 Series

Standard 15/32" diameter bushing. Standard Bat length is .560".

Current Rating	Catalog No.		Action	Termination
15A -125VAC, 10A-250VAC	3005C	Fig 1	SPST on-none-off	.250" QC
15A -125VAC, 10A-250VAC	3005D	Fig 2	SPST on-none-off	6" Wire Leads, #16 Gauge
15A -125VAC, 10A-250VAC	3001C	Fig 1	SPDT on-none-on	.250" QC
15A -125VAC, 10A-250VAC	3001D	Fig 2	SPDT on-none-on	6" Wire Leads, #16 Gauge
15A -125VAC, 10A-250VAC	3002C	Fig 1	SPDT on-off-on	.250" QC
15A -125VAC, 10A-250VAC	3002D	Fig 2	SPDT on-off-on	6" Wire Leads, #16 Gauge

3000 Series Toggle

Electrical Rating: 15A - 125 VAC , 10A - 250 VAC

Life Cycles: 100,000 Electrical 100,000 Mechanical

Operating Temp: -10 °C to +65 °C

Sealing: seal tested per IP67 standards to withstand submersion in water to a depth of 1 meter for 30 minutes, Meets IP68

Dielectric Strength 1000 Volts RMS Minimum

Mounting Means 15/32" Bushing, Keyway .078 - .083 Wide X .037 - .043 Deep, Standard Hardware supplied

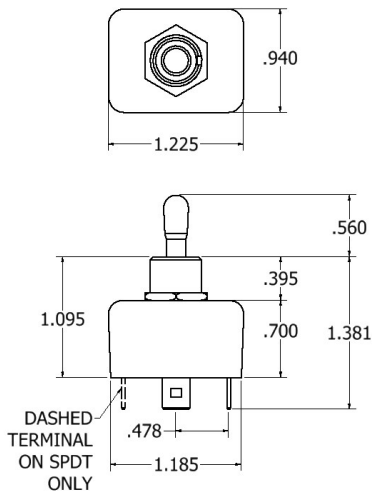


Fig 1

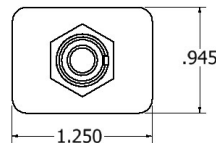
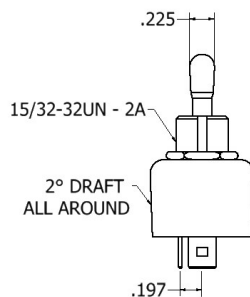
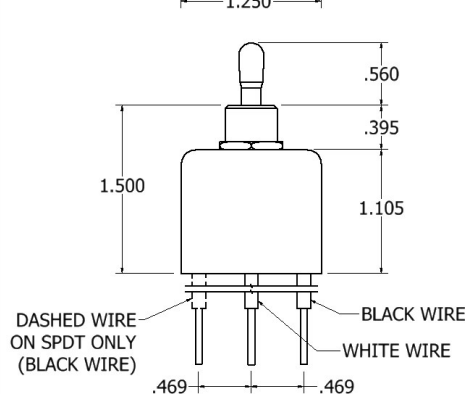


Fig 2



All Information subject to change without notice

IP67 Sealed Toggle Switches

Highest quality for the most demanding applications



3100 Series

Standard 15/32" diameter bushing. Standard Bat length is .560".

Current Rating	Catalog No.		Action	Termination
6A -125VAC, 3A-250VAC	3105C	Fig 1	SPST on-none-off	.250" QC
6A -125VAC, 3A-250VAC	3105D	Fig 2	SPST on-none-off	6" Wire Leads, #16 Gauge
6A -125VAC, 3A-250VAC	3101C	Fig 1	SPDT on-none-on	.250" QC
6A -125VAC, 3A-250VAC	3101D	Fig 2	SPDT on-none-on	6" Wire Leads, #16 Gauge
6A -125VAC, 3A-250VAC	3102C	Fig 1	SPDT on-off-on	.250" QC
6A -125VAC, 3A-250VAC	3102D	Fig 2	SPDT on-off-on	6" Wire Leads, #16 Gauge

3100 Series Toggle

Electrical Rating: 6A - 125 VAC , 3A - 250 VAC

Life Cycles: 25,000 **Electrical** (Optional 75,000 with silver rocker) 50,000 **Mechanical** (Optional 100,000 with silver rocker)

Operating Temp: -10 °C to +65 °C

Sealing: seal tested per IP67 standards to withstand submersion in water to a depth of 1 meter for 30 minutes, Meets IP68

UL Recognized File No. E66512, Vol 1, Sec.12

Dielectric Strength 1000 Volts RMS Minimum

Mounting Means 15/32" Bushing, Keyway .078 - .083 Wide X .037 - .043 Deep, Standard Hardware supplied

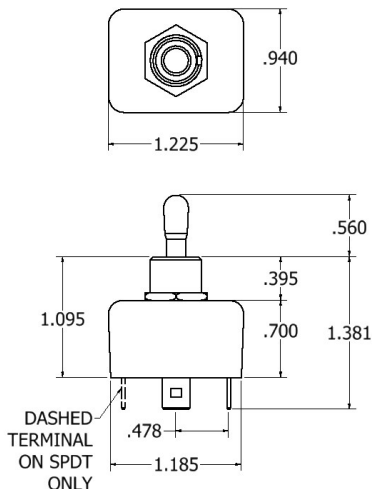


Fig 1

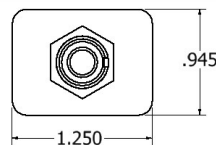
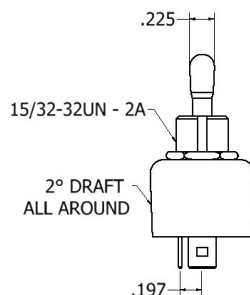
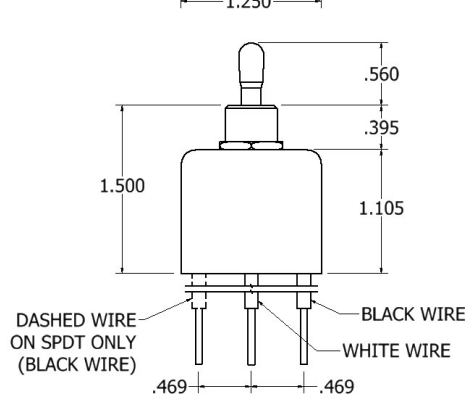


Fig 2



All Information subject to change without notice

IP67 Sealed Toggle Switches

Highest quality for the most demanding applications



3300 Series

Standard 15/32" diameter bushing. Standard Bat length is .560".

Current Rating	Catalog No.		Action	Termination
20A -125VAC, 1 HP	3305C	Fig 1	SPST on-none-off	.250" QC
20A -125VAC, 1 HP	3305D	Fig 2	SPST on-none-off	6" Wire Leads, #16 Gauge
20A -125VAC, 1 HP	3301C	Fig 1	SPDT on-none-on	.250" QC
20A -125VAC, 1 HP	3301D	Fig 2	SPDT on-none-on	6" Wire Leads, #16 Gauge
20A -125VAC, 1 HP	3302C	Fig 1	SPDT on-off-on	.250" QC
20A -125VAC, 1 HP	3302D	Fig 2	SPDT on-off-on	6" Wire Leads, #16 Gauge

3300 Series Toggle

Electrical Rating: 20A - 125 VAC , 10A - 250 VAC, 1 HP 125-250 VAC

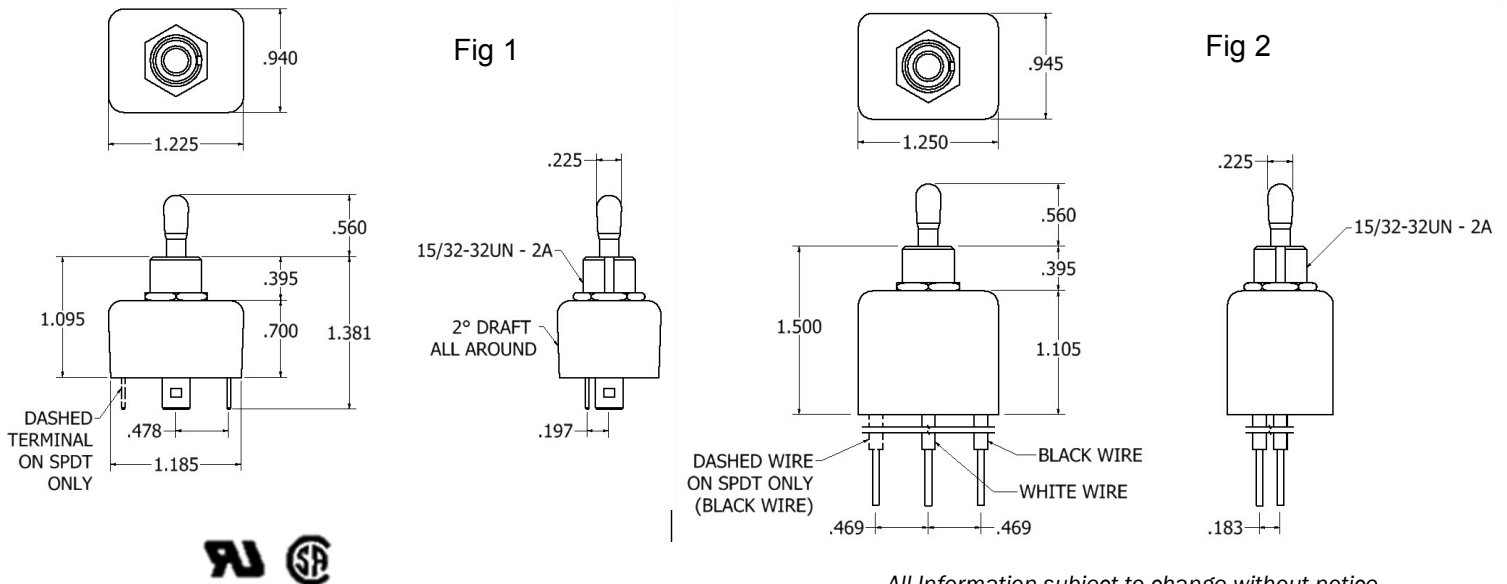
Life Cycles: 100,000 Electrical 100,000 Mechanical

Operating Temp: -10 °C to +65 °C

Sealing: seal tested per IP67 standards to withstand submersion in water to a depth of 1 meter for 30 minutes, Meets IP68

Dielectric Strength 1000 Volts RMS Minimum

Mounting Means 15/32" Bushing, Keyway .078 - .083 Wide X .037 - .043 Deep, Standard Hardware supplied



All Information subject to change without notice