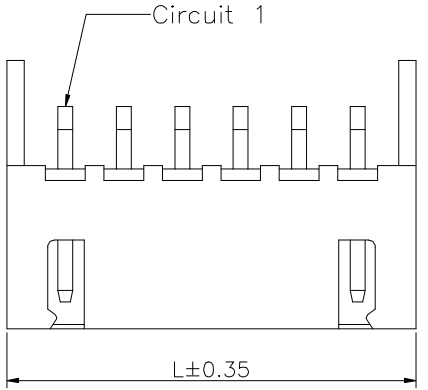


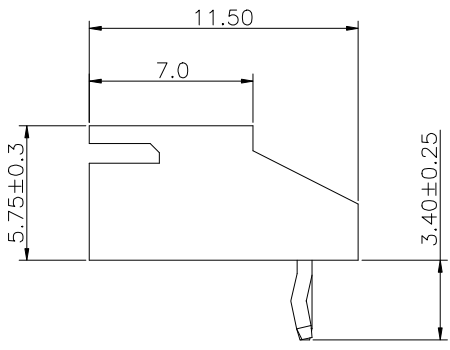
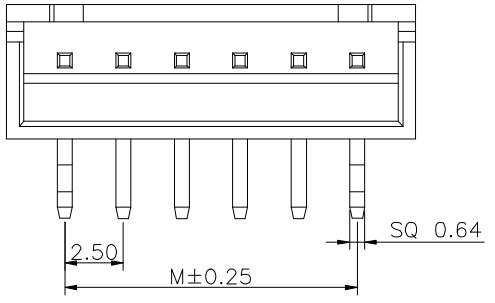
1 2 3 4 5 6 7 8 9

F  
E  
D  
C  
B  
A

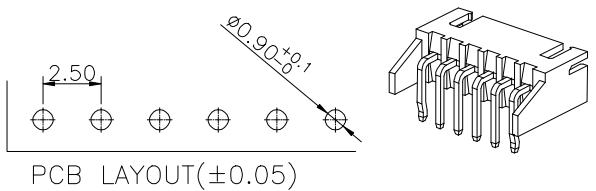


Poles	Dimensions(mm)		Poles	Dimensions(mm)	
	M	L		M	L
02	2.50	7.50	13	30.00	35.00
03	5.00	10.00	14	32.50	37.50
04	7.50	12.50	15	35.00	40.00
05	10.00	15.00	16	37.50	42.50
06	12.50	17.50	17	40.00	45.00
07	15.00	20.00	18	42.50	47.50
08	17.50	22.50	19	45.00	50.00
09	20.00	25.00	20	47.50	52.50
10	22.50	27.50			
11	25.00	30.00			
12	27.50	32.50			

Specifications :  
 Voltage rating: 250V AC / DC  
 Current rating: 3A AC / DC  
 Withstanding voltage: 1000V AC/minute  
 Temperature range: -25°C~+85°C  
 Insulation resistance: 1000MΩ min  
 Contact resistance: ≤10mΩ  
 After environmental testing: ≤20mΩ



Series No.  
 Category: wafer  
 Welding Board Angle: 90°  
 Welding Way: DIP  
 Material: NY66 94V-0  
 Material(Pin): Brass  
 All materials must meet Greenconn requirement for environment protection.



### Ordering Information

G WGB102 - XX XX A 805 E X Z X

No. of Pins per Row: 02~20  
 Standard Plating: 01=Tin  
 Color: 2=White  
 Standard Packing: N=PE Bag

格菱股份有限公司  
**Greenconn Corporation**

REV. 01 UNIT. mm SCALE. 1:1 PAGE. 1/1

GENERAL TOLERANCE	
X.±/	X.±/
.X'±/	.X±0.30
.XX'±/	.XX±0.20
.XXX'±/	.XXX±0.10

DESIGN: / DATE: /  
 CHECKED: / DATE: /  
 AUDITED: / DATE: /

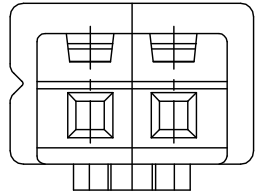
DWG. NO. GWGB102-CA805EZ  
 PART NO. GWGB102-XXXXA805EXZX

TITLE. 2.50mm Crimp Style Connectors

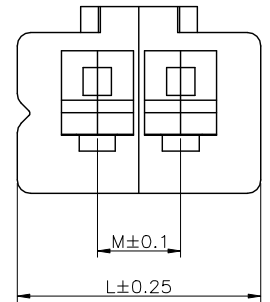
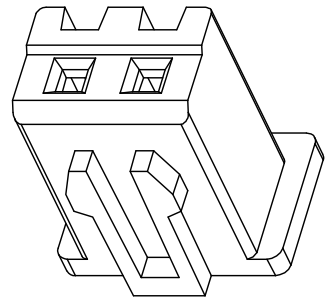
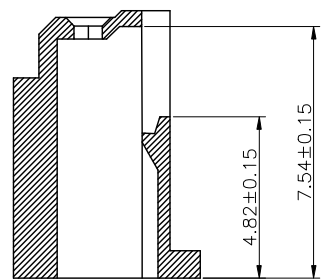
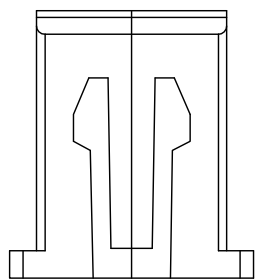
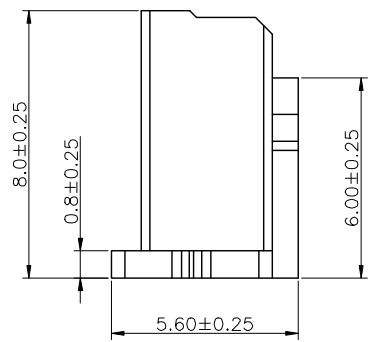
1 2 3 4 5 6 7 8 9

1 2 3 4 5 6 7 8 9

F  
E  
D  
C  
B  
A



Specifications  
 Current Rating:3Amp  
 Voltage Rsting:250V AC/DC  
 Temperature Range:-25°C to +85°C  
 Contact Resistance:10mΩ Max.  
 Insulation Resistance:1000MΩ Min.  
 Withstanding Volatge:1000V AC/minute  
 Materials  
 Contact Material:PA66  
 All materials must meet GREENCONN  
 hazardous substances control standards.



**Ordering Information**

GFG041 - XX A XX

No. of Pins  
02-16

Materials /Color  
P1=NY 66/White

Pins	DIMENSIONS	
	L	M
02	7.30	2.5
03	9.80	5.0
04	12.30	7.5
05	14.80	10.0
06	17.30	12.5
07	19.80	15.0
08	22.30	17.5
09	24.80	20.0
10	27.30	22.5
11	29.80	25.0
12	32.30	27.5
13	34.80	30.0
14	37.30	32.5
15	39.80	35.0
16	42.30	37.5

格稜股份有限公司  
**Greenconn Corporation**

REV. A UNIT. mm SCALE. 1:1 PAGE. 1/1

GENERAL TOLERANCE	
X:±	X.±
.X'±	.X±0.25
.XX'±	.XX±0.15
.XXX'±	.XXX±0.10

DESIGNED: \_\_\_\_\_ DATE: \_\_\_\_\_  
 CHECKED: \_\_\_\_\_ DATE: \_\_\_\_\_  
 APPROVED: \_\_\_\_\_ DATE: \_\_\_\_\_

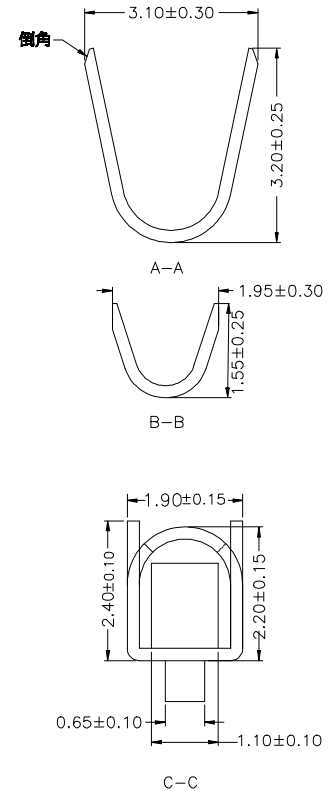
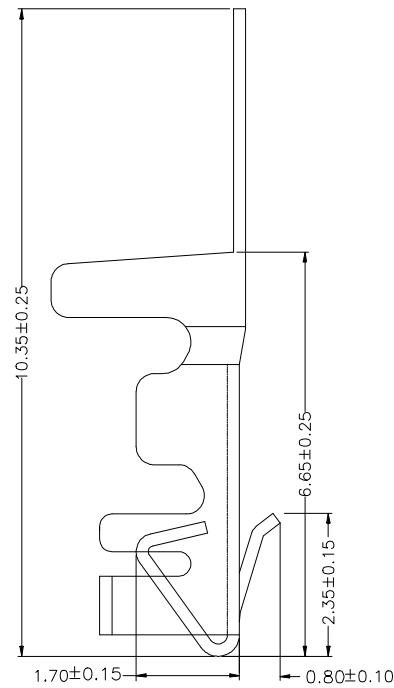
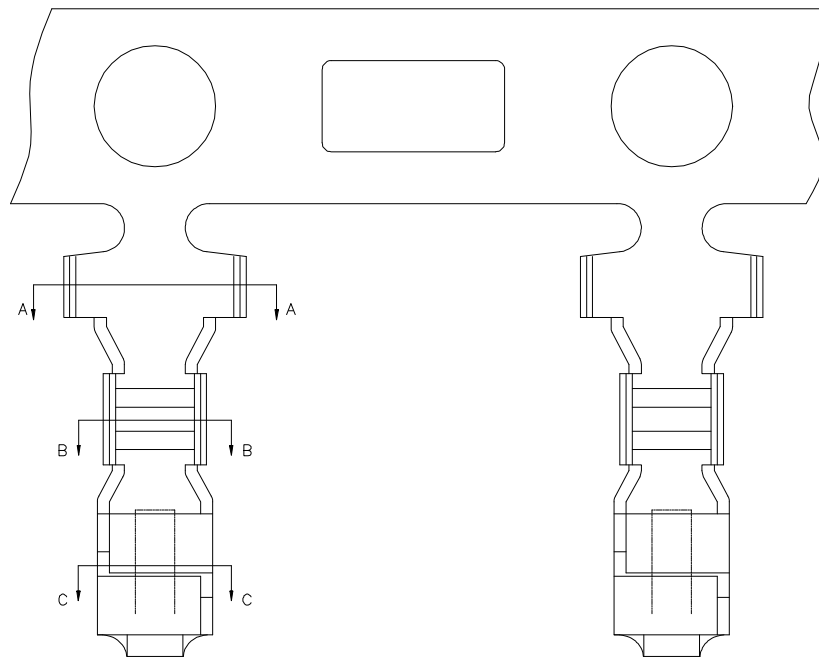
DWG. NO.  
GFG041-HA  
 PART NO.  
GFG041-XX A XX

TITLE.  
2.5mm pitch housing

1 2 3 4 5 6 7 8 9

1 2 3 4 5 6 7 8 9

F  
E  
D  
C  
B  
A



Contact Material: Phosphor Bronze  
 Finish: See Part Number  
 Wire range: AWG#22~28  
 Insulation O.D: 1.9mm(max)  
 Qty/Reel: 7000  
 All materials must meet GREENCONN  
 hazardous substances control standards.

**Ordering Information**

GRG115 - 01 XX XX  
 Standard Plating: 01=Tin, 02=Gold Flash  
 Materials: AB=Phosphor Bronze

格稜股份有限公司  
**Greenconn Corporation**

REV. B UNIT. mm SCALE. 1:1 PAGE. 1/1

GENERAL TOLERANCE	
X.±	X.±
.X'±	.X±0.25
.XX'±	.XX±0.15
.XXX'±	.XXX±0.10

DESIGNED: DATE:  
 CHECKED: DATE:  
 APPROVED: DATE:

DWG. NO. GRG115-T1  
 PART NO. GRG115-01 XX XX

TITLE. 2.5mm pitch Terminal

9B 1 2 3 4 5 6 7 8 9