

THERMALLY PROTECTED SERIES

INTRODUCTION

The Thermally Protected Series is designed for safe disconnection of the varistor from the circuit due to abnormal operating conditions. These components consist of 2 or 3 lead wire leads, a thermal disconnect, and have nominal diameters of 14mm, 20mm, and 25mm. Voltage ranges from 60VAC-750VAC with peak surge currents of 4.5kA/6kA (14mm), 10kA (20mm), and 18kA (25mm).

STYLE DESIGNATION

The Maida Style Number is the typical means to identify our components when ordered. The style number identifies several parameters that are important for the characteristics of the device. An alternative ordering method, if known, is by our Item Number.

The following example is the standard part numbering system when ordering our Thermally Protected Series components by the Maida Style Number:

STANDARD MARKING

Minimum marking shall consist of an abbreviated style designation and, when space is available, the manufacturer's initials or company logo.

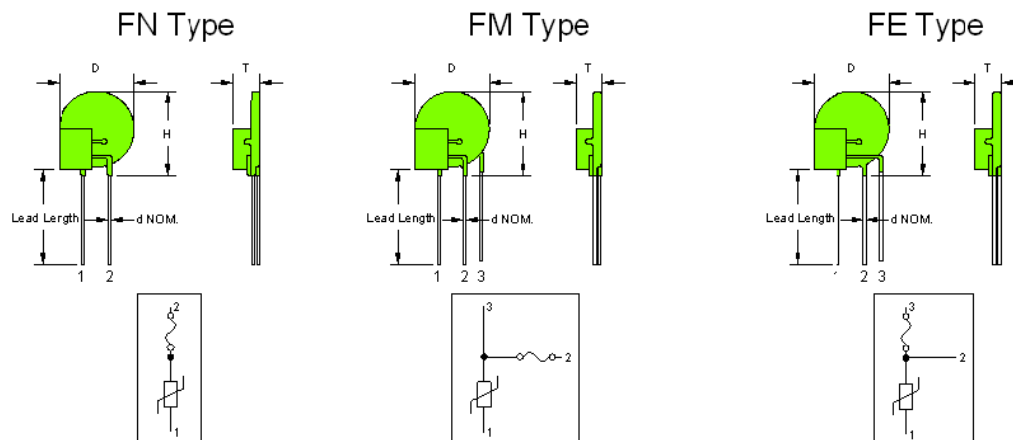
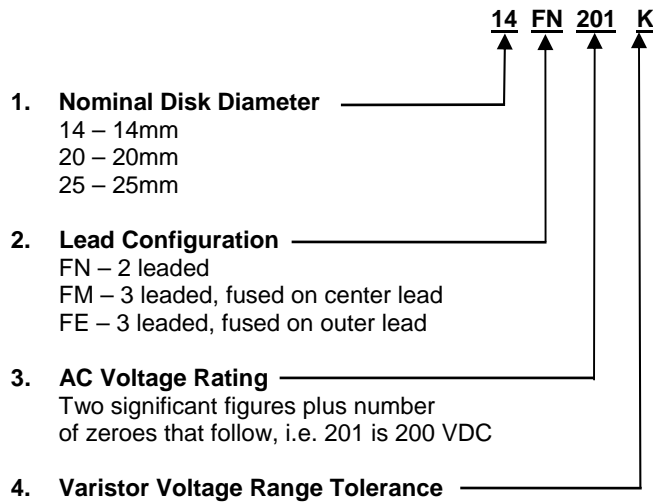
Example:
MDC
FV
14N201

Where:

MDC - Company Initials
FV - Fail safe Varistor
14 - Diameter
N - Series Designation (FN, FM, FE)
201 - Nominal DC Voltage Rating (200VDC)

A manufacturing date code and/or special markings are available upon request.

Other safety agency designations are included where applicable.



THERMALLY PROTECTED SERIES

SPECIFICATIONS

50VAC thru 140VAC VARISTORS

Maida Style Number	Recognitions To Safety Agency Standards						Nominal Size (mm)	Minimum Marking	Maximum Ratings						Electrical Characteristics				
									Applied Voltage		Transient				Varistor Voltage @1 mA DC		Max Clamping Voltage (@Test Current)		Typical Cap. 1 V rms @1kHz (pF)
											Energy		Peak Current						
											10 x 1000 μ sec	8 x 20 μ sec	8 x 20 # Pulses						
									A	B	C	D	E	F	(AC)	(DC)	(J)	(J)	1
14FE820K	X					14	MDC-FV-14E820K	50	65	27	27	4500	2500	74	90	135	50	2400	
14FM820K	X					14	MDC-FV-14M820K	50	65	27	27	4500	2500	74	90	135	50	2400	
14FN820K	X					14	MDC-FV-14N820K	50	65	27	27	4500	2500	74	90	135	50	2400	
20FE820K	X					20	MDC-FV-20E820K	50	65	56	56	10000	6500	74	90	135	100	4900	
20FM820K	X					20	MDC-FV-20M820K	50	65	56	56	10000	6500	74	90	135	100	4900	
20FN820K	X					20	MDC-FV-20N820K	50	65	56	56	10000	6500	74	90	135	100	4900	
14FE101K	X					14	MDC-FV-14E101K	60	85	33	33	4500	2500	90	110	165	50	2000	
14FM101K	X					14	MDC-FV-14M101K	60	85	33	33	4500	2500	90	110	165	50	2000	
14FN101K	X					14	MDC-FV-14N101K	60	85	33	33	4500	2500	90	110	165	50	2000	
20FE101K	X					20	MDC-FV-20E101K	60	85	70	70	10000	6500	90	110	165	100	4000	
20FM101K	X					20	MDC-FV-20M101K	60	85	70	70	10000	6500	90	110	165	100	4000	
20FN101K	X					20	MDC-FV-20N101K	60	85	70	70	10000	6500	90	110	165	100	4000	
14FE121K	X					14	MDC-FV-14E121K	75	100	40	40	4500	2500	108	132	200	50	1700	
14FM121K	X					14	MDC-FV-14M121K	75	100	40	40	4500	2500	108	132	200	50	1700	
14FN121K	X					14	MDC-FV-14N121K	75	100	40	40	4500	2500	108	132	200	50	1700	
20FE121K	X					20	MDC-FV-20E121K	75	100	85	85	10000	6500	108	132	200	100	3300	
20FM121K	X					20	MDC-FV-20M121K	75	100	85	85	10000	6500	108	132	200	100	3300	
20FN121K	X					20	MDC-FV-20N121K	75	100	85	85	10000	6500	108	132	200	100	3300	
14FE151K	X					14	MDC-FV-14E151K	95	125	50	50	6000	4500	135	165	250	50	1300	
14FM151K	X					14	MDC-FV-14M151K	95	125	50	50	6000	4500	135	165	250	50	1300	
14FN151K	X					14	MDC-FV-14N151K	95	125	50	50	6000	4500	135	165	250	50	1300	
20FE151K	X					20	MDC-FV-20E151K	95	125	100	100	10000	6000	135	165	250	100	2700	
20FM151K	X					20	MDC-FV-20M151K	95	125	100	100	10000	6000	135	165	250	100	2700	
20FN151K	X					20	MDC-FV-20N151K	95	125	100	100	10000	6000	135	165	250	100	2700	
25FE151K	X					25	MDC-FV-25E151K	95	125	160	160	15000	12000	135	165	250	150	4300	
25FM151K	X					25	MDC-FV-25M151K	95	125	160	160	15000	12000	135	165	250	150	4300	
25FN151K	X					25	MDC-FV-25N151K	95	125	160	160	15000	12000	135	165	250	150	4300	
14FE181K	X					14	MDC-FV-14E181K	115	150	58	58	6000	4500	162	198	300	50	1100	
14FM181K	X					14	MDC-FV-14M181K	115	150	58	58	6000	4500	162	198	300	50	1100	
14FN181K	X					14	MDC-FV-14N181K	115	150	58	58	6000	4500	162	198	300	50	1100	
20FE181K	X					20	MDC-FV-20E181K	115	150	110	110	10000	6000	162	198	300	100	2200	
20FM181K	X					20	MDC-FV-20M181K	115	150	110	110	10000	6000	162	198	300	100	2200	
20FN181K	X					20	MDC-FV-20N181K	115	150	110	110	10000	6000	162	198	300	100	2200	
25FE181K	X					25	MDC-FV-25E181K	115	150	175	175	15000	12000	162	198	300	150	3500	
25FM181K	X					25	MDC-FV-25M181K	115	150	175	175	15000	12000	162	198	300	150	3500	
25FN181K	X					25	MDC-FV-25N181K	115	150	175	175	15000	12000	162	198	300	150	3500	
14FE201K	X					14	MDC-FV-14E201K	130	170	70	70	6000	4500	185	225	340	50	1000	
14FM201K	X					14	MDC-FV-14M201K	130	170	70	70	6000	4500	185	225	340	50	1000	
14FN201K	X					14	MDC-FV-14N201K	130	170	70	70	6000	4500	185	225	340	50	1000	
20FE201K	X					20	MDC-FV-20E201K	130	170	140	140	10000	6000	185	225	340	100	2000	
20FM201K	X					20	MDC-FV-20M201K	130	170	140	140	10000	6000	185	225	340	100	2000	
20FN201K	X					20	MDC-FV-20N201K	130	170	140	140	10000	6000	185	225	340	100	2000	
25FE201K	X					25	MDC-FV-25E201K	130	170	210	210	15000	12000	185	225	340	150	3200	
25FM201K	X					25	MDC-FV-25M201K	130	170	210	210	15000	12000	185	225	340	150	3200	
25FN201K	X					25	MDC-FV-25N201K	130	170	210	210	15000	12000	185	225	340	150	3200	
14FE221K	X					14	MDC-FV-14E221K	140	180	78	78	6000	4500	198	242	360	50	900	
14FM221K	X					14	MDC-FV-14M221K	140	180	78	78	6000	4500	198	242	360	50	900	
14FN221K	X					14	MDC-FV-14N221K	140	180	78	78	6000	4500	198	242	360	50	900	
20FE221K	X					20	MDC-FV-20E221K	140	180	155	155	10000	6000	198	242	360	100	1800	
20FM221K	X					20	MDC-FV-20M221K	140	180	155	155	10000	6000	198	242	360	100	1800	
20FN221K	X					20	MDC-FV-20N221K	140	180	155	155	10000	6000	198	242	360	100	1800	
25FE221K	X					25	MDC-FV-25E221K	140	180	230	230	15000	12000	198	242	360	150	2900	
25FM221K	X					25	MDC-FV-25M221K	140	180	230	230	15000	12000	198	242	360	150	2900	
25FN221K	X					25	MDC-FV-25N221K	140	180	230	230	15000	12000	198	242	360	150	2900	

NOTES:

Appendix A lists the single-pulse peak current and energy ratings on file with the Safety Agencies.

Maximum transient rating specified in this table are valid. They may differ from those shown in Appendix A.

- A = UL1449
- B = cUL
- C = CSA
- D = VDE
- E =
- F =

50VAC thru 140VAC VARISTORS

Maida Style Number	MAX. Diameter (D) (in)	MAX. Thickness (T) (in)	MAX. Height (H) (in)	Typical X Dimension (in)	Typical X Tolerance (in)	Typical Y Dimension (in)	Typical Y Tolerance (in)	Typical Z Dimension (in)	Typical Z Tolerance (in)	Typical Wire Diameter (d) (in)
14FE820K	0.748	0.386	0.827	0.295	0.039	0.150	0.030	0.295	0.039	0.032
14FM820K	0.748	0.386	0.827	0.295	0.039	0.150	0.030	0.295	0.039	0.032
14FN820K	0.748	0.386	0.827	0.295	0.039	0.150	0.030	0.295	0.039	0.032
20FE820K	0.945	0.386	1.024	0.295	0.039	0.150	0.030	0.295	0.039	0.040
20FM820K	0.945	0.386	1.024	0.295	0.039	0.150	0.030	0.295	0.039	0.040
20FN820K	0.945	0.386	1.024	0.295	0.039	0.150	0.030	0.295	0.039	0.040
14FE101K	0.748	0.386	0.827	0.295	0.039	0.150	0.030	0.295	0.039	0.032
14FM101K	0.748	0.386	0.827	0.295	0.039	0.150	0.030	0.295	0.039	0.032
14FN101K	0.748	0.386	0.827	0.295	0.039	0.150	0.030	0.295	0.039	0.032
20FE101K	0.945	0.386	1.024	0.295	0.039	0.150	0.030	0.295	0.039	0.040
20FM101K	0.945	0.386	1.024	0.295	0.039	0.150	0.030	0.295	0.039	0.040
20FN101K	0.945	0.386	1.024	0.295	0.039	0.150	0.030	0.295	0.039	0.040
14FE121K	0.748	0.386	0.827	0.295	0.039	0.150	0.030	0.295	0.039	0.032
14FM121K	0.748	0.386	0.827	0.295	0.039	0.150	0.030	0.295	0.039	0.032
14FN121K	0.748	0.386	0.827	0.295	0.039	0.150	0.030	0.295	0.039	0.032
20FE121K	0.945	0.386	1.024	0.295	0.039	0.394	0.030	0.295	0.039	0.040
20FM121K	0.945	0.386	1.024	0.295	0.039	0.394	0.030	0.295	0.039	0.040
20FN121K	0.945	0.386	1.024	0.295	0.039	0.394	0.030	0.295	0.039	0.040
14FE151K	0.748	0.386	0.827	0.295	0.039	0.150	0.030	0.295	0.039	0.032
14FM151K	0.748	0.386	0.827	0.295	0.039	0.150	0.030	0.295	0.039	0.032
14FN151K	0.748	0.386	0.827	0.295	0.039	0.150	0.030	0.295	0.039	0.032
20FE151K	0.945	0.386	1.024	0.295	0.039	0.150	0.030	0.295	0.039	0.040
20FM151K	0.945	0.386	1.024	0.295	0.039	0.150	0.030	0.295	0.039	0.040
20FN151K	0.945	0.386	1.024	0.295	0.039	0.150	0.030	0.295	0.039	0.040
25FE151K	1.142	0.465	1.260	0.492	0.039	0.150	0.030	0.492	0.039	0.040
25FM151K	1.142	0.465	1.260	0.492	0.039	0.150	0.030	0.492	0.039	0.040
25FN151K	1.142	0.465	1.260	0.492	0.039	0.150	0.030	0.492	0.039	0.040
14FE181K	0.748	0.386	0.827	0.295	0.039	0.150	0.030	0.295	0.039	0.032
14FM181K	0.748	0.386	0.827	0.295	0.039	0.150	0.030	0.295	0.039	0.032
14FN181K	0.748	0.386	0.827	0.295	0.039	0.150	0.030	0.295	0.039	0.032
20FE181K	0.945	0.386	1.024	0.295	0.039	0.150	0.030	0.295	0.039	0.040
20FM181K	0.945	0.386	1.024	0.295	0.039	0.150	0.030	0.295	0.039	0.040
20FN181K	0.945	0.386	1.024	0.295	0.039	0.150	0.030	0.295	0.039	0.040
25FE181K	1.142	0.465	1.260	0.492	0.039	0.150	0.030	0.492	0.039	0.040
25FM181K	1.142	0.465	1.260	0.492	0.039	0.150	0.030	0.492	0.039	0.040
25FN181K	1.142	0.465	1.260	0.492	0.039	0.150	0.030	0.492	0.039	0.040
14FE201K	0.748	0.386	0.827	0.295	0.039	0.150	0.030	0.295	0.039	0.032
14FM201K	0.748	0.386	0.827	0.295	0.039	0.150	0.030	0.295	0.039	0.032
14FN201K	0.748	0.386	0.827	0.295	0.039	0.150	0.030	0.295	0.039	0.032
20FE201K	0.945	0.386	1.024	0.295	0.039	0.150	0.030	0.295	0.039	0.040
20FM201K	0.945	0.386	1.024	0.295	0.039	0.150	0.030	0.295	0.039	0.040
20FN201K	0.945	0.386	1.024	0.295	0.039	0.150	0.030	0.295	0.039	0.040
25FE201K	1.142	0.465	1.260	0.492	0.039	0.150	0.030	0.492	0.039	0.040
25FM201K	1.142	0.465	1.260	0.492	0.039	0.150	0.030	0.492	0.039	0.040
25FN201K	1.142	0.465	1.260	0.492	0.039	0.150	0.030	0.492	0.039	0.040
14FE221K	0.748	0.386	0.827	0.295	0.039	0.150	0.030	0.295	0.039	0.032
14FM221K	0.748	0.386	0.827	0.295	0.039	0.150	0.030	0.295	0.039	0.032
14FN221K	0.748	0.386	0.827	0.295	0.039	0.150	0.030	0.295	0.039	0.032
20FE221K	0.945	0.386	1.024	0.295	0.039	0.150	0.030	0.295	0.039	0.040
20FM221K	0.945	0.386	1.024	0.295	0.039	0.150	0.030	0.295	0.039	0.040
20FN221K	0.945	0.386	1.024	0.295	0.039	0.150	0.030	0.295	0.039	0.040
25FE221K	1.142	0.465	1.260	0.492	0.039	0.150	0.030	0.492	0.039	0.040
25FM221K	1.142	0.465	1.260	0.492	0.039	0.150	0.030	0.492	0.039	0.040
25FN221K	1.142	0.465	1.260	0.492	0.039	0.150	0.030	0.492	0.039	0.040

NOTE: Alternate dimensional specifications, including lead styles, for any part listed may be available upon request. Please contact us for any inquiries.

THERMALLY PROTECTED SERIES

SPECIFICATIONS

150VAC thru 250VAC VARISTORS

Maida Style Number	Recognitions To Safety Agency Standards						Nominal Size (mm)	Minimum Marking	Maximum Ratings						Electrical Characteristics				
									Continuous		Transient				Varistor Voltage @1 mA DC		Max Clamping Voltage (@Test Current)		Typical Cap. 1 V rms @1kHz
											Applied Voltage	Energy		Peak Current 8 x 20 μ sec # Pulses					
									(AC)	(DC)		10 x 1000 μ sec	8 x 20 μ sec	1	2	Vmin	Vmax	(8 x 20 μ sec)	
											(J)	(J)	(A)	(A)	(V)			(A)	(pF)
14FE241K	X					14	MDC-FV-14E241K	150	200	85	85	6000	4500	216	264	395	50	830	
14FM241K	X					14	MDC-FV-14M241K	150	200	85	85	6000	4500	216	264	395	50	830	
14FN241K	X					14	MDC-FV-14N241K	150	200	85	85	6000	4500	216	264	395	50	830	
20FE241K	X					20	MDC-FV-20E241K	150	200	170	170	10000	6000	216	264	395	100	1650	
20FM241K	X					20	MDC-FV-20M241K	150	200	170	170	10000	6000	216	264	395	100	1650	
20FN241K	X					20	MDC-FV-20N241K	150	200	170	170	10000	6000	216	264	395	100	1650	
25FE241K	X					25	MDC-FV-25E241K	150	200	255	255	15000	12000	216	264	395	150	2650	
25FM241K	X					25	MDC-FV-25M241K	150	200	255	255	15000	12000	216	264	395	150	2650	
25FN241K	X					25	MDC-FV-25N241K	150	200	255	255	15000	12000	216	264	395	150	2650	
14FE271K	X					14	MDC-FV-14E271K	175	225	100	100	6000	4500	243	297	455	50	740	
14FM271K	X					14	MDC-FV-14M271K	175	225	100	100	6000	4500	243	297	455	50	740	
14FN271K	X					14	MDC-FV-14N271K	175	225	100	100	6000	4500	243	297	455	50	740	
20FE271K	X					20	MDC-FV-20E271K	175	225	190	190	10000	6000	243	297	455	100	1500	
20FM271K	X					20	MDC-FV-20M271K	175	225	190	190	10000	6000	243	297	455	100	1500	
20FN271K	X					20	MDC-FV-20N271K	175	225	190	190	10000	6000	243	297	455	100	1500	
25FE271K	X					25	MDC-FV-25E271K	175	225	285	285	15000	12000	243	297	455	150	2400	
25FM271K	X					25	MDC-FV-25M271K	175	225	285	285	15000	12000	243	297	455	150	2400	
25FN271K	X					25	MDC-FV-25N271K	175	225	285	285	15000	12000	243	297	455	150	2400	
14FE301K	X					14	MDC-FV-14E301K	190	250	107	107	6000	4500	270	330	500	50	670	
14FM301K	X					14	MDC-FV-14M301K	190	250	107	107	6000	4500	270	330	500	50	670	
14FN301K	X					14	MDC-FV-14N301K	190	250	107	107	6000	4500	270	330	500	50	670	
20FE301K	X					20	MDC-FV-20E301K	190	250	205	205	10000	6000	270	330	500	100	1300	
20FM301K	X					20	MDC-FV-20M301K	190	250	205	205	10000	6000	270	330	500	100	1300	
20FN301K	X					20	MDC-FV-20N301K	190	250	205	205	10000	6000	270	330	500	100	1300	
25FE301K	X					25	MDC-FV-25E301K	190	250	310	310	15000	12000	270	330	500	150	2100	
25FM301K	X					25	MDC-FV-25M301K	190	250	310	310	15000	12000	270	330	500	150	2100	
25FN301K	X					25	MDC-FV-25N301K	190	250	310	310	15000	12000	270	330	500	150	2100	
14FE331K	X					14	MDC-FV-14E331K	210	275	115	115	6000	4500	297	363	550	50	610	
14FM331K	X					14	MDC-FV-14M331K	210	275	115	115	6000	4500	297	363	550	50	610	
14FN331K	X					14	MDC-FV-14N331K	210	275	115	115	6000	4500	297	363	550	50	610	
20FE331K	X					20	MDC-FV-20E331K	210	275	215	215	10000	6000	297	363	550	100	1200	
20FM331K	X					20	MDC-FV-20M331K	210	275	215	215	10000	6000	297	363	550	100	1200	
20FN331K	X					20	MDC-FV-20N331K	210	275	215	215	10000	6000	297	363	550	100	1200	
25FE331K	X					25	MDC-FV-25E331K	210	275	325	325	15000	12000	297	363	550	150	1900	
25FM331K	X					25	MDC-FV-25M331K	210	275	325	325	15000	12000	297	363	550	150	1900	
25FN331K	X					25	MDC-FV-25N331K	210	275	325	325	15000	12000	297	363	550	150	1900	
14FE361K	X					14	MDC-FV-14E361K	230	300	125	125	6000	4500	324	396	595	50	560	
14FM361K	X					14	MDC-FV-14M361K	230	300	125	125	6000	4500	324	396	595	50	560	
14FN361K	X					14	MDC-FV-14N361K	230	300	125	125	6000	4500	324	396	595	50	560	
20FE361K	X					20	MDC-FV-20E361K	230	300	225	225	10000	6000	324	396	595	100	1100	
20FM361K	X					20	MDC-FV-20M361K	230	300	225	225	10000	6000	324	396	595	100	1100	
20FN361K	X					20	MDC-FV-20N361K	230	300	225	225	10000	6000	324	396	595	100	1100	
25FE361K	X					25	MDC-FV-25E361K	230	300	340	340	15000	12000	324	396	595	150	1750	
25FM361K	X					25	MDC-FV-25M361K	230	300	340	340	15000	12000	324	396	595	150	1750	
25FN361K	X					25	MDC-FV-25N361K	230	300	340	340	15000	12000	324	396	595	150	1750	
14FE391K	X					14	MDC-FV-14E391K	250	320	140	140	6000	4500	351	429	650	50	510	
14FM391K	X					14	MDC-FV-14M391K	250	320	140	140	6000	4500	351	429	650	50	510	
14FN391K	X					14	MDC-FV-14N391K	250	320	140	140	6000	4500	351	429	650	50	510	
20FE391K	X					20	MDC-FV-20E391K	250	320	240	240	10000	6000	351	429	650	100	1000	
20FM391K	X					20	MDC-FV-20M391K	250	320	240	240	10000	6000	351	429	650	100	1000	
20FN391K	X					20	MDC-FV-20N391K	250	320	240	240	10000	6000	351	429	650	100	1000	
25FE391K	X					25	MDC-FV-25E391K	250	320	360	360	15000	12000	351	429	650	150	1600	
25FM391K	X					25	MDC-FV-25M391K	250	320	360	360	15000	12000	351	429	650	150	1600	
25FN391K	X					25	MDC-FV-25N391K	250	320	360	360	15000	12000	351	429	650	150	1600	

NOTES:

Appendix A lists the single-pulse peak current and energy ratings on file with the Safety Agencies.
 Maximum transient rating specified in this table are valid. They may differ from those shown in Appendix A.
 A = UL1449 D = VDE
 B = cUL E =
 C = CSA F =

150VAC thru 250VAC VARISTORS

Maida Style Number	MAX. Diameter (D) (in)	MAX. Thickness (T) (in)	MAX. Height (H) (in)	Typical X Dimension (in)	Typical X Tolerance (in)	Typical Y Dimension (in)	Typical Y Tolerance (in)	Typical Z Dimension (in)	Typical Z Tolerance (in)	Typical Wire Diameter (d) (in)
14FE241K	0.748	0.386	0.827	0.295	0.039	0.150	0.030	0.295	0.039	0.032
14FM241K	0.748	0.386	0.827	0.295	0.039	0.150	0.030	0.295	0.039	0.032
14FN241K	0.748	0.386	0.827	0.295	0.039	0.150	0.030	0.295	0.039	0.032
20FE241K	0.945	0.386	1.024	0.295	0.039	0.150	0.030	0.295	0.039	0.040
20FM241K	0.945	0.386	1.024	0.295	0.039	0.150	0.030	0.295	0.039	0.040
20FN241K	0.945	0.386	1.024	0.295	0.039	0.150	0.030	0.295	0.039	0.040
25FE241K	1.142	0.465	1.260	0.492	0.039	0.150	0.030	0.492	0.039	0.040
25FM241K	1.142	0.465	1.260	0.492	0.039	0.150	0.030	0.492	0.039	0.040
25FN241K	1.142	0.465	1.260	0.492	0.039	0.150	0.030	0.492	0.039	0.040
14FE271K	0.748	0.386	0.827	0.295	0.039	0.150	0.030	0.295	0.039	0.032
14FM271K	0.748	0.386	0.827	0.295	0.039	0.150	0.030	0.295	0.039	0.032
14FN271K	0.748	0.386	0.827	0.295	0.039	0.150	0.030	0.295	0.039	0.032
20FE271K	0.945	0.386	1.024	0.295	0.039	0.150	0.030	0.295	0.039	0.040
20FM271K	0.945	0.386	1.024	0.295	0.039	0.150	0.030	0.295	0.039	0.040
20FN271K	0.945	0.386	1.024	0.295	0.039	0.150	0.030	0.295	0.039	0.040
25FE271K	1.142	0.465	1.260	0.492	0.039	0.150	0.030	0.492	0.039	0.040
25FM271K	1.142	0.465	1.260	0.492	0.039	0.150	0.030	0.492	0.039	0.040
25FN271K	1.142	0.465	1.260	0.492	0.039	0.150	0.030	0.492	0.039	0.040
14FE301K	0.748	0.386	0.827	0.295	0.039	0.150	0.030	0.295	0.039	0.032
14FM301K	0.748	0.386	0.827	0.295	0.039	0.150	0.030	0.295	0.039	0.032
14FN301K	0.748	0.386	0.827	0.295	0.039	0.150	0.030	0.295	0.039	0.032
20FE301K	0.945	0.386	1.024	0.295	0.039	0.150	0.030	0.295	0.039	0.040
20FM301K	0.945	0.386	1.024	0.295	0.039	0.150	0.030	0.295	0.039	0.040
20FN301K	0.945	0.386	1.024	0.295	0.039	0.150	0.030	0.295	0.039	0.040
25FE301K	1.142	0.465	1.260	0.492	0.039	0.150	0.030	0.492	0.039	0.040
25FM301K	1.142	0.465	1.260	0.492	0.039	0.150	0.030	0.492	0.039	0.040
25FN301K	1.142	0.465	1.260	0.492	0.039	0.150	0.030	0.492	0.039	0.040
14FE331K	0.748	0.386	0.827	0.295	0.039	0.150	0.030	0.295	0.039	0.032
14FM331K	0.748	0.386	0.827	0.295	0.039	0.150	0.030	0.295	0.039	0.032
14FN331K	0.748	0.386	0.827	0.295	0.039	0.150	0.030	0.295	0.039	0.032
20FE331K	0.945	0.386	1.024	0.295	0.039	0.150	0.030	0.295	0.039	0.040
20FM331K	0.945	0.386	1.024	0.295	0.039	0.150	0.030	0.295	0.039	0.040
20FN331K	0.945	0.386	1.024	0.295	0.039	0.150	0.030	0.295	0.039	0.040
25FE331K	1.142	0.465	1.260	0.492	0.039	0.150	0.030	0.492	0.039	0.040
25FM331K	1.142	0.465	1.260	0.492	0.039	0.150	0.030	0.492	0.039	0.040
25FN331K	1.142	0.465	1.260	0.492	0.039	0.150	0.030	0.492	0.039	0.040
14FE361K	0.748	0.386	0.827	0.295	0.039	0.150	0.030	0.295	0.039	0.032
14FM361K	0.748	0.386	0.827	0.295	0.039	0.150	0.030	0.295	0.039	0.032
14FN361K	0.748	0.386	0.827	0.295	0.039	0.150	0.030	0.295	0.039	0.032
20FE361K	0.945	0.386	1.024	0.295	0.039	0.150	0.030	0.295	0.039	0.040
20FM361K	0.945	0.386	1.024	0.295	0.039	0.150	0.030	0.295	0.039	0.040
20FN361K	0.945	0.386	1.024	0.295	0.039	0.150	0.030	0.295	0.039	0.040
25FE361K	1.142	0.465	1.260	0.492	0.039	0.150	0.030	0.492	0.039	0.040
25FM361K	1.142	0.465	1.260	0.492	0.039	0.150	0.030	0.492	0.039	0.040
25FN361K	1.142	0.465	1.260	0.492	0.039	0.150	0.030	0.492	0.039	0.040
14FE391K	0.748	0.386	0.827	0.295	0.039	0.150	0.030	0.295	0.039	0.032
14FM391K	0.748	0.386	0.827	0.295	0.039	0.150	0.030	0.295	0.039	0.032
14FN391K	0.748	0.386	0.827	0.295	0.039	0.150	0.030	0.295	0.039	0.032
20FE391K	0.945	0.386	1.024	0.295	0.039	0.150	0.030	0.295	0.039	0.040
20FM391K	0.945	0.386	1.024	0.295	0.039	0.150	0.030	0.295	0.039	0.040
20FN391K	0.945	0.386	1.024	0.295	0.039	0.150	0.030	0.295	0.039	0.040
25FE391K	1.142	0.465	1.260	0.492	0.039	0.150	0.030	0.492	0.039	0.040
25FM391K	1.142	0.465	1.260	0.492	0.039	0.150	0.030	0.492	0.039	0.040
25FN391K	1.142	0.465	1.260	0.492	0.039	0.150	0.030	0.492	0.039	0.040

NOTE: Alternate dimensional specifications, including lead styles, for any part listed may be available upon request. Please contact us for any inquiries.

THERMALLY PROTECTED SERIES

SPECIFICATIONS

275VAC thru 420VAC VARISTORS

Maida Style Number	Recognitions To Safety Agency Standards						Nominal Size (mm)	Minimum Marking	Maximum Ratings						Electrical Characteristics				
									Continuous		Transient				Varistor Voltage @1 mA DC		Max Clamping Voltage (@Test Current)		Typical Cap. 1 V rms @1kHz
									Applied Voltage		Energy		Peak Current						
											(AC)	(DC)	10 x 1000 μ sec	8 x 20 μ sec	# Pulses				
									(V)	(V)			(J)	(J)	1	2	Vmin	Vmax	(V)
14FE431K	X						14	MDC-FV-14E431K	275	350	155	155	6000	4500	387	473	710	50	460
14FM431K	X						14	MDC-FV-14M431K	275	350	155	155	6000	4500	387	473	710	50	460
14FN431K	X						14	MDC-FV-14N431K	275	350	155	155	6000	4500	387	473	710	50	460
20FE431K	X						20	MDC-FV-20E431K	275	350	270	270	10000	6000	387	473	710	100	930
20FM431K	X						20	MDC-FV-20M431K	275	350	270	270	10000	6000	387	473	710	100	930
20FN431K	X						20	MDC-FV-20N431K	275	350	270	270	10000	6000	387	473	710	100	930
25FE431K	X						25	MDC-FV-25E431K	275	350	440	440	15000	12000	387	473	710	150	1500
25FM431K	X						25	MDC-FV-25M431K	275	350	440	440	15000	12000	387	473	710	150	1500
25FN431K	X						25	MDC-FV-25N431K	275	350	440	440	15000	12000	387	473	710	150	1500
14FE471K	X						14	MDC-FV-14E471K	300	385	175	175	6000	4500	423	517	775	50	430
14FM471K	X						14	MDC-FV-14M471K	300	385	175	175	6000	4500	423	517	775	50	430
14FN471K	X						14	MDC-FV-14N471K	300	385	175	175	6000	4500	423	517	775	50	430
20FE471K	X						20	MDC-FV-20E471K	300	385	350	350	10000	6000	423	517	775	100	850
20FM471K	X						20	MDC-FV-20M471K	300	385	350	350	10000	6000	423	517	775	100	850
20FN471K	X						20	MDC-FV-20N471K	300	385	350	350	10000	6000	423	517	775	100	850
25FE471K	X						25	MDC-FV-25E471K	300	385	490	490	15000	12000	423	517	775	150	1400
25FM471K	X						25	MDC-FV-25M471K	300	385	490	490	15000	12000	423	517	775	150	1400
25FN471K	X						25	MDC-FV-25N471K	300	385	490	490	15000	12000	423	517	775	150	1400
14FE511K	X						14	MDC-FV-14E511K	320	415	190	190	6000	4500	459	561	845	50	390
14FM511K	X						14	MDC-FV-14M511K	320	415	190	190	6000	4500	459	561	845	50	390
14FN511K	X						14	MDC-FV-14N511K	320	415	190	190	6000	4500	459	561	845	50	390
20FE511K	X						20	MDC-FV-20E511K	320	415	380	380	10000	6000	459	561	845	100	780
20FM511K	X						20	MDC-FV-20M511K	320	415	380	380	10000	6000	459	561	845	100	780
20FN511K	X						20	MDC-FV-20N511K	320	415	380	380	10000	6000	459	561	845	100	780
25FE511K	X						25	MDC-FV-25E511K	320	415	530	530	15000	12000	459	561	845	150	1250
25FM511K	X						25	MDC-FV-25M511K	320	415	530	530	15000	12000	459	561	845	150	1250
25FN511K	X						25	MDC-FV-25N511K	320	415	530	530	15000	12000	459	561	845	150	1250
14FE561K	X						14	MDC-FV-14E561K	350	460	200	200	6000	4500	504	616	925	50	360
14FM561K	X						14	MDC-FV-14M561K	350	460	200	200	6000	4500	504	616	925	50	360
14FN561K	X						14	MDC-FV-14N561K	350	460	200	200	6000	4500	504	616	925	50	360
20FE561K	X						20	MDC-FV-20E561K	350	460	400	400	10000	6000	504	616	925	100	710
20FM561K	X						20	MDC-FV-20M561K	350	460	400	400	10000	6000	504	616	925	100	710
20FN561K	X						20	MDC-FV-20N561K	350	460	400	400	10000	6000	504	616	925	100	710
25FE561K	X						25	MDC-FV-25E561K	350	460	560	560	15000	12000	504	616	925	150	1150
25FM561K	X						25	MDC-FV-25M561K	350	460	560	560	15000	12000	504	616	925	150	1150
25FN561K	X						25	MDC-FV-25N561K	350	460	560	560	15000	12000	504	616	925	150	1150
14FE621K	X						14	MDC-FV-14E621K	385	505	210	210	6000	4500	558	682	1025	50	320
14FM621K	X						14	MDC-FV-14M621K	385	505	210	210	6000	4500	558	682	1025	50	320
14FN621K	X						14	MDC-FV-14N621K	385	505	210	210	6000	4500	558	682	1025	50	320
20FE621K	X						20	MDC-FV-20E621K	385	505	425	425	10000	6000	558	682	1025	100	650
20FM621K	X						20	MDC-FV-20M621K	385	505	425	425	10000	6000	558	682	1025	100	650
20FN621K	X						20	MDC-FV-20N621K	385	505	425	425	10000	6000	558	682	1025	100	650
25FE621K	X						25	MDC-FV-25E621K	385	505	590	590	15000	12000	558	682	1025	150	1050
25FM621K	X						25	MDC-FV-25M621K	385	505	590	590	15000	12000	558	682	1025	150	1050
25FN621K	X						25	MDC-FV-25N621K	385	505	590	590	15000	12000	558	682	1025	150	1050
14FE681K	X						14	MDC-FV-14E681K	420	560	220	220	6000	4500	612	748	1120	50	290
14FM681K	X						14	MDC-FV-14M681K	420	560	220	220	6000	4500	612	748	1120	50	290
14FN681K	X						14	MDC-FV-14N681K	420	560	220	220	6000	4500	612	748	1120	50	290
20FE681K	X						20	MDC-FV-20E681K	420	560	455	455	10000	6000	612	748	1120	100	600
20FM681K	X						20	MDC-FV-20M681K	420	560	455	455	10000	6000	612	748	1120	100	600
20FN681K	X						20	MDC-FV-20N681K	420	560	455	455	10000	6000	612	748	1120	100	600
25FE681K	X						25	MDC-FV-25E681K	420	560	620	620	15000	12000	612	748	1120	150	950
25FM681K	X						25	MDC-FV-25M681K	420	560	620	620	15000	12000	612	748	1120	150	950
25FN681K	X						25	MDC-FV-25N681K	420	560	620	620	15000	12000	612	748	1120	150	950

NOTES:

Appendix A lists the single-pulse peak current and energy ratings on file with the Safety Agencies.
 Maximum transient rating specified in this table are valid. They may differ from those shown in Appendix A.
 A = UL1449 D = VDE
 B = cUL E =
 C = CSA F =

275VAC thru 420VAC VARISTORS

Maida Style Number	MAX. Diameter (D) (in)	MAX. Thickness (T) (in)	MAX. Height (H) (in)	Typical X Dimension (in)	Typical X Tolerance (in)	Typical Y Dimension (in)	Typical Y Tolerance (in)	Typical Z Dimension (in)	Typical Z Tolerance (in)	Typical Wire Diameter (d) (in)
14FE431K	0.748	0.453	0.827	0.295	0.039	0.217	0.030	0.295	0.039	0.032
14FM431K	0.748	0.453	0.827	0.295	0.039	0.217	0.030	0.295	0.039	0.032
14FN431K	0.748	0.453	0.827	0.295	0.039	0.217	0.030	0.295	0.039	0.032
20FE431K	0.945	0.453	1.024	0.295	0.039	0.217	0.030	0.295	0.039	0.040
20FM431K	0.945	0.453	1.024	0.295	0.039	0.217	0.030	0.295	0.039	0.040
20FN431K	0.945	0.453	1.024	0.295	0.039	0.217	0.030	0.295	0.039	0.040
25FE431K	1.142	0.531	1.260	0.492	0.039	0.150	0.030	0.492	0.039	0.040
25FM431K	1.142	0.531	1.260	0.492	0.039	0.150	0.030	0.492	0.039	0.040
25FN431K	1.142	0.531	1.260	0.492	0.039	0.150	0.030	0.492	0.039	0.040
14FE471K	0.748	0.453	0.827	0.295	0.039	0.217	0.030	0.295	0.039	0.032
14FM471K	0.748	0.453	0.827	0.295	0.039	0.217	0.030	0.295	0.039	0.032
14FN471K	0.748	0.453	0.827	0.295	0.039	0.217	0.030	0.295	0.039	0.032
20FE471K	0.945	0.453	1.024	0.295	0.039	0.217	0.030	0.295	0.039	0.040
20FM471K	0.945	0.453	1.024	0.295	0.039	0.217	0.030	0.295	0.039	0.040
20FN471K	0.945	0.453	1.024	0.295	0.039	0.217	0.030	0.295	0.039	0.040
25FE471K	1.142	0.531	1.260	0.492	0.039	0.217	0.030	0.492	0.039	0.040
25FM471K	1.142	0.531	1.260	0.492	0.039	0.217	0.030	0.492	0.039	0.040
25FN471K	1.142	0.531	1.260	0.492	0.039	0.217	0.030	0.492	0.039	0.040
14FE511K	0.748	0.453	0.827	0.295	0.039	0.217	0.030	0.295	0.039	0.032
14FM511K	0.748	0.453	0.827	0.295	0.039	0.217	0.030	0.295	0.039	0.032
14FN511K	0.748	0.453	0.827	0.295	0.039	0.217	0.030	0.295	0.039	0.032
20FE511K	0.945	0.453	1.024	0.295	0.039	0.217	0.030	0.295	0.039	0.040
20FM511K	0.945	0.453	1.024	0.295	0.039	0.217	0.030	0.295	0.039	0.040
20FN511K	0.945	0.453	1.024	0.295	0.039	0.217	0.030	0.295	0.039	0.040
25FE511K	1.142	0.531	1.260	0.492	0.039	0.217	0.030	0.492	0.039	0.040
25FM511K	1.142	0.531	1.260	0.492	0.039	0.217	0.030	0.492	0.039	0.040
25FN511K	1.142	0.531	1.260	0.492	0.039	0.217	0.030	0.492	0.039	0.040
14FE561K	0.748	0.453	0.827	0.295	0.039	0.217	0.030	0.295	0.039	0.032
14FM561K	0.748	0.453	0.827	0.295	0.039	0.217	0.030	0.295	0.039	0.032
14FN561K	0.748	0.453	0.827	0.295	0.039	0.217	0.030	0.295	0.039	0.032
20FE561K	0.945	0.453	1.024	0.295	0.039	0.217	0.030	0.295	0.039	0.040
20FM561K	0.945	0.453	1.024	0.295	0.039	0.217	0.030	0.295	0.039	0.040
20FN561K	0.945	0.453	1.024	0.295	0.039	0.217	0.030	0.295	0.039	0.040
25FE561K	1.142	0.531	1.260	0.492	0.039	0.217	0.030	0.492	0.039	0.040
25FM561K	1.142	0.531	1.260	0.492	0.039	0.217	0.030	0.492	0.039	0.040
25FN561K	1.142	0.531	1.260	0.492	0.039	0.217	0.030	0.492	0.039	0.040
14FE621K	0.748	0.453	0.827	0.295	0.039	0.217	0.030	0.295	0.039	0.032
14FM621K	0.748	0.453	0.827	0.295	0.039	0.217	0.030	0.295	0.039	0.032
14FN621K	0.748	0.453	0.827	0.295	0.039	0.217	0.030	0.295	0.039	0.032
20FE621K	0.945	0.453	1.024	0.295	0.039	0.217	0.030	0.295	0.039	0.040
20FM621K	0.945	0.453	1.024	0.295	0.039	0.217	0.030	0.295	0.039	0.040
20FN621K	0.945	0.453	1.024	0.295	0.039	0.217	0.030	0.295	0.039	0.040
25FE621K	1.142	0.531	1.260	0.492	0.039	0.217	0.030	0.492	0.039	0.040
25FM621K	1.142	0.531	1.260	0.492	0.039	0.217	0.030	0.492	0.039	0.040
25FN621K	1.142	0.531	1.260	0.492	0.039	0.217	0.030	0.492	0.039	0.040
14FE681K	0.748	0.543	0.827	0.295	0.039	0.307	0.030	0.295	0.039	0.032
14FM681K	0.748	0.543	0.827	0.295	0.039	0.307	0.030	0.295	0.039	0.032
14FN681K	0.748	0.543	0.827	0.295	0.039	0.307	0.030	0.295	0.039	0.032
20FE681K	0.945	0.543	1.024	0.295	0.039	0.307	0.030	0.295	0.039	0.040
20FM681K	0.945	0.543	1.024	0.295	0.039	0.307	0.030	0.295	0.039	0.040
20FN681K	0.945	0.543	1.024	0.295	0.039	0.307	0.030	0.295	0.039	0.040
25FE681K	1.142	0.622	1.260	0.492	0.039	0.307	0.030	0.492	0.039	0.040
25FM681K	1.142	0.622	1.260	0.492	0.039	0.307	0.030	0.492	0.039	0.040
25FN681K	1.142	0.622	1.260	0.492	0.039	0.307	0.030	0.492	0.039	0.040

NOTE: Alternate dimensional specifications, including lead styles, for any part listed may be available upon request. Please contact us for any inquiries.

THERMALLY PROTECTED SERIES

SPECIFICATIONS

460VAC thru 680VAC VARISTORS

Maida Style Number	Recognitions To Safety Agency Standards						Nominal Size (mm)	Minimum Marking	Maximum Ratings						Electrical Characteristics				
									Continuous		Transient				Varistor Voltage @1 mA DC		Max Clamping Voltage (@Test Current)		Typical Cap. 1 V rms @1kHz
											Applied Voltage	Energy		Peak Current 8 x 20 μ sec # Pulses					
									(AC)	(DC)		10 x 1000 μ sec	8 x 20 μ sec	1	2	Vmin	Vmax	(8 x 20 μ sec)	
											(V)	(V)	(J)	(J)	(A)	(A)	(V)	(V)	(V)
14FE751K						14	MDC-FV-14E751K	460	615	225	225	6000	4500	675	825	1240	50	270	
14FM751K						14	MDC-FV-14M751K	460	615	225	225	6000	4500	675	825	1240	50	270	
14FN751K						14	MDC-FV-14N751K	460	615	225	225	6000	4500	675	825	1240	50	270	
20FE751K						20	MDC-FV-20E751K	460	615	455	455	10000	6000	675	825	1240	100	530	
20FM751K						20	MDC-FV-20M751K	460	615	455	455	10000	6000	675	825	1240	100	530	
20FN751K						20	MDC-FV-20N751K	460	615	455	455	10000	6000	675	825	1240	100	530	
25FE751K						25	MDC-FV-25E751K	460	615	630	630	15000	12000	675	825	1240	150	850	
25FM751K						25	MDC-FV-25M751K	460	615	630	630	15000	12000	675	825	1240	150	850	
25FN751K						25	MDC-FV-25N751K	460	615	630	630	15000	12000	675	825	1240	150	850	
14FE781K						14	MDC-FV-14E781K	485	640	240	240	6000	4500	702	858	1290	50	260	
14FM781K						14	MDC-FV-14M781K	485	640	240	240	6000	4500	702	858	1290	50	260	
14FN781K						14	MDC-FV-14N781K	485	640	240	240	6000	4500	702	858	1290	50	260	
20FE781K						20	MDC-FV-20E781K	485	640	455	455	10000	6000	702	858	1290	100	510	
20FM781K						20	MDC-FV-20M781K	485	640	455	455	10000	6000	702	858	1290	100	510	
20FN781K						20	MDC-FV-20N781K	485	640	455	455	10000	6000	702	858	1290	100	510	
25FE781K						25	MDC-FV-25E781K	485	640	675	675	15000	12000	702	858	1290	150	800	
25FM781K						25	MDC-FV-25M781K	485	640	675	675	15000	12000	702	858	1290	150	800	
25FN781K						25	MDC-FV-25N781K	485	640	675	675	15000	12000	702	858	1290	150	800	
14FE821K						14	MDC-FV-14E821K	510	670	245	245	6000	4500	738	902	1355	50	240	
14FM821K						14	MDC-FV-14M821K	510	670	245	245	6000	4500	738	902	1355	50	240	
14FN821K						14	MDC-FV-14N821K	510	670	245	245	6000	4500	738	902	1355	50	240	
20FE821K						20	MDC-FV-20E821K	510	670	475	475	10000	6000	738	902	1355	100	500	
20FM821K						20	MDC-FV-20M821K	510	670	475	475	10000	6000	738	902	1355	100	500	
20FN821K						20	MDC-FV-20N821K	510	670	475	475	10000	6000	738	902	1355	100	500	
25FE821K						25	MDC-FV-25E821K	510	670	690	690	15000	12000	738	902	1355	150	750	
25FM821K						25	MDC-FV-25M821K	510	670	690	690	15000	12000	738	902	1355	150	750	
25FN821K						25	MDC-FV-25N821K	510	670	690	690	15000	12000	738	902	1355	150	750	
14FE911K						14	MDC-FV-14E911K	550	745	255	255	6000	4500	819	1001	1500	50	220	
14FM911K						14	MDC-FV-14M911K	550	745	255	255	6000	4500	819	1001	1500	50	220	
14FN911K						14	MDC-FV-14N911K	550	745	255	255	6000	4500	819	1001	1500	50	220	
20FE911K						20	MDC-FV-20E911K	550	745	500	500	10000	6000	819	1001	1500	100	440	
20FM911K						20	MDC-FV-20M911K	550	745	500	500	10000	6000	819	1001	1500	100	440	
20FN911K						20	MDC-FV-20N911K	550	745	500	500	10000	6000	819	1001	1500	100	440	
25FE911K						25	MDC-FV-25E911K	550	745	715	715	15000	12000	819	1001	1500	150	700	
25FM911K						25	MDC-FV-25M911K	550	745	715	715	15000	12000	819	1001	1500	150	700	
25FN911K						25	MDC-FV-25N911K	550	745	715	715	15000	12000	819	1001	1500	150	700	
14FE102K						14	MDC-FV-14E102K	625	825	280	280	6000	4500	900	1100	1650	50	200	
14FM102K						14	MDC-FV-14M102K	625	825	280	280	6000	4500	900	1100	1650	50	200	
14FN102K						14	MDC-FV-14N102K	625	825	280	280	6000	4500	900	1100	1650	50	200	
20FE102K						20	MDC-FV-20E102K	625	825	560	560	10000	6000	900	1100	1650	100	400	
20FM102K						20	MDC-FV-20M102K	625	825	560	560	10000	6000	900	1100	1650	100	400	
20FN102K						20	MDC-FV-20N102K	625	825	560	560	10000	6000	900	1100	1650	100	400	
25FE102K						25	MDC-FV-25E102K	625	825	750	750	15000	12000	900	1100	1650	150	650	
25FM102K						25	MDC-FV-25M102K	625	825	750	750	15000	12000	900	1100	1650	150	650	
25FN102K						25	MDC-FV-25N102K	625	825	750	750	15000	12000	900	1100	1650	150	650	
14FE112K						14	MDC-FV-14E112K	680	895	310	310	6000	4500	990	1210	1815	50	180	
14FM112K						14	MDC-FV-14M112K	680	895	310	310	6000	4500	990	1210	1815	50	180	
14FN112K						14	MDC-FV-14N112K	680	895	310	310	6000	4500	990	1210	1815	50	180	
20FE112K						20	MDC-FV-20E112K	680	895	610	610	10000	6000	990	1210	1815	100	360	
20FM112K						20	MDC-FV-20M112K	680	895	610	610	10000	6000	990	1210	1815	100	360	
20FN112K						20	MDC-FV-20N112K	680	895	610	610	10000	6000	990	1210	1815	100	360	
25FE112K						25	MDC-FV-25E112K	680	895	780	780	15000	12000	990	1210	1815	150	600	
25FM112K						25	MDC-FV-25M112K	680	895	780	780	15000	12000	990	1210	1815	150	600	
25FN112K						25	MDC-FV-25N112K	680	895	780	780	15000	12000	990	1210	1815	150	600	

NOTES:

Appendix A lists the single-pulse peak current and energy ratings on file with the Safety Agencies.
 Maximum transient rating specified in this table are valid. They may differ from those shown in Appendix A.
 A = UL1449 D = VDE
 B = cUL E =
 C = CSA F =

460VAC thru 680VAC VARISTORS

Maida Style Number	MAX. Diameter (D)	MAX. Thickness (T)	MAX. Height (H)	Typical X Dimension	Typical X Tolerance	Typical Y Dimension	Typical Y Tolerance	Typical Z Dimension	Typical Z Tolerance	Typical Wire Diameter (d)
	(in)	(in)	(in)	(in)	(in)	(in)	(in)	(in)	(in)	(in)
14FE751K	0.748	0.543	0.827	0.295	0.039	0.307	0.030	0.295	0.039	0.032
14FM751K	0.748	0.543	0.827	0.295	0.039	0.307	0.030	0.295	0.039	0.032
14FN751K	0.748	0.543	0.827	0.295	0.039	0.307	0.030	0.295	0.039	0.032
20FE751K	0.945	0.543	1.024	0.295	0.039	0.307	0.030	0.295	0.039	0.040
20FM751K	0.945	0.543	1.024	0.295	0.039	0.307	0.030	0.295	0.039	0.040
20FN751K	0.945	0.543	1.024	0.295	0.039	0.307	0.030	0.295	0.039	0.040
25FE751K	1.142	0.622	1.260	0.492	0.039	0.307	0.030	0.492	0.039	0.040
25FM751K	1.142	0.622	1.260	0.492	0.039	0.307	0.030	0.492	0.039	0.040
25FN751K	1.142	0.622	1.260	0.492	0.039	0.307	0.030	0.492	0.039	0.040
14FE781K	0.748	0.543	0.827	0.295	0.039	0.307	0.030	0.295	0.039	0.032
14FM781K	0.748	0.543	0.827	0.295	0.039	0.307	0.030	0.295	0.039	0.032
14FN781K	0.748	0.543	0.827	0.295	0.039	0.307	0.030	0.295	0.039	0.032
20FE781K	0.945	0.543	1.024	0.295	0.039	0.307	0.030	0.295	0.039	0.040
20FM781K	0.945	0.543	1.024	0.295	0.039	0.307	0.030	0.295	0.039	0.040
20FN781K	0.945	0.543	1.024	0.295	0.039	0.307	0.030	0.295	0.039	0.040
25FE781K	1.142	0.622	1.260	0.492	0.039	0.307	0.030	0.492	0.039	0.040
25FM781K	1.142	0.622	1.260	0.492	0.039	0.307	0.030	0.492	0.039	0.040
25FN781K	1.142	0.622	1.260	0.492	0.039	0.307	0.030	0.492	0.039	0.040
14FE821K	0.748	0.543	0.827	0.295	0.039	0.307	0.030	0.295	0.039	0.032
14FM821K	0.748	0.543	0.827	0.295	0.039	0.307	0.030	0.295	0.039	0.032
14FN821K	0.748	0.543	0.827	0.295	0.039	0.307	0.030	0.295	0.039	0.032
20FE821K	0.945	0.543	1.024	0.295	0.039	0.307	0.030	0.295	0.039	0.040
20FM821K	0.945	0.543	1.024	0.295	0.039	0.307	0.030	0.295	0.039	0.040
20FN821K	0.945	0.543	1.024	0.295	0.039	0.307	0.030	0.295	0.039	0.040
25FE821K	1.142	0.622	1.260	0.492	0.039	0.307	0.030	0.492	0.039	0.040
25FM821K	1.142	0.622	1.260	0.492	0.039	0.307	0.030	0.492	0.039	0.040
25FN821K	1.142	0.622	1.260	0.492	0.039	0.307	0.030	0.492	0.039	0.040
14FE911K	0.748	0.543	0.827	0.295	0.039	0.307	0.030	0.295	0.039	0.032
14FM911K	0.748	0.543	0.827	0.295	0.039	0.307	0.030	0.295	0.039	0.032
14FN911K	0.748	0.543	0.827	0.295	0.039	0.307	0.030	0.295	0.039	0.032
20FE911K	0.945	0.543	1.024	0.295	0.039	0.307	0.030	0.295	0.039	0.040
20FM911K	0.945	0.543	1.024	0.295	0.039	0.307	0.030	0.295	0.039	0.040
20FN911K	0.945	0.543	1.024	0.295	0.039	0.307	0.030	0.295	0.039	0.040
25FE911K	1.142	0.622	1.260	0.492	0.039	0.307	0.030	0.492	0.039	0.040
25FM911K	1.142	0.622	1.260	0.492	0.039	0.307	0.030	0.492	0.039	0.040
25FN911K	1.142	0.622	1.260	0.492	0.039	0.307	0.030	0.492	0.039	0.040
14FE102K	0.748	0.630	0.827	0.295	0.039	0.394	0.030	0.295	0.039	0.032
14FM102K	0.748	0.630	0.827	0.295	0.039	0.394	0.030	0.295	0.039	0.032
14FN102K	0.748	0.630	0.827	0.295	0.039	0.394	0.030	0.295	0.039	0.032
20FE102K	0.945	0.630	1.024	0.295	0.039	0.394	0.030	0.295	0.039	0.040
20FM102K	0.945	0.630	1.024	0.295	0.039	0.394	0.030	0.295	0.039	0.040
20FN102K	0.945	0.630	1.024	0.295	0.039	0.394	0.030	0.295	0.039	0.040
25FE102K	1.142	0.709	1.260	0.492	0.039	0.394	0.030	0.492	0.039	0.040
25FM102K	1.142	0.709	1.260	0.492	0.039	0.394	0.030	0.492	0.039	0.040
25FN102K	1.142	0.709	1.260	0.492	0.039	0.394	0.030	0.492	0.039	0.040
14FE112K	0.748	0.630	0.827	0.295	0.039	0.394	0.030	0.295	0.039	0.032
14FM112K	0.748	0.630	0.827	0.295	0.039	0.394	0.030	0.295	0.039	0.032
14FN112K	0.748	0.630	0.827	0.295	0.039	0.394	0.030	0.295	0.039	0.032
20FE112K	0.945	0.630	1.024	0.295	0.039	0.394	0.030	0.295	0.039	0.040
20FM112K	0.945	0.630	1.024	0.295	0.039	0.394	0.030	0.295	0.039	0.040
20FN112K	0.945	0.630	1.024	0.295	0.039	0.394	0.030	0.295	0.039	0.040
25FE112K	1.142	0.709	1.260	0.492	0.039	0.394	0.030	0.492	0.039	0.040
25FM112K	1.142	0.709	1.260	0.492	0.039	0.394	0.030	0.492	0.039	0.040
25FN112K	1.142	0.709	1.260	0.492	0.039	0.394	0.030	0.492	0.039	0.040

NOTE: Alternate dimensional specifications, including lead styles, for any part listed may be available upon request. Please contact us for any inquiries.

THERMALLY PROTECTED SERIES

SPECIFICATIONS

750VAC VARISTORS

Maida Style Number	Recognitions To Safety Agency Standards						Nominal Size	Minimum Marking	Maximum Ratings						Electrical Characteristics				
									Continuous		Transient				Varistor Voltage @1 mA DC		Max Clamping Voltage (@Test Current)		Typical Cap. @1 kHz
									Applied Voltage		Energy		Peak Current						
											10 x 1000 μ sec	8 x 20 μ sec	# Pulses						
									(AC)	(DC)	(J)	(J)	(A)	(A)	Vmin	Vmax	(8 x 20 μ sec)		
14FE122K							14	MDC-FV-14E122K	750	990	310	310	6000	4500	1080	1320	1980	50	150
14FM122K							14	MDC-FV-14M122K	750	990	310	310	6000	4500	1080	1320	1980	50	150
14FN122K							14	MDC-FV-14N122K	750	990	310	310	6000	4500	1080	1320	1980	50	150
20FE122K							20	MDC-FV-20E122K	750	990	650	650	10000	6000	1080	1320	1980	100	320
20FM122K							20	MDC-FV-20M122K	750	990	650	650	10000	6000	1080	1320	1980	100	320
20FN122K							20	MDC-FV-20N122K	750	990	650	650	10000	6000	1080	1320	1980	100	320
25FE122K							25	MDC-FV-25E122K	750	990	840	840	15000	12000	1080	1320	1980	150	550
25FM122K							25	MDC-FV-25M122K	750	990	840	840	15000	12000	1080	1320	1980	150	550
25FN122K							25	MDC-FV-25N122K	750	990	840	840	15000	12000	1080	1320	1980	150	550

NOTES:

Appendix A lists the single-pulse peak current and energy ratings on file with the Safety Agencies.

Maximum transient rating specified in this table are valid. They may differ from those shown in Appendix A.

- A = UL1449
- B = cUL
- C = CSA
- D = VDE
- E =
- F =

750VAC VARISTORS

Maida Style Number	MAX. Diameter (D) (in)	MAX. Thickness (T) (in)	MAX. Height (H) (in)	Typical X Dimension (in)	Typical X Tolerance (in)	Typical Y Dimension (in)	Typical Y Tolerance (in)	Typical Z Dimension (in)	Typical Z Tolerance (in)	Typical Wire Diameter (d) (in)
14FE122K	0.748	0.630	0.827	0.295	0.039	0.394	0.030	0.295	0.039	0.032
14FM122K	0.748	0.630	0.827	0.295	0.039	0.394	0.030	0.295	0.039	0.032
14FN122K	0.748	0.630	0.827	0.295	0.039	0.394	0.030	0.295	0.039	0.032
20FE122K	0.945	0.630	1.024	0.295	0.039	0.394	0.030	0.295	0.039	0.040
20FM122K	0.945	0.630	1.024	0.295	0.039	0.394	0.030	0.295	0.039	0.040
20FN122K	0.945	0.630	1.024	0.295	0.039	0.394	0.030	0.295	0.039	0.040
25FE122K	1.142	0.709	1.260	0.492	0.039	0.394	0.030	0.492	0.039	0.040
25FM122K	1.142	0.709	1.260	0.492	0.039	0.394	0.030	0.492	0.039	0.040
25FN122K	1.142	0.709	1.260	0.492	0.039	0.394	0.030	0.492	0.039	0.040

NOTE: Alternate dimensional specifications, including lead styles, for any part listed may be available upon request. Please contact us for any inquiries.