

Y E S C

YAZAKI ENGINEERING STANDARD

CONNECTORS

GO



Vehicle power and data solutions

**YAZAKI**  
All Systems Go.™

# THE **YAZAKI** CONNECTION

*Yazaki's YESC Series has evolved from decades of intensive design refinement. As the world's largest supplier of vehicle power and data networks and associated components, Yazaki is uniquely qualified to deliver leading-edge connector solutions. The company continues to provide these innovative systems to automotive customers around the world, for vehicles of virtually every description.*

***The YESC Series represents an important connector resource, delivering enhanced network performance in a broad range of applications. Standards, hybrids, custom designs; sealed or unsealed – Yazaki has the connector system to meet your requirements.***

YAZAKI ENGINEERING STANDARD CONNECTORS

## CONTENTS

	PAGE	
0.64 x 0.64 UNSEALED	1 - 6	0.64 SERIES
0.64 x 0.64 SEALED	7 - 12	
1.5 x 0.8 UNSEALED	13 - 20	1.5 SERIES
1.5 x 0.8 SEALED	21 - 28	
2.8 x 0.8 UNSEALED	29 - 36	2.8 SERIES
2.8 x 0.8 SEALED	37 - 42	
6.3 x 0.8 UNSEALED	43 - 46	6.3 SERIES
6.3 x 0.8 SEALED	47 - 52	
HYBRID	53 - 58	HYBRID SERIES
HEADER	59 - 64	HEADER SERIES
SPECIALTY UNSEALED	65-70	SPECIALTY SERIES
SPECIALTY SEALED	71-78	
TERMINAL REMOVAL	79-82	TERMINAL REMOVAL
INDEX	83-87	INDEX

# YAZAKI

Yazaki is a premier provider of innovative, robust power and data networks that are flexible, easily configurable and cost competitive. Our global reach, along with our collaborative approach and in-depth vehicle-launch support, give Yazaki customers an unprecedented resource for their power and data system needs.



Our benchmark product quality – in connector systems, wire harnesses, electronics, and IP displays – delivers exceptional value and marketplace strength to our customers.



# AKI

## ALL SYSTEMS GO!™

Yazaki products, manufactured in plants on six continents, help power one out of every three passenger vehicles on the road, worldwide. That translates into more than 18 million connectors and 110 million terminals every day. Our leadership position reflects a commitment to excellence that has made Yazaki the industry's most innovative provider of power and data system components.

From our three design centers in North America, Japan and Europe, Yazaki advances the evolution of these critical automotive components, providing connectivity solutions that contribute to greater customer satisfaction. Our design centers apply specialized engineering expertise to the specific needs of vehicle manufacturers and their tier-supply partners.

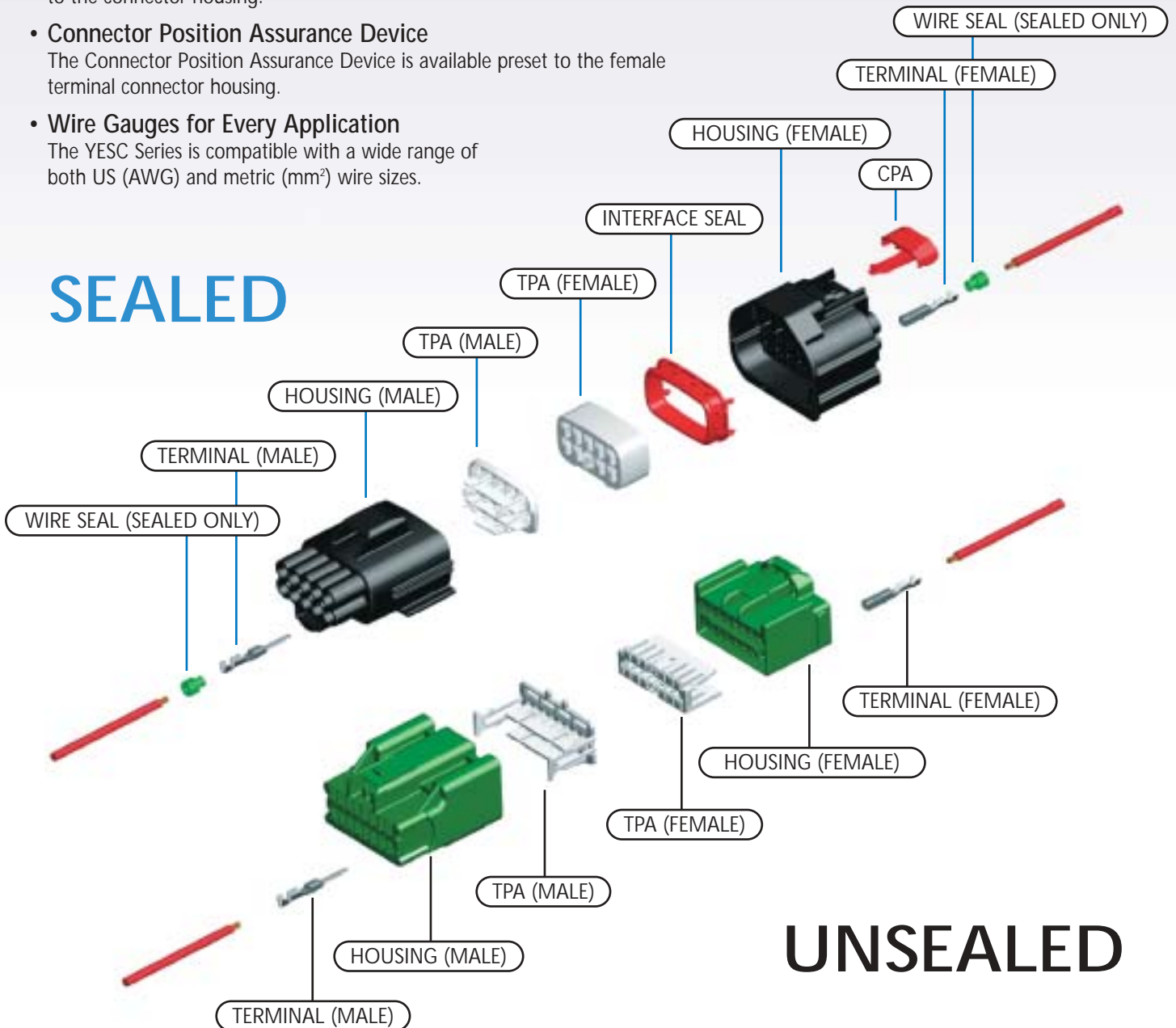
The result: Yazaki's global customers are assured of vehicle power and data solutions that deliver highly effective solutions to real-world challenges.



### SYSTEM FEATURES

- Wide Range of Advanced Connectors Available Immediately**  
 The YESC Series includes a full range of connector systems in stock – and available for immediate delivery worldwide – for virtually any vehicle application.
- USCAR / ISO Standard Compliant**  
 Terminal blade sizes are in accordance with USCAR and ISO standards (0.64 x 0.64, 1.5 x 0.8, 2.8 x 0.8, 6.3 x 0.8).
- Terminal Position Assurance Device**  
 Yazaki's Terminal Position Assurance Device is available front-loaded and preset to the connector housing.
- Connector Position Assurance Device**  
 The Connector Position Assurance Device is available preset to the female terminal connector housing.
- Wire Gauges for Every Application**  
 The YESC Series is compatible with a wide range of both US (AWG) and metric (mm<sup>2</sup>) wire sizes.

**SEALED**



**UNSEALED**

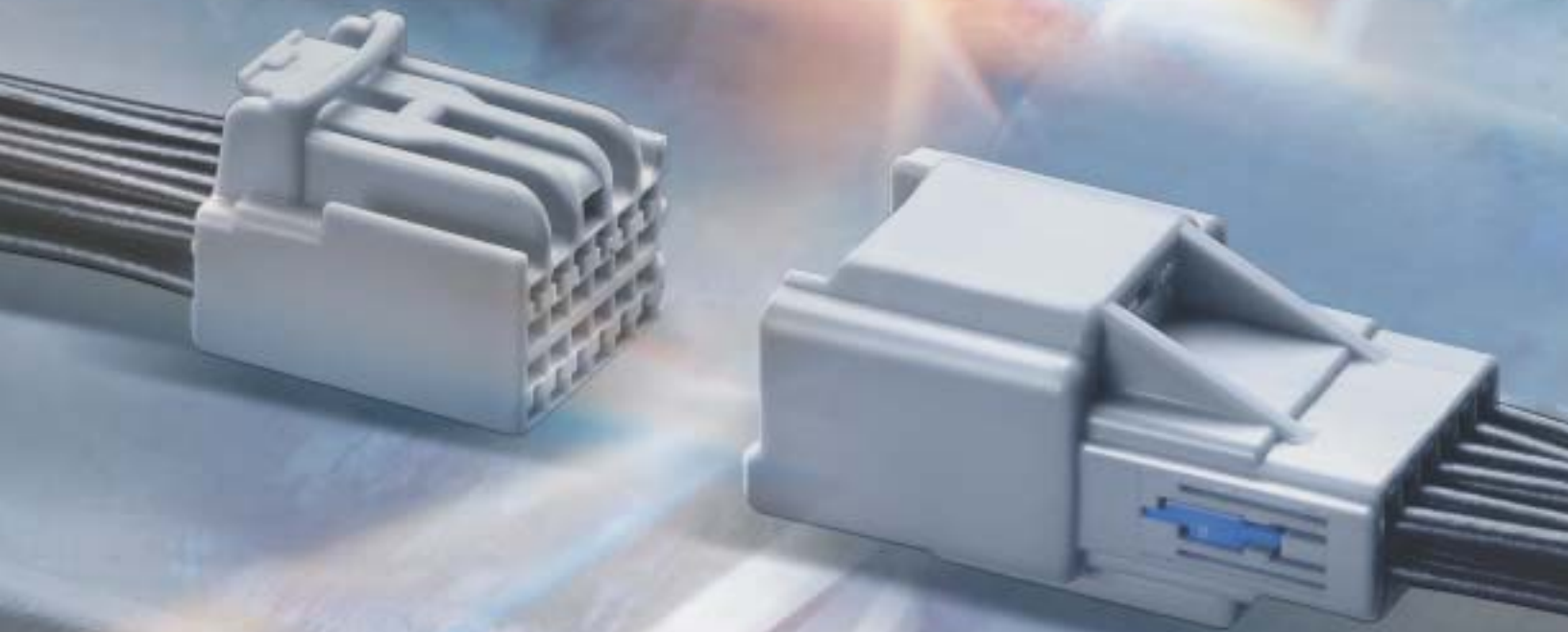
Y E S C

0.64

SERIES

UNSEALED

0.64 SERIES  
UNSEALED

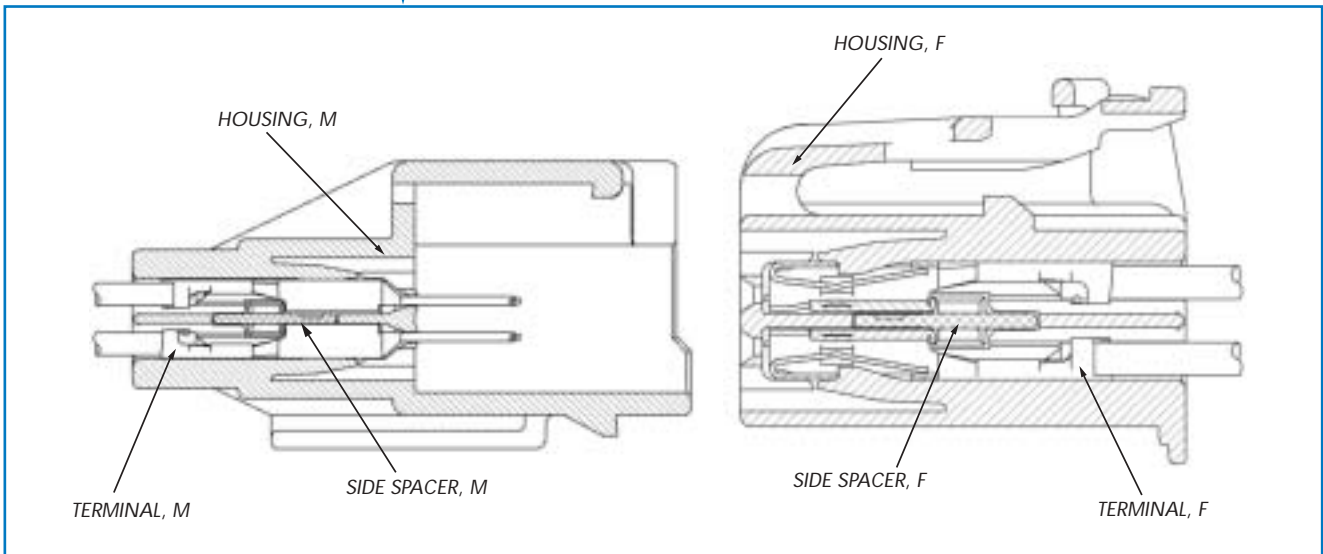


YAZAKI ENGINEERING STANDARD CONNECTORS

# 0.64 x 0.64

unsealed connection system

## Construction

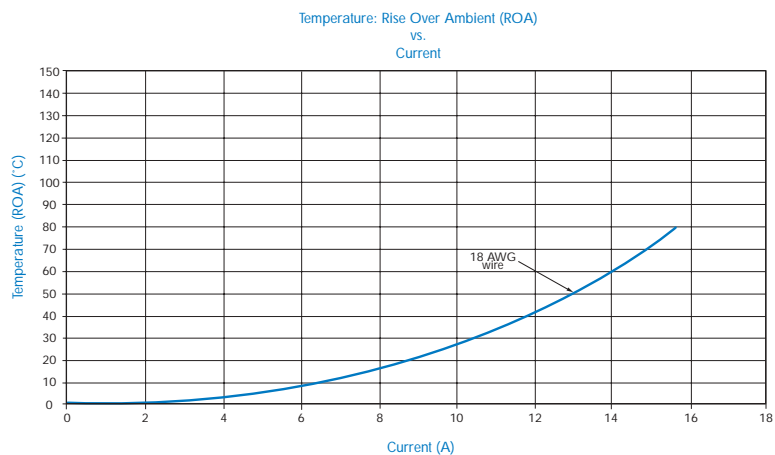


## Specifications

Material	Connector	PBT + GF
	Male Terminal	Copper Alloy (Sn/Au Plate)
	Female Terminal	Copper Alloy (Sn/Au Plate)
Operating Temperature Range		-40° C ~ 100° C (120° C max temp.) (USCAR Class II)
Current Capacity		(See Chart)
Voltage Drop		20mΩ Max (Term./Term.) (Crimp-To-Crimp)
Isolation Resistance		500VDC, 20MΩ Min
Dielectric Resistance		1000VAC (1 min.)
Applicable Wire Size		22AWG ~ 18AWG (0.22mm <sup>2</sup> ~ 0.76mm <sup>2</sup> )
Terminal Pitch		Horizontal: 2.54mm; Vertical: 2.54mm
Terminal-to-Connector Retention Force		75N Min
Connector-to-Connector Retention Force		110N Min

## Current Rating Curve (Reference Only)

This data is based on single circuit/connector evaluation. Data should be used as reference only. Appropriate derating should be considered based upon specific application requirements.





### Terminal

UNIT: mm

**Male Terminal**

Material: Copper Alloy      Thickness:  $t=0.3$

**Female Terminal**

Material: Copper Alloy      Thickness:  $t=0.25$

Description	Part Number	Plating	Applicable Wire Size		
			Europe (mm <sup>2</sup> )	U.S.A. (AWG)	Japan (mm <sup>2</sup> )
Male Terminal	7114-4720-02	Sn	0.35	22	0.3
	7114-4721-02	Sn	0.5 ~ 0.75	20 ~ 18	0.5 ~ 0.85
	7114-4720-08	Au	0.35	22	0.3
	7114-4721-08	Au	0.5 ~ 0.75	20 ~ 18	0.5 ~ 0.85
Female Terminal	7116-4720-02	Sn	0.35	22	0.3
	7116-4721-02	Sn	0.5 ~ 0.75	20 ~ 18	0.5 ~ 0.85
	7116-4720-08	Au	0.35	22	0.3
	7116-4721-08	Au	0.5 ~ 0.75	20 ~ 18	0.5 ~ 0.85

### Retainer Clip/Bracket Dimensions

UNIT: mm

Part Number	Panel Hole Requirements
7047-9580 (Ref)	$\phi 6.5\text{mm}$

# 0.64 x 0.64

unsealed connection system

## Part Number Summary Chart

Part Name	Male	Female
Terminal	7114-4720-02	7116-4720-02
	7114-4721-02	7116-4721-02
	7116-4721-08	7116-4720-08
	7116-4721-08	7116-4721-08
Applicable Clip	7047-9580 (Ref)	N/A

Pole	Polarity	Color	Male Part #	Female Part #	Female Part # (w/CPA)
4	A	Light Grey	7282-6560-40	7283-6386-40	7283-6560-40
6	A	Light Grey	7282-6561-40	7283-6387-40	7283-6561-40
8	A	Light Grey	7282-8870-40	7283-8873-40	7283-8872-40
12	A	Light Grey	7282-7696-40	7283-7696-40	7283-7697-40
20	A	Light Grey	7282-6568-40	7283-6388-40	7283-6568-40

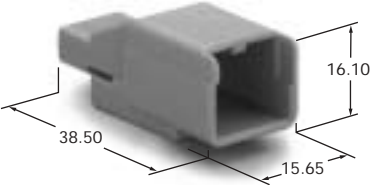
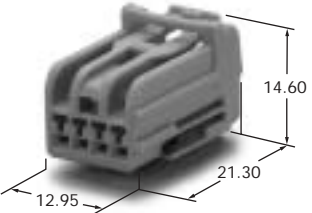
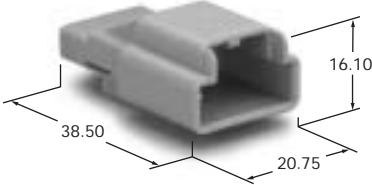
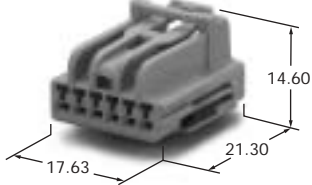
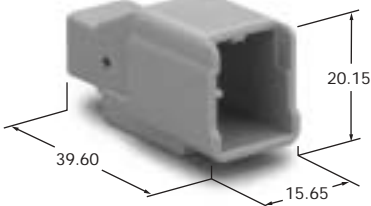
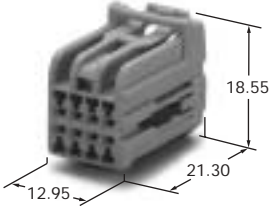
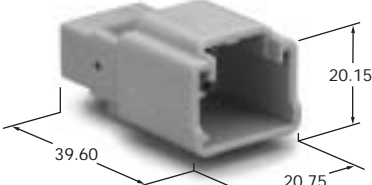
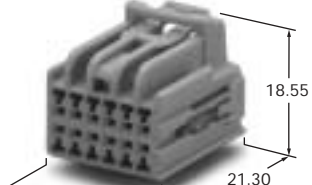
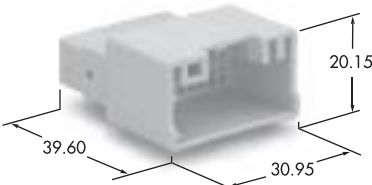
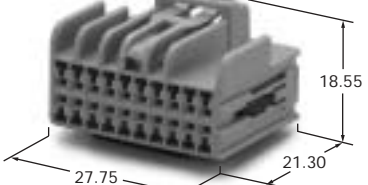
### \*Applicable Terminal Removal Tool/Dimensions

Refer to Page 80 for YESC Terminal Removal Tool.

Order Number: 49YA000105.

Housing Material: PBT+GF

UNIT: mm

Poles	Male Housing	Female Housing
4	 <p>7282-6560-40</p>	 <p>7283-6386-40</p>
6	 <p>7282-6561-40</p>	 <p>7283-6387-40</p>
8	 <p>7282-8870-40</p>	 <p>7283-8873-40</p>
12	 <p>7282-7696-40</p>	 <p>7283-7696-40</p>
20	 <p>7282-6568-40</p>	 <p>7283-6388-40</p>

# NOTES

---

Y E S C

0.64

S E R I E S

SEALED

0.64 SERIES  
SEALED

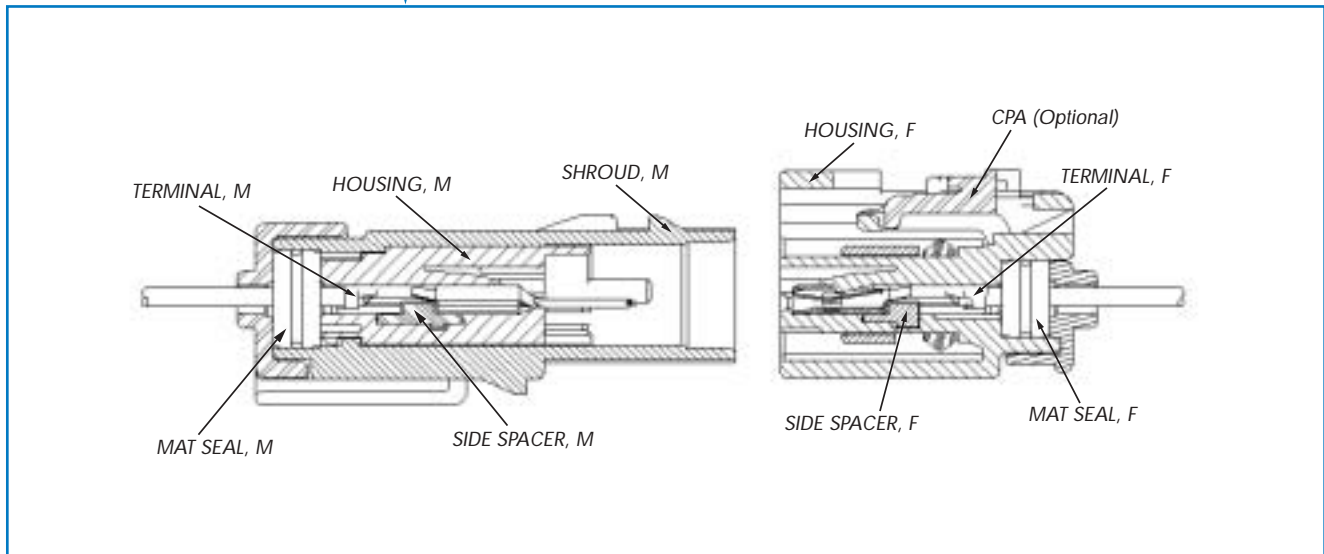


YAZAKI ENGINEERING STANDARD CONNECTORS

# 0.64 x 0.64

sealed connection system

## Construction

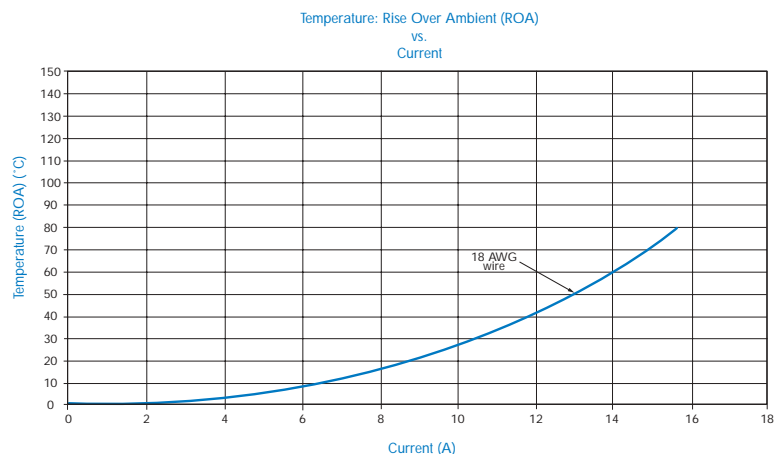


## Specifications

Material	Connector	PBT + GF
	Male Terminal	Copper Alloy (Sn/Au Plate)
	Female Terminal	Copper Alloy (Sn/Au Plate)
Operating Temperature Range		-40° C ~125° C (145° C max temp.) (USCAR Class III)
Current Capacity		(See Chart)
Voltage Drop		20mΩ Max (Term./Term.) (Crimp-To-Crimp)
Isolation Resistance		500VDC, 20MΩ Min
Dielectric Resistance		1000VAC (1 min.)
Applicable Wire Size		22AWG ~ 18AWG (0.22mm <sup>2</sup> ~ 0.76mm <sup>2</sup> )
Terminal Pitch		Horizontal: 2.54mm; Vertical: 2.54mm
Sealing Performance (Air Leak Pressure)		48kPa Min (Pre-Heat Soak); 28kPa (Post-Heat Soak)
Terminal-to-Connector Retention Force		75N Min
Connector-to-Connector Retention Force		110N Min

## Current Rating Curve (Reference Only)

This data is based on single circuit/connector evaluation. Data should be used as reference only. Appropriate derating should be considered based upon specific application requirements.



### Terminal

UNIT: mm

**Male Terminal**

Material: Copper Alloy      Thickness:  $t=0.3$

**Female Terminal**

Material: Copper Alloy      Thickness:  $t=0.25$

Description	Part Number	Plating	Applicable Wire Size		
			Europe (mm <sup>2</sup> )	U.S.A. (AWG)	Japan (mm <sup>2</sup> )
Male Terminal	7114-4720-02	Sn	0.35	22	0.3
	7114-4721-02	Sn	0.5 ~ 0.75	20 ~ 18	0.5 ~ 0.85
	7114-4720-08	Au	0.35	22	0.3
	7114-4721-08	Au	0.5 ~ 0.75	20 ~ 18	0.5 ~ 0.85
Female Terminal	7116-4720-02	Sn	0.35	22	0.3
	7116-4721-02	Sn	0.5 ~ 0.75	20 ~ 18	0.5 ~ 0.85
	7116-4720-08	Au	0.35	22	0.3
	7116-4721-08	Au	0.5 ~ 0.75	20 ~ 18	0.5 ~ 0.85

### Retainer Clip/Bracket Dimensions

UNIT: mm

Part Number	Panel Hole Requirements
7047-9580 (Ref)	φ6.5mm

## Part Number Summary Chart

Part Name	Male	Female
<i>Terminal</i>	7114-4720-02	7116-4720-02
	7114-4721-02	7116-4721-02
	7116-4721-08	7116-4720-08
	7116-4721-08	7116-4721-08
<i>Applicable Clip</i>	7047-9580 (Ref)	N/A

Pole	Polarity	Color	Male Part #	Female Part #	Female Part # (w/CPA)
2	A	Black	7282-6075-30	7283-6078-30	7283-6076-30

**\*Applicable Terminal Removal Tool/Dimensions**

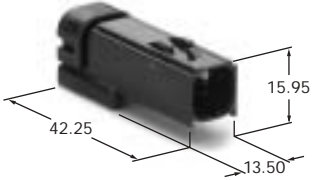
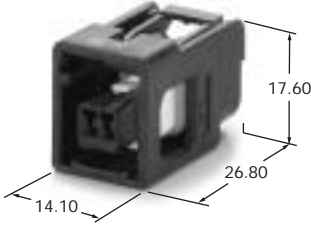
Refer to Page 80 for YESC Terminal Removal Tool.

Order Number: 49YA000105.



Housing Material: PBT+GF

UNIT: mm

<i>Poles</i>	<i>Male Housing</i>	<i>Female Housing</i>
2	 <p>7282-6075-30</p>	 <p>7283-6078-30</p>

# NOTES

---

Y E S C

# 1.5

## SERIES

UNSEALED

1.5 SERIES  
UNSEALED

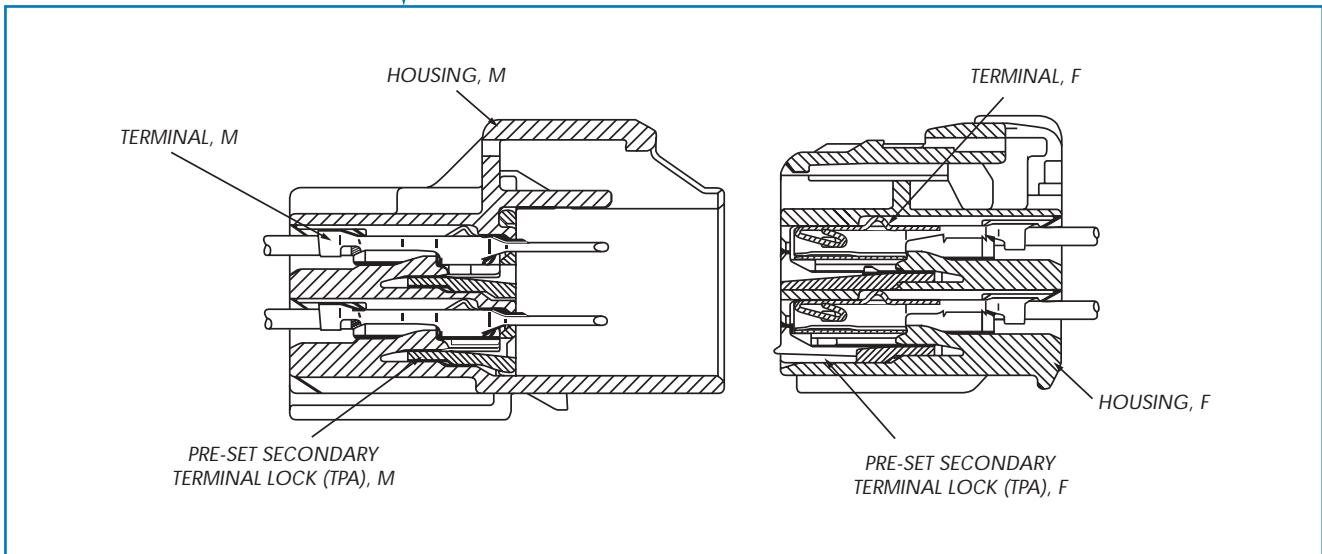


YAZAKI ENGINEERING STANDARD CONNECTORS

# 1.5 x 0.8

## unsealed connection system

### Construction



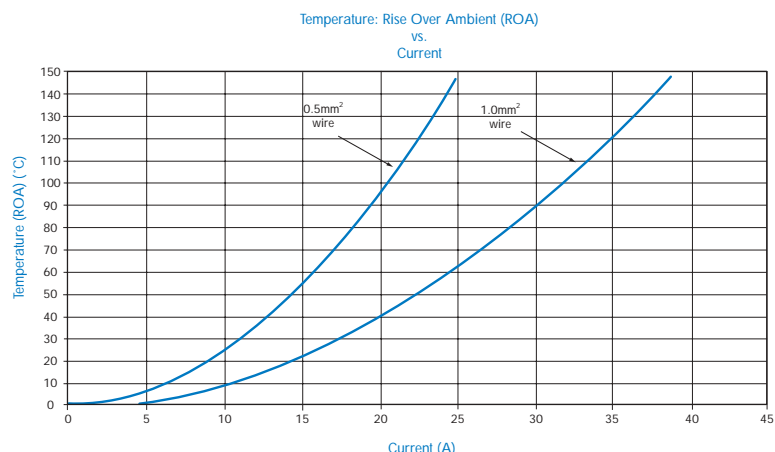
### Specifications

Material	Connector	HPA
	Male Terminal	Copper Alloy (Sn/Au Plate)
	Female Terminal	Copper Alloy (Sn/Au Plate)
Operating Temperature Range		-40° C ~125° C (145° C max temp.) (USCAR Class III)
Current Capacity		(See Chart)
Voltage Drop		10mΩ Max (Term./Term.) (Crimp-To-Crimp)
Isolation Resistance		500VDC, 20MΩ Min
Dielectric Resistance		1000VAC (1 min.)
Applicable Wire Size		22AWG ~ 16AWG (0.35mm <sup>2</sup> ~ 1.0mm <sup>2</sup> )
Terminal Pitch		Horizontal: 3.50mm; Vertical: 6.50mm
Terminal-to-Connector Retention Force		90N Min
Connector-to-Connector Retention Force		110N Min

### Current Rating Curve (Reference Only)

This data is based on single circuit/connector evaluation. Data should be used as reference only. Appropriate derating should be considered based upon specific application requirements.

0.35mm<sup>2</sup> rating curve not shown. Current capability of terminal exceeds capacity of wire.



**Terminal**

UNIT: mm

**Male Terminal**

Material: Copper Alloy      Thickness:  $t=0.3$

**Female Terminal**

Material: Copper Alloy      Thickness:  $t=0.25$

Description	Part Number	Plating	Applicable Wire Size		
			Europe (mm <sup>2</sup> )	U.S.A. (AWG)	Japan (mm <sup>2</sup> )
Male Terminal	7114-4100-02	Sn	0.35 ~ 0.5	22 ~ 20	0.3 ~ 0.5
	7114-4101-02	Sn	0.75 ~ 1.0	18 ~ 16	0.85 ~ 1.25
	7114-4100-08	Au	0.35 ~ 0.5	22 ~ 20	0.3 ~ 0.5
	7114-4101-08	Au	0.75 ~ 1.0	18 ~ 16	0.85 ~ 1.25
Female Terminal	7116-4100-02	Sn	0.35 ~ 0.5	22 ~ 20	0.3 ~ 0.5
	7116-4101-02	Sn	0.75 ~ 1.0	18 ~ 16	0.85 ~ 1.25
	7116-4100-08	Au	0.35 ~ 0.5	22 ~ 20	0.3 ~ 0.5
	7116-4101-08	Au	0.75 ~ 1.0	18 ~ 16	0.85 ~ 1.25

**Retainer Clip/Bracket Dimensions**

UNIT: mm

Part Number	Panel Hole Requirements
7047-9580 (Ref)	φ6.5mm

## Part Number Summary Chart

Part Name	Male	Female
Terminal	7114-4100-02	7116-4100-02
	7114-4101-02	7116-4101-02
	7114-4100-08	7116-4100-08
	7114-4101-08	7116-4101-08
Applicable Clip	7047-9580 (Ref)	N/A

Pole	Polarity	Color	Male Part #	Female Part #	Female Part # (w/CPA)	Delete Cap
2	A	Light Grey	7282-5530-40	7283-5530-40	7283-5904-40	7282-5555-40
2	A	Orange	7282-5530-50	7283-5530-50		
2	B	Green	7282-5680-60	7283-5680-60		
2	B	Yellow	7282-5680-70	7283-5680-70		
3	A	Light Grey	7282-5539-40	7283-5539-40	7283-5905-40	
4	A	Light Grey	7282-5531-40	7283-5531-40	7283-5906-40	
4	A	Yellow	7282-5531-70	7283-5531-70		
4	A	Orange	7282-5531-50	7283-5531-50		
4	B	Green	7282-5688-60	7283-6474-60	7283-6475-60	
6	A	Light Grey	7282-5532-40	7283-5532-40	7283-5907-40	7282-5944-40
8	A	Light Grey	7282-5538-40	7283-5538-40	7283-5908-40	
10	A	Light Grey	7282-5533-40	7283-5533-40	7283-5909-40	7282-8499-40
10	A	Yellow	7282-5533-70	7283-5533-70		
10	B	Green	7282-5683-60	7283-5683-60		
12	A	Light Grey	7282-5540-40	7283-5540-40	7283-5940-40	
16	A	Green	7282-5534-60	7283-5534-60	7283-5941-60	7282-5690-60
16	B	Blue	7282-5535-90	7283-5535-90		
16	C	Light Grey	7282-5536-40	7283-5536-40		

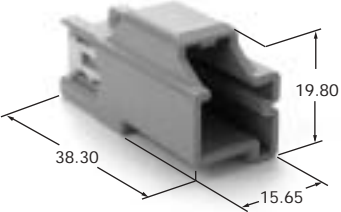
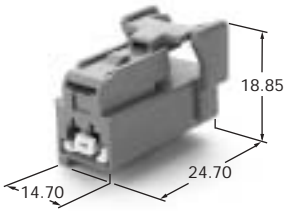
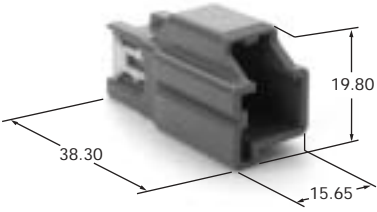
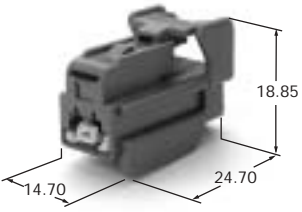
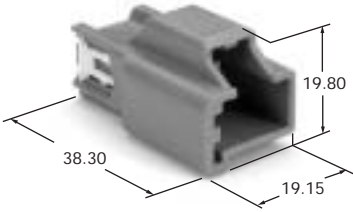
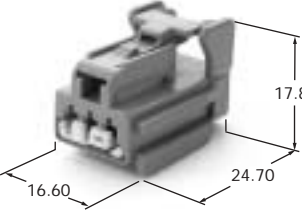
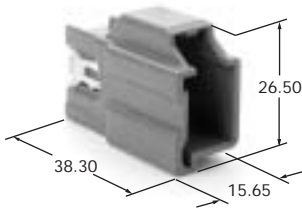
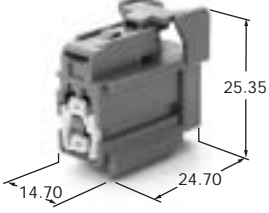
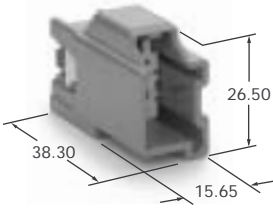
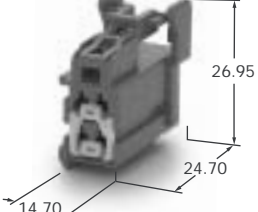
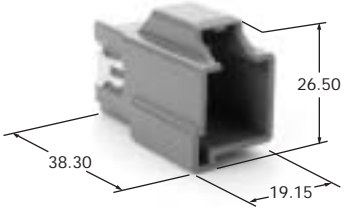
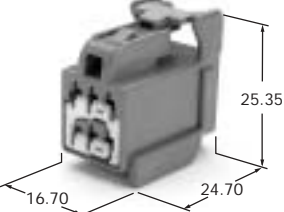
### \*Applicable Terminal Removal Tool/Dimensions

Refer to Page 80 for YESC Terminal Removal Tool.

Order Number: X39899-J374.

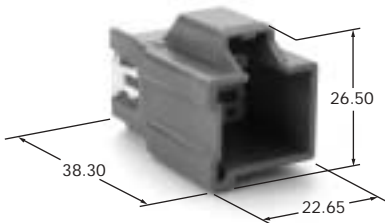
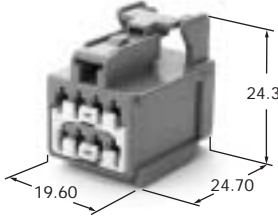
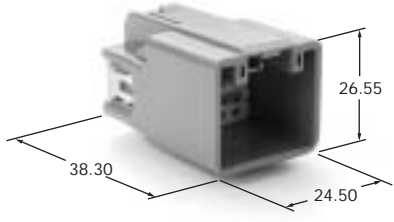
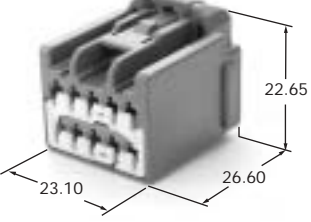
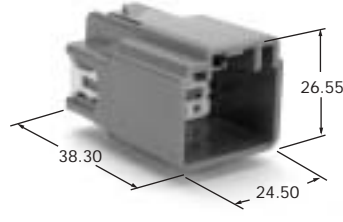
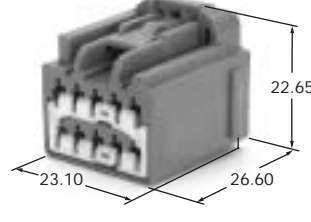
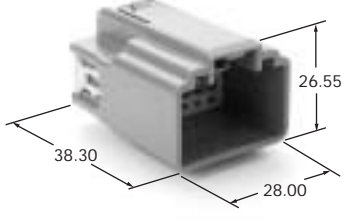
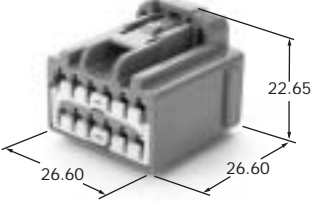
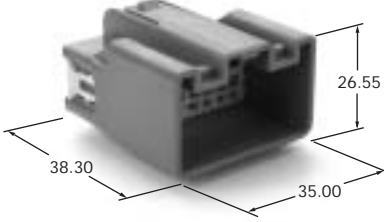
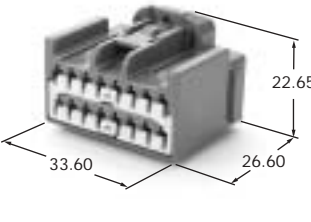
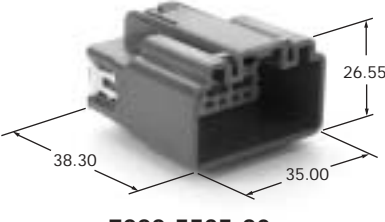
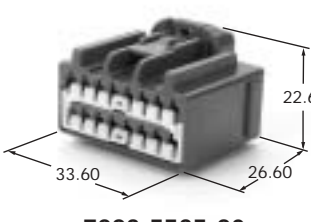
Housing Material: HPA

UNIT: mm

Poles	Male Housing	Female Housing
2	 <p>38.30, 19.80, 15.65</p> <p><b>7282-5530-40</b></p>	 <p>18.85, 24.70, 14.70</p> <p><b>7283-5530-40</b></p>
2	 <p>38.30, 19.80, 15.65</p> <p><b>7282-5680-60</b></p>	 <p>18.85, 24.70, 14.70</p> <p><b>7283-5680-60</b></p>
3	 <p>38.30, 19.80, 19.15</p> <p><b>7282-5539-40</b></p>	 <p>17.85, 24.70, 16.60</p> <p><b>7283-5539-40</b></p>
4	 <p>38.30, 26.50, 15.65</p> <p><b>7282-5531-40</b></p>	 <p>25.35, 24.70, 14.70</p> <p><b>7283-5531-40</b></p>
4	 <p>38.30, 26.50, 15.65</p> <p><b>7282-5688-60</b></p>	 <p>26.95, 24.70, 14.70</p> <p><b>7283-6474-60</b></p>
6	 <p>38.30, 26.50, 19.15</p> <p><b>7282-5532-40</b></p>	 <p>25.35, 24.70, 16.70</p> <p><b>7283-5532-40</b></p>

Housing Material: HPA

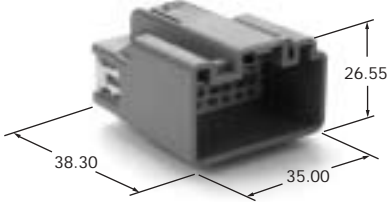
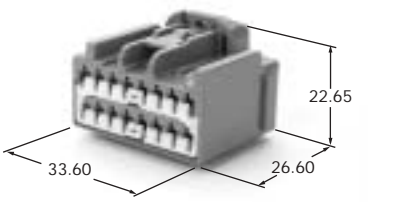
UNIT: mm

Poles	Male Housing	Female Housing
8	 <p>7282-5538-40</p>	 <p>7283-5538-40</p>
10	 <p>7282-5533-40</p>	 <p>7283-5533-40</p>
10	 <p>7282-5683-60</p>	 <p>7283-5683-60</p>
12	 <p>7282-5540-40</p>	 <p>7283-5540-40</p>
16	 <p>7282-5534-60</p>	 <p>7283-5534-60</p>
16	 <p>7282-5535-90</p>	 <p>7283-5535-90</p>



**Housing Material: HPA**

UNIT: mm

<i>Poles</i>	<i>Male Housing</i>	<i>Female Housing</i>
<p>16</p>	 <p>7282-5536-40</p>	 <p>7283-5536-40</p>

# NOTES

---

Y E S C

1.5

SERIES

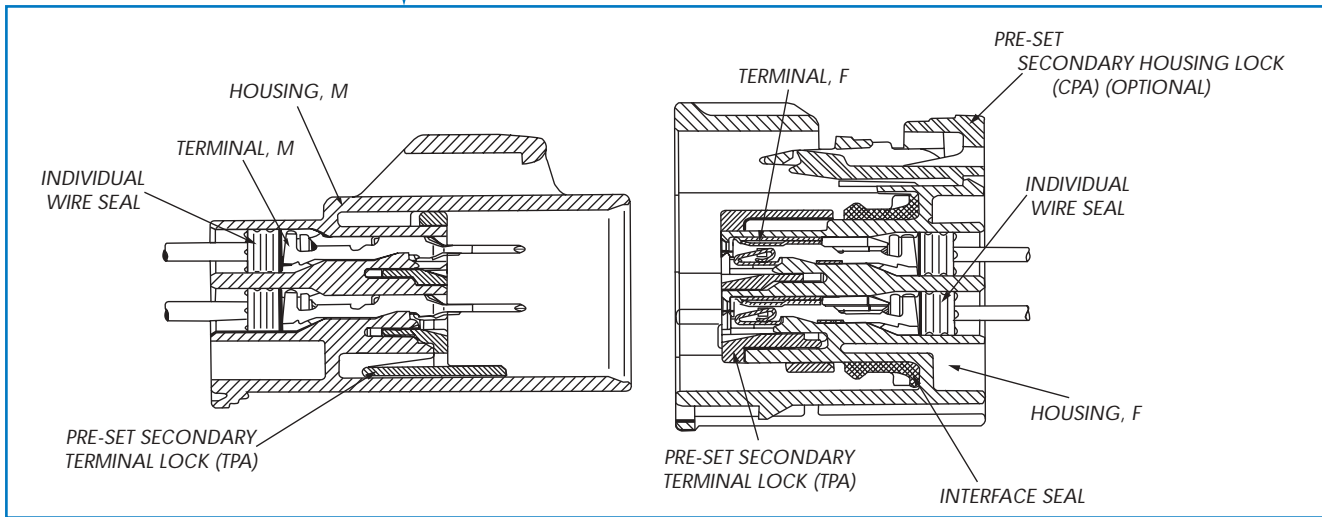
SEALED

1.5 SERIES  
SEALED



YAZAKI ENGINEERING STANDARD CONNECTORS

## Construction



## Specifications

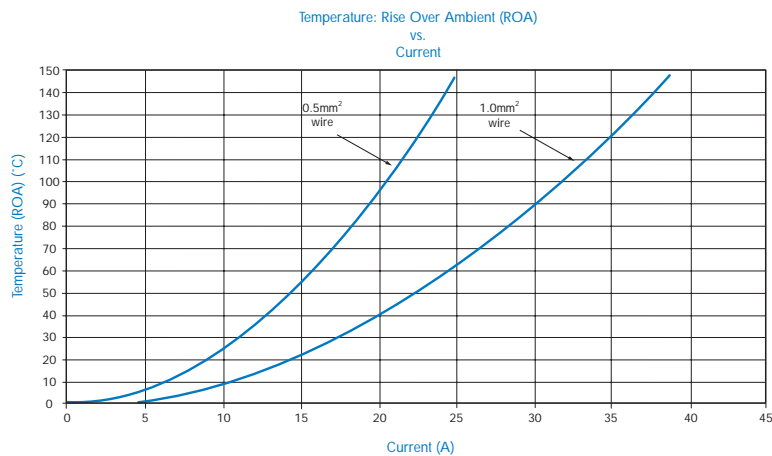
Material	Connector	HPA
	Male Terminal	Copper Alloy (Sn/Au Plate)
	Female Terminal	Copper Alloy (Sn/Au Plate)
Operating Temperature Range		-40°C ~ 125°C (145°C max temp.) (USCAR Class III)
Current Capacity		(See Chart)
Voltage Drop		10mΩ Max (Term./Term.) (Crimp-To-Crimp)
Isolation Resistance		500VDC, 20MΩ Min
Dielectric Resistance		1000VAC (1 min.)
Applicable Wire Size		22AWG ~ 16AWG (0.35mm <sup>2</sup> ~ 1.0mm <sup>2</sup> )
Terminal Pitch		Horizontal: 5.50mm; Vertical: 6.50mm
Sealing Performance (Air Leak Pressure)		48kPa Min (Pre-Heat Soak); 28kPa (Post-Heat Soak)
Terminal-to-Connector Retention Force		90N Min
Connector-to-Connector Retention Force		110N Min

## Current Rating Curve (Reference Only)

This data is based on single circuit/connector evaluation. Data should be used as reference only. Appropriate derating should be considered based upon specific application requirements.

0.35mm<sup>2</sup> rating curve not shown.

Current capability of terminal exceeds capacity of wire.



### Terminal

UNIT: mm

**Male Terminal**

Material: Copper Alloy      Thickness:  $t=0.3$

**Female Terminal**

Material: Copper Alloy      Thickness:  $t=0.25$

Description	Part Number	Plating	Applicable Wire Size		
			Europe (mm <sup>2</sup> )	U.S.A. (AWG)	Japan (mm <sup>2</sup> )
Male Terminal	7114-4102-02	Sn	0.35 ~ 0.5	22 ~ 20	0.3 ~ 0.5
	7114-4103-02	Sn	0.75 ~ 1.0	18 ~ 16	0.85 ~ 1.25
	7114-4102-08	Au	0.35 ~ 0.5	22 ~ 20	0.3 ~ 0.5
	7114-4103-08	Au	0.75 ~ 1.0	18 ~ 16	0.85 ~ 1.25
Female Terminal	7116-4102-02	Sn	0.35 ~ 0.5	22 ~ 20	0.3 ~ 0.5
	7116-4103-02	Sn	0.75 ~ 1.0	18 ~ 16	0.85 ~ 1.25
	7116-4102-08	Au	0.35 ~ 0.5	22 ~ 20	0.3 ~ 0.5
	7116-4103-08	Au	0.75 ~ 1.0	18 ~ 16	0.85 ~ 1.25

### Cable Seal

UNIT: mm

Description	Part Number	Color	Material	Wire O.D. Range
Cable Seal	7158-3030-50	Red	Silicone	1.19 ~ 1.70
	7158-3031-90	Blue	Silicone	1.60 ~ 2.34
Unused Cavity Plug	7158-3032-60	Green	Silicone	N/A

### Retainer Clip/Bracket Dimensions

UNIT: mm

Part Number	Panel Hole Requirements
7047-9580 (Ref.)	$\phi 6.5\text{mm}$

## Part Number Summary Chart

Part Name	Male	Female
Terminal	7114-4102-02	7116-4102-02
	7114-4103-02	7116-4103-02
	7114-4102-08	7116-4102-08
	7114-4103-08	7116-4103-08
Cable Seal	7158-3030-50	
	7158-3031-90	
Unused Cavity Plug	7158-3032-60	
Applicable Clip	N/A	7047-9580 (Ref)

Pole	Polarity	Color Description	Male Part #	Female Part #	Female Part # (w/CPA)	Delete Cap
2	A	Black	7282-5548-30	7283-5548-30	7283-5549-30	7283-5692-30
2	B	Dark Grey	7282-5558-10	7283-5558-10	7283-5559-10	
2	B	Light Grey		7283-5558-40	7283-5559-40	
2		Black/Direct only		7283-5689-30		
2		Dark Grey/Direct only			7283-6432-10	
2		Natural/Direct only			7283-6433	
2		Light Grey/Direct only			7283-6434-40	
2		Black/Direct only			7283-5967-30	
3	A	Black	7282-5541-30	7283-5541-30	7283-5542-30	7134-4482-30
3	B	Dark Grey	7282-5691-10	7283-5691-10	7283-5880-10	
3		Black/Direct only		7283-5537-30		
4	2-Row A	Dark Grey	7282-5543-10	7283-5543-10	7283-5544-10	
4	2-Row B	Black	7282-5889-30	7283-5889-30		
4	2-Row B	Blue	7282-5889-90	7283-5889-90		
4	1-Row A	Black		7283-5885-30	7283-5886-30	
5	A	Black		7283-5547-30	7283-5550-30	7234-4481-30
6	A	Dark Grey	7282-5553-10	7283-5553-10	7283-5554-10	
6	A	Black	7282-5553-30	7283-5553-30	7283-5554-30	
8	A	Dark Grey	7282-5684-10	7283-5684-10	7283-5685-10	
8	A	Black	7282-5684-30	7283-5684-30	7283-5685-30	
10	2-Row A	Black	7282-5946-30	7283-5946-30	7283-5947-30	
10	2-Row B	Dark Grey, #1 Pin Neg.			7283-5694-10	
10	2-Row B	Light Grey, #1 Pin Neg.		7283-5948-40	7283-5694-40	
10	2-Row B	Dark Grey, #5 & #9 Pin Neg.			7283-5695-10	
10	2-Row B	Black, #5 & #9 Pin Neg.			7283-5695-30	
10	2-Row B	Black, #1 & #5 Pin Neg.		7283-6472-30	7283-6473-30	
10	5-Row A	Black/ PBT Material		7283-6478-30	7283-6479-30	
12	A	Dark Grey	7283-5545-10	7283-5546-10	7282-5545-10	
12	A	Black	7282-5545-30	7283-5545-30	7283-5546-30	
18	A	Black	7282-6493-30	7283-6493-30		

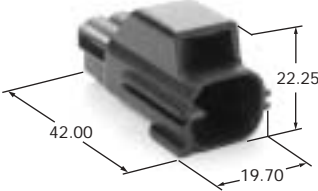

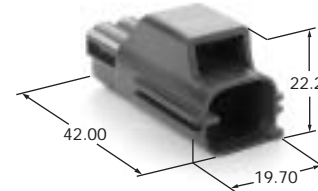
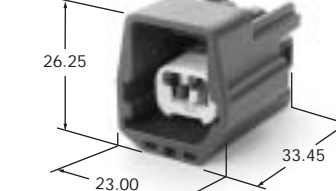

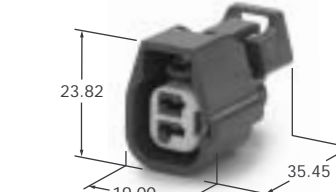

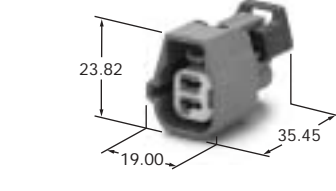
**\* Applicable Terminal Removal Tool/Dimensions**

Refer to Page 80 for YESC Terminal Removal Tool.

Order Number: X39899-J374.

Housing Material: HPA

UNIT: mm

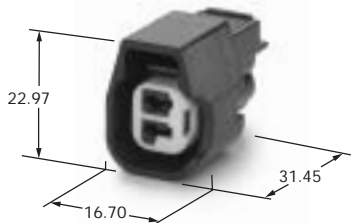
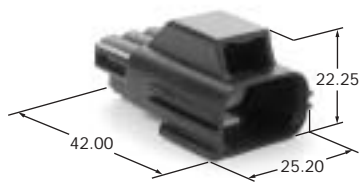
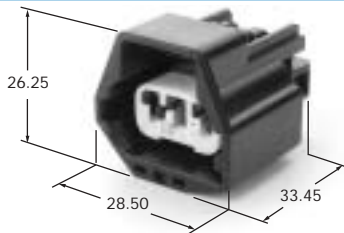
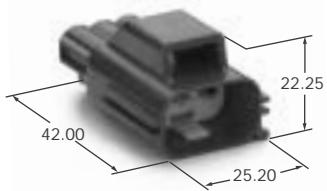
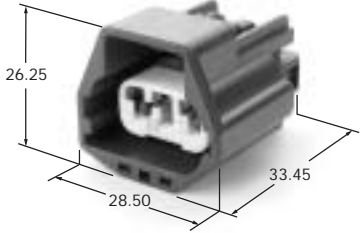

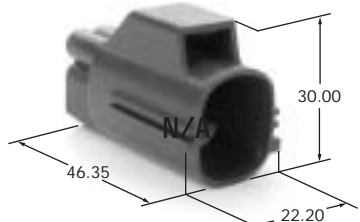
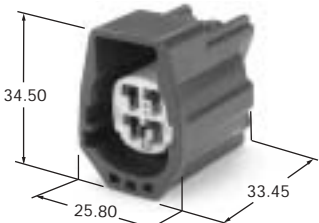
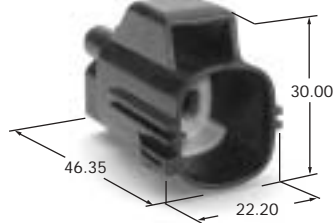
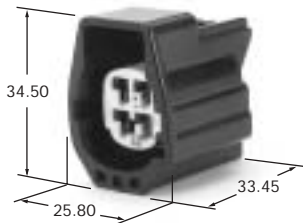
Poles	Male Housing	Female Housing
2	 <p>7282-5548-30</p>	 <p>7283-5548-30</p>
2	 <p>7282-5558-10</p>	 <p>7283-5558-10</p>
2	N/A	 <p>7283-5689-30</p>
2	N/A	 <p>7283-6432-10</p>
2	N/A	 <p>7283-6433</p>
2	N/A	 <p>7283-6434-40</p>

# 1.5 x 0.8

sealed connection system

Housing Material: HPA


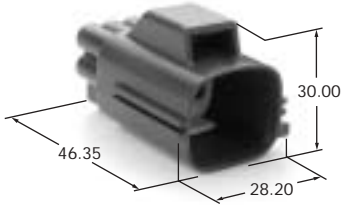

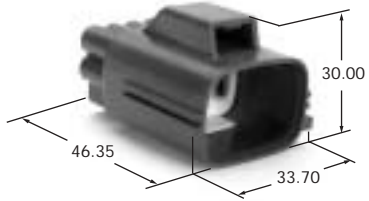

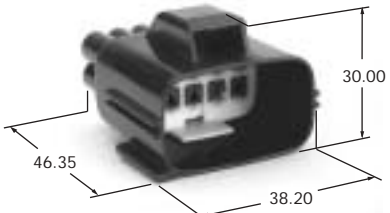
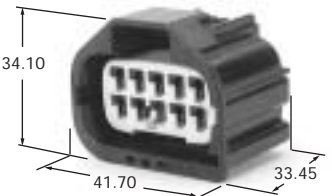
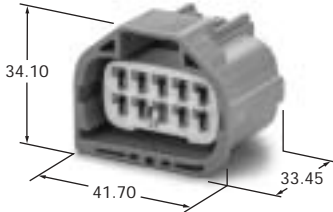
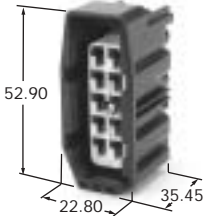
UNIT: mm

Poles	Male Housing	Female Housing
2	N/A	 <p>7283-5967-30</p>
3	 <p>7282-5541-30</p>	 <p>7283-5541-30</p>
3	 <p>7282-5691-10</p>	 <p>7283-5691-10</p>
3	N/A	 <p>7283-5537-30</p>
4	 <p>7282-5543-10</p>	 <p>7283-5543-10</p>
4	 <p>7282-5889-30</p>	 <p>7283-5889-30</p>



Housing Material: HPA

UNIT: mm

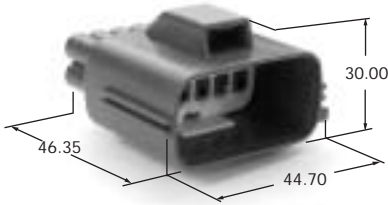
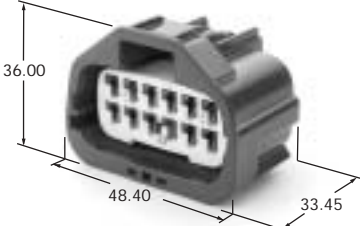
Poles	Male Housing	Female Housing
4	N/A	 <p>26.25 34.00 33.45</p> <p><b>7283-5885-30</b></p>
6	 <p>46.35 30.00 28.20</p> <p><b>7282-5553-10</b></p>	 <p>34.50 31.70 33.45</p> <p><b>7283-5553-10</b></p>
8	 <p>46.35 30.00 33.70</p> <p><b>7282-5684-10</b></p>	 <p>36.00 37.40 33.45</p> <p><b>7283-5684-10</b></p>
10	 <p>46.35 30.00 38.20</p> <p><b>7282-5946-30</b></p>	 <p>34.10 41.70 33.45</p> <p><b>7283-5946-30</b></p>
10	N/A	 <p>34.10 41.70 33.45</p> <p><b>7283-5948-40</b></p>
10	N/A	 <p>52.90 22.80 35.45</p> <p><b>7283-6478-30</b></p>

# 1.5 x 0.8

sealed connection system

Housing Material: HPA

UNIT: mm

<i>Poles</i>	<i>Male Housing</i>	<i>Female Housing</i>
12	 <p>7282-5545-10</p>	 <p>7283-5545-10</p>

Y E S C

# 2.8

## SERIES

*UNSEALED*

2.8 SERIES  
UNSEALED

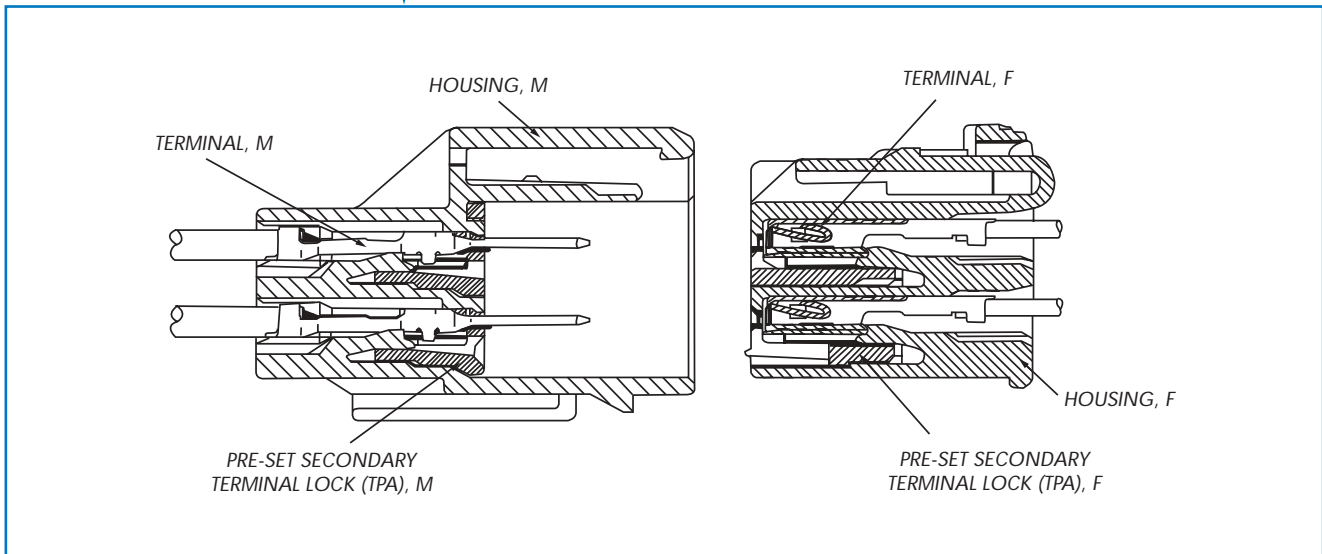


YAZAKI ENGINEERING STANDARD CONNECTORS

# 2.8 x 0.8

unsealed connection system

## Construction



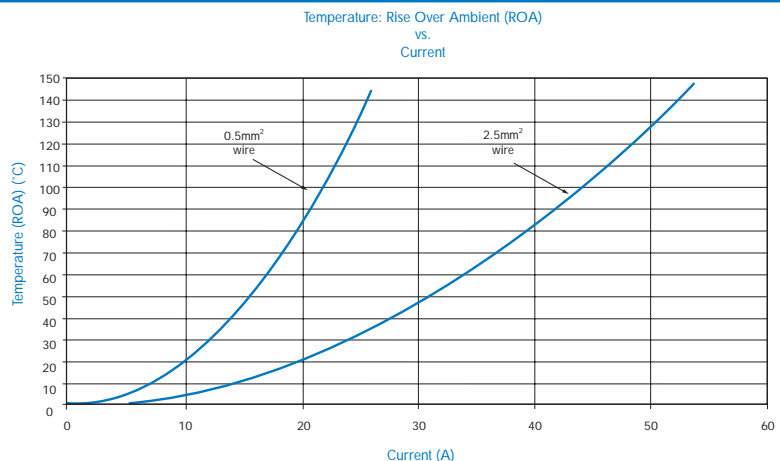
## Specifications

Material	Connector	HPA
	Male Terminal	Copper Alloy (Sn Plate)
	Female Terminal	Copper Alloy (Sn Plate)
Operating Temperature Range		-40° C ~125° C (145° C max temp.) (USCAR Class III)
Current Capacity		(See Chart)
Voltage Drop		10mΩ Max (Term./Term.) (Crimp-To-Crimp)
Isolation Resistance		500VDC, 20MΩ Min
Dielectric Resistance		1000VAC (1 min.)
Applicable Wire Size		22AWG ~ 14AWG (0.35mm <sup>2</sup> ~ 2.5mm <sup>2</sup> )
Terminal Pitch		Horizontal: 5.00mm; Vertical: 6.80mm
Terminal-to-Connector Retention Force		90N Min
Connector-to-Connector Retention Force		110N Min

## Current Rating Curve (Reference Only)

This data is based on single circuit/connector evaluation. Data should be used as reference only. Appropriate derating should be considered based upon specific application requirements.

0.35mm<sup>2</sup> rating curve not shown.  
Current capability of terminal exceeds capacity of wire.



### Terminal

UNIT: mm

**Male Terminal**

Material: Copper Alloy      Thickness:  $t=0.3$

**Female Terminal**

Material: Copper Alloy      Thickness:  $t=0.3$

Description	Part Number	Plating	Applicable Wire Size		
			Europe (mm <sup>2</sup> )	U.S.A. (AWG)	Japan (mm <sup>2</sup> )
Male Terminal	7114-4110-02	Sn	0.35 ~ 0.5	22 ~ 20	0.3 ~ 0.5
	7114-4111-02	Sn	0.75 ~ 1.0	18 ~ 16	0.85 ~ 1.25
	7114-4112-02	Sn	1.5 ~ 2.5	14	2.0
Female Terminal	7116-4110-02	Sn	0.35 ~ 0.5	22 ~ 20	0.3 ~ 0.5
	7116-4111-02	Sn	0.75 ~ 1.0	18 ~ 16	0.85 ~ 1.25
	7116-4112-02	Sn	1.5 ~ 2.5	14	2.0

### Retainer Clip/Bracket Dimensions

UNIT: mm

Part Number	Panel Hole Requirements
7047-9580 (Ref)	φ6.5mm

## Part Number Summary Chart

Part Name	Male	Female
Terminal	7114-4110-02	7116-4110-02
	7114-4111-02	7116-4111-02
	7114-4112-02	7116-4112-02
Applicable Clip	7047-9580 (Ref)	N/A

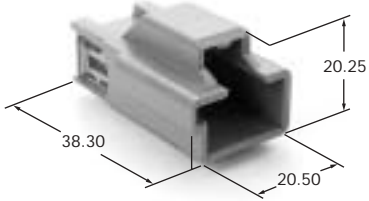
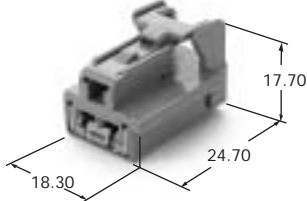
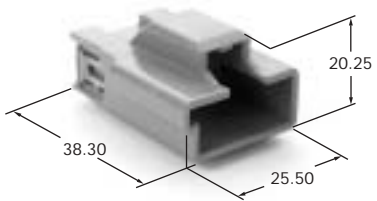
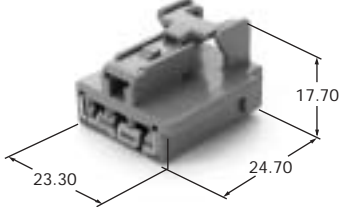
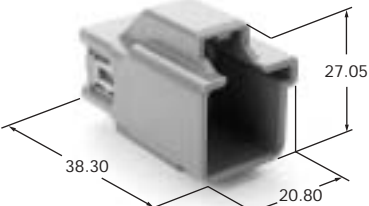
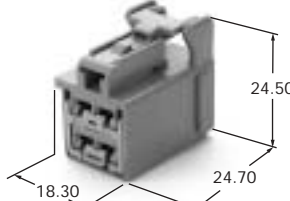
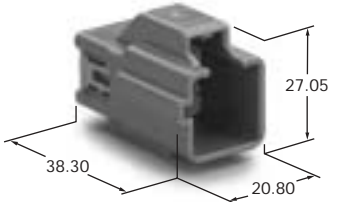
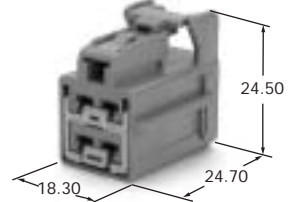
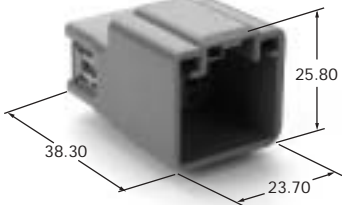
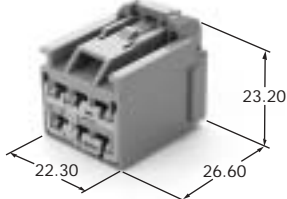
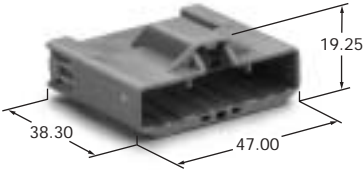
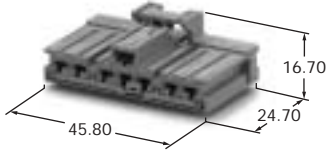
Pole	Polarity	Color	Male Part #	Female Part #	Female Part # (w/CPA)	Delete Cap
2	A	Light Grey	7282-5565-40	7283-5565-40	7283-5910-40	
3	A	Light Grey	7282-5563-40	7283-5563-40	7283-5911-40	
4	A	Light Grey	7282-5561-40	7283-5561-40	7283-5912-40	
4	B	Green	7282-5566-60	7283-5566-60		
6	A	Light Grey	7282-5569-40	7283-5569-40	7283-5913-40	
7	A	Light Grey	7282-5580-40	7283-5580-40		
8	A	Light Grey	7282-5560-40	7283-5560-40	7283-5914-40	
8	A	Blue		7283-5560-90		
8		Green/Direct only		7283-5917-60		
8		Green/Direct only		7283-6382-60		
8		Dark Grey/Direct only		7283-6384-10	7283-6383-10	
10	A	Light Grey	7282-5564-40	7283-5564-40	7283-5915-40	7282-8473-40
12	A	Light Grey	7282-5567-40	7283-5567-40	7283-5916-40	
12	B	Green	7282-5578-60	7283-5578-60		

### \*Applicable Terminal Removal Tool/Dimensions

Refer to Page 80 for YESC Terminal Removal Tool.  
Order Number: X39899-J374.

Housing Material: HPA

UNIT: mm

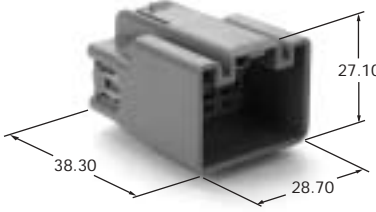
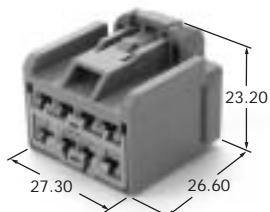
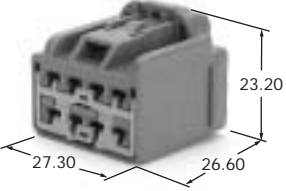
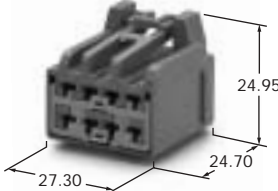
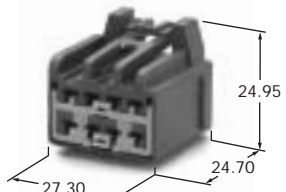
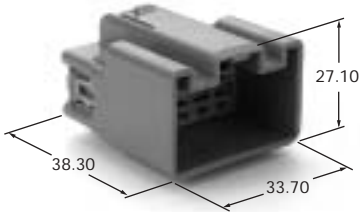
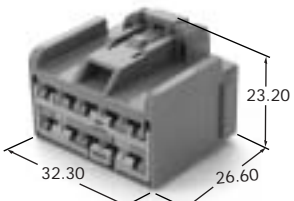
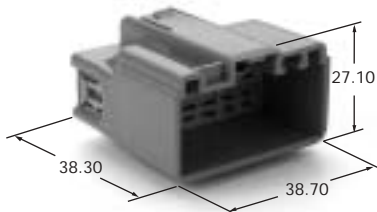
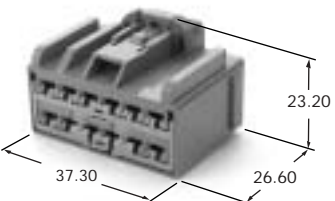
Poles	Male Housing	Female Housing
2	 <p>7282-5565-40</p>	 <p>7283-5565-40</p>
3	 <p>7282-5563-40</p>	 <p>7283-5563-40</p>
4	 <p>7282-5561-40</p>	 <p>7283-5561-40</p>
4	 <p>7282-5566-60</p>	 <p>7283-5566-60</p>
6	 <p>7282-5569-40</p>	 <p>7283-5569-40</p>
7	 <p>7282-5580-40</p>	 <p>7283-5580-40</p>

# 2.8 x 0.8

unsealed connection system

Housing Material: HPA

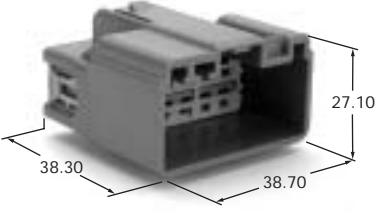
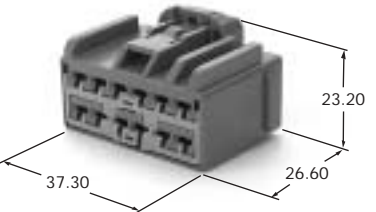
UNIT: mm

Poles	Male Housing	Female Housing
8	 <p>7282-5560-40</p>	 <p>7283-5560-40</p>
8	N/A	 <p>7283-5917-60</p>
8	N/A	 <p>7283-6382-60</p>
8	N/A	 <p>7283-6384-10</p>
10	 <p>7282-5564-40</p>	 <p>7283-5564-40</p>
12	 <p>7282-5567-40</p>	 <p>7283-5567-40</p>



Housing Material: HPA

UNIT: mm

<i>Poles</i>	<i>Male Housing</i>	<i>Female Housing</i>
12	 <p>7282-5578-60</p> <p>Dimensions: 38.30, 38.70, 27.10</p>	 <p>7283-5578-60</p> <p>Dimensions: 37.30, 26.60, 23.20</p>

# NOTES

---

Y-E-S-C

# 2.8

## SERIES

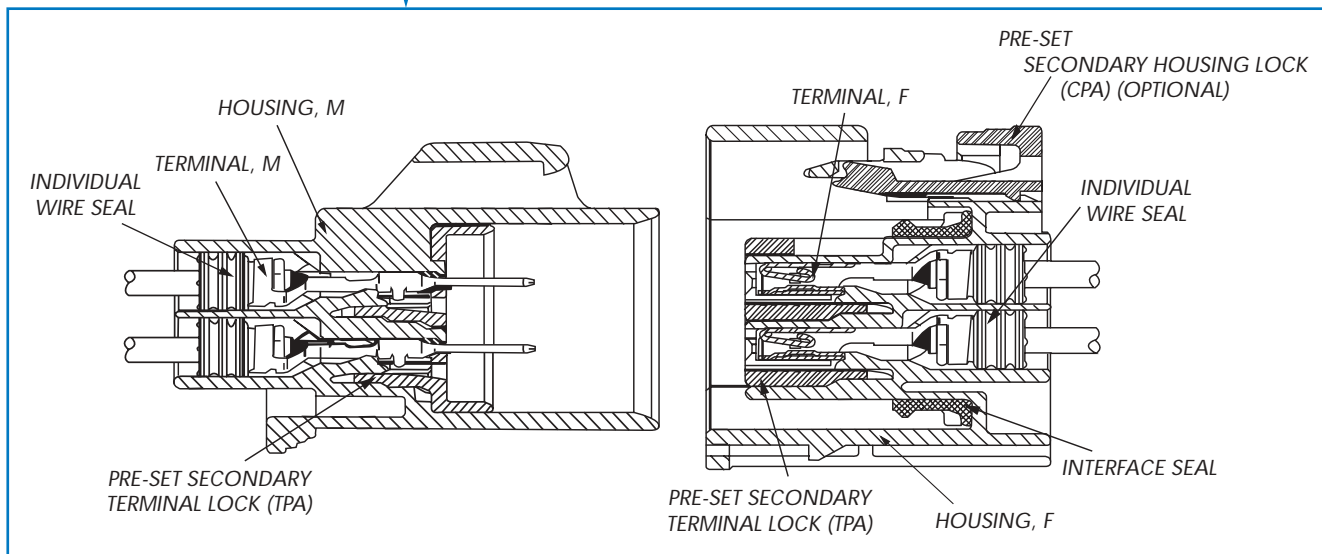
SEALED

2.8 SERIES  
SEALED



YAZAKI ENGINEERING STANDARD CONNECTORS

## Construction



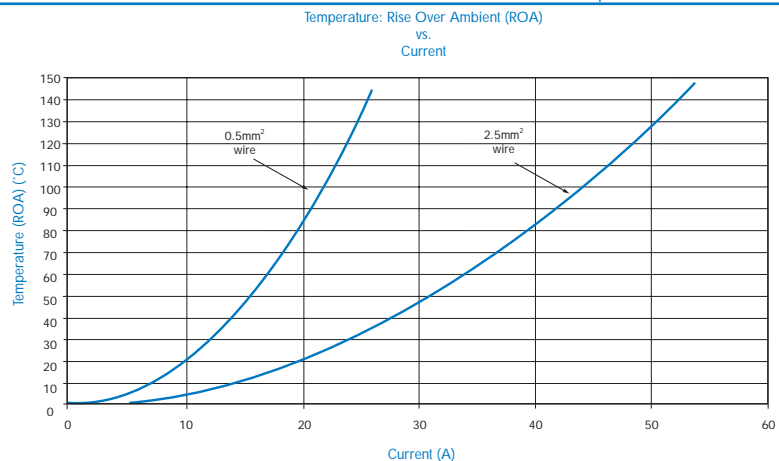
## Specifications

Material	Connector	HPA
	Male Terminal	Copper Alloy (Sn Plate)
	Female Terminal	Copper Alloy (Sn Plate)
Operating Temperature Range		-40°C ~ 125°C (145°C max temp.) (USCAR Class III)
Current Capacity		(See Chart)
Voltage Drop		10mΩ Max (Term./Term.) (Crimp-To-Crimp)
Isolation Resistance		500VDC, 20MΩ Min
Dielectric Resistance		1000VAC (1 min.)
Applicable Wire Size		22AWG ~ 14AWG (0.35mm <sup>2</sup> ~ 2.5mm <sup>2</sup> )
Terminal Pitch		Horizontal: 6.80mm; Vertical: 6.80mm
Sealing Performance (Air Leak Pressure)		48kPa Min (Pre-Heat Soak); 28kPa (Post-Heat Soak)
Terminal-to-Connector Retention Force		90N Min
Connector-to-Connector Retention Force		110N Min

## Current Rating Curve (Reference Only)

This data is based on single circuit/connector evaluation. Data should be used as reference only. Appropriate derating should be considered based upon specific application requirements.

0.35mm<sup>2</sup> rating curve not shown. Current capability of terminal exceeds capacity of wire.



### Terminal

UNIT: mm

**Male Terminal**

Material: Copper Alloy      Thickness:  $t=0.3$

**Female Terminal**

Material: Copper Alloy      Thickness:  $t=0.3$

Description	Part Number	Plating	Applicable Wire Size		
			Europe (mm <sup>2</sup> )	U.S.A. (AWG)	Japan (mm <sup>2</sup> )
Male Terminal	7114-4150-02	Sn	0.35 ~ 0.5	22 ~ 20	0.3 ~ 0.5
	7114-4151-02	Sn	0.75 ~ 1.0	18 ~ 16	0.85 ~ 1.25
	7114-4152-02	Sn	1.5 ~ 2.5	14	2.0
Female Terminal	7116-4150-02	Sn	0.35 ~ 0.5	22 ~ 20	0.3 ~ 0.5
	7116-4151-02	Sn	0.75 ~ 1.0	18 ~ 16	0.85 ~ 1.25
	7116-4152-02	Sn	1.5 ~ 2.5	14	2.0

### Cable Seal

UNIT: mm

$\phi$  6.90      9.05

$\phi$  7.10      12.00

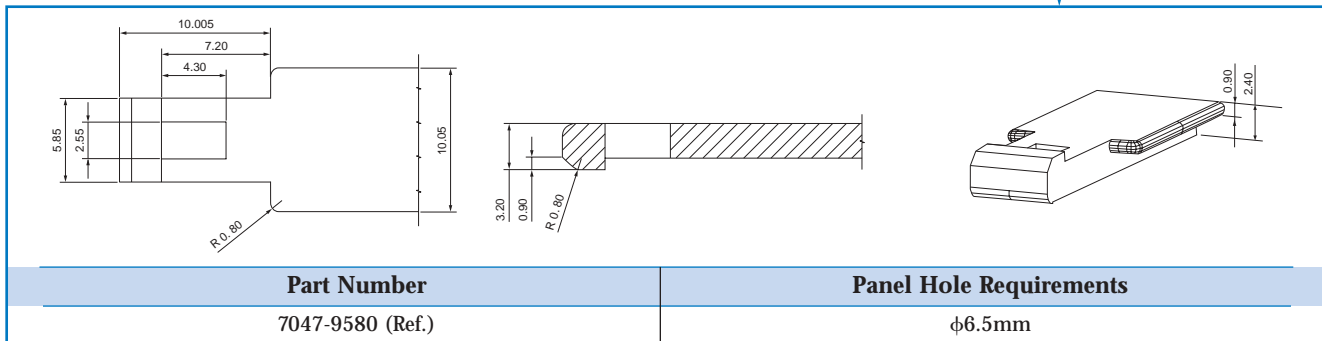
Description	Part Number	Color	Material	Wire O.D. Range
Cable Seal	7158-3110-40	Light Grey	Silicone	3.10 ~ 3.3
	7158-3111-60	Green	Silicone	1.19 ~ 1.9
	7158-3112-70	Yellow	Silicone	1.88 ~ 2.1
	7158-3113-40	White	Silicone	2.18 ~ 3.0
	7158-3115-80	Brown	Silicone	1.19 ~ 1.9
	7158-3116-50	Red	Silicone	1.88 ~ 2.4
Unused Cavity Plug	7158-3114-90	Blue	Silicone	N/A

# 2.8 x 0.8

sealed connection system

## Retainer Clip/Bracket Dimensions

UNIT: mm



## Part Number Summary Chart

Part Name	Male	Female
Terminal	7114-4150-02	7116-4150-02
	7114-4151-02	7116-4151-02
	7114-4152-02	7116-4152-02
Cable Seal	7158-3110-40	
	7158-3111-60	
	7158-3112-70	
	7158-3113-40	
	7158-3115-80	
	7158-3116-50	
Unused Cavity Plug	7158-3114-90	
Applicable Clip	N/A	7047-9580 (Ref)

Pole	Polarity	Color Description	Male Part #	Female Part #	Female Part # (w/CPA)
2	A	Dark Grey	7282-5575-10	7283-5575-10	7283-5922-10
3	A	Dark Grey	7282-5576-10	7283-5576-10	7283-5923-10
4	A	Dark Grey	7282-5570-10	7283-5570-10	7283-5924-10
4	B	Black	7282-5571-30	7283-5571-30	7283-5925-30
5	A	Black/Direct Only		7283-5918-30	
6	A	Dark Grey	7282-5577-10	7283-5577-10	7283-5926-10
8	A	Dark Grey	7282-5574-10	7283-5574-10	7283-5927-10

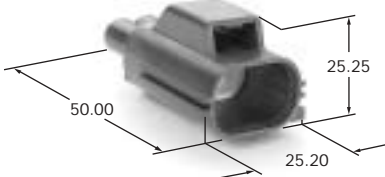

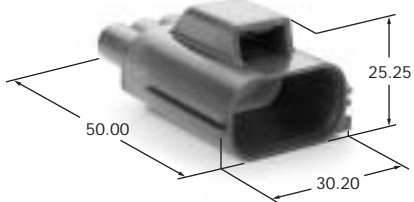

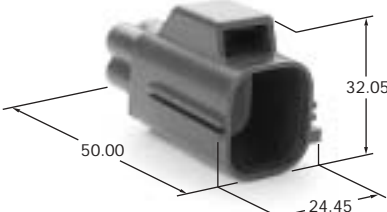

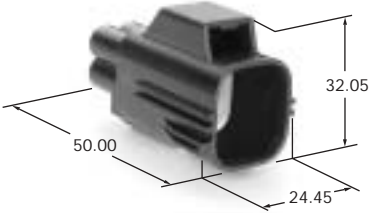


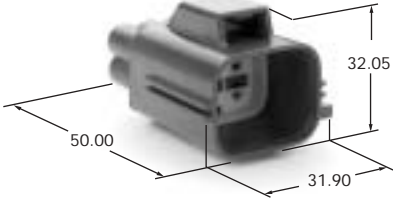

### \*Applicable Terminal Removal Tool/Dimensions

Refer to Page 80 for YESC Terminal Removal Tool.

Order Number: X39899-J374.

Housing Material: HPA

UNIT: mm

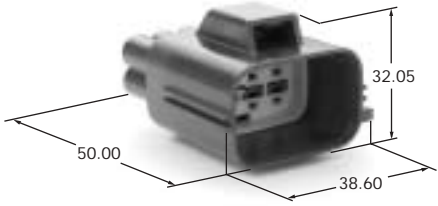

Poles	Male Housing	Female Housing
2	 <p>7282-5575-10</p>	 <p>7283-5575-10</p>
3	 <p>7282-5576-10</p>	 <p>7283-5576-10</p>
4	 <p>7282-5570-10</p>	 <p>7283-5570-10</p>
4	 <p>7282-5571-30</p>	 <p>7283-5571-30</p>
5	<p>N/A</p>	 <p>7283-5918-30</p>
6	 <p>7282-5577-10</p>	 <p>7283-5577-10</p>

# 2.8 x 0.8

sealed connection system

Housing Material: HPA

UNIT: mm

<i>Poles</i>	<i>Male Housing</i>	<i>Female Housing</i>
8	 <p>7282-5574-10</p>	 <p>7283-5574-10</p>



Y E S C

6.3

**SERIES**

*UNSEALED*

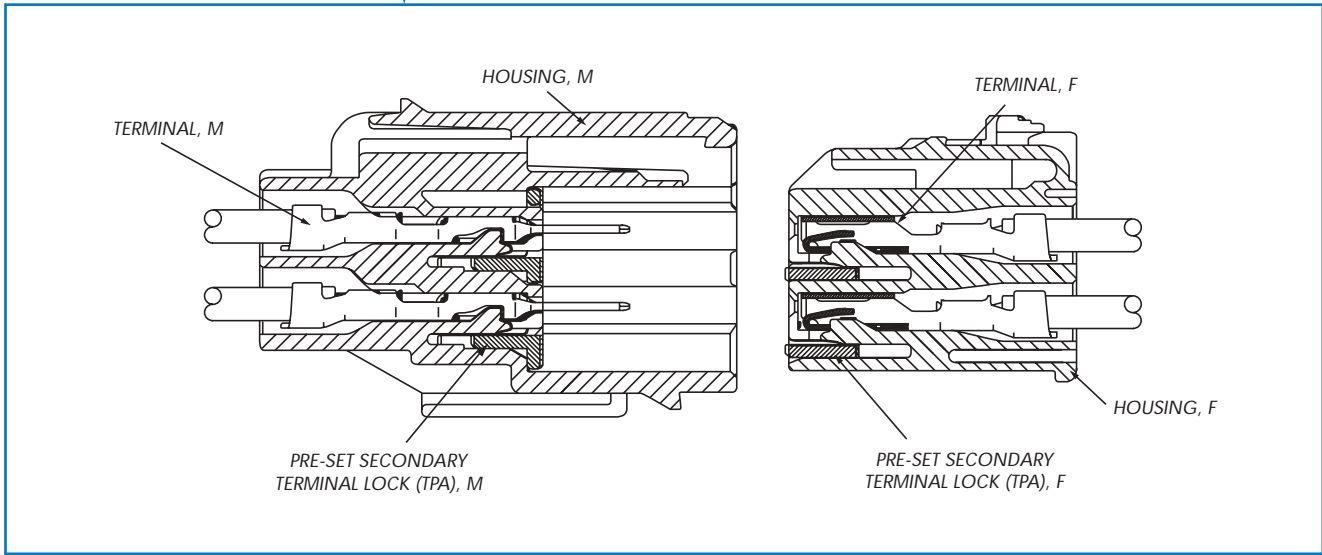
6.3 SERIES  
UNSEALED

YAZAKI ENGINEERING STANDARD CONNECTORS

# 6.3 x 0.8

## unsealed connection system

### Construction

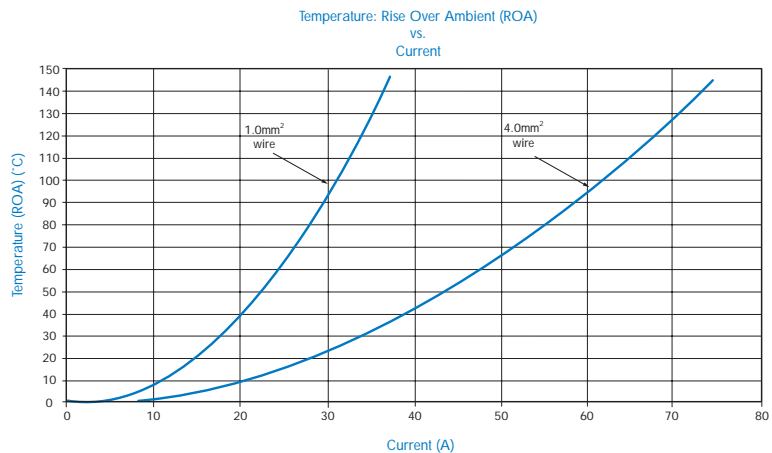


### Specifications

Material	Connector	HPA
	Male Terminal	Copper Alloy (Sn Plate)
	Female Terminal	Copper Alloy (Sn Plate)
Operating Temperature Range		-40°C ~ 125°C (145°C max temp.) (USCAR Class III)
Current Capacity		(See Chart)
Voltage Drop		10mΩ Max (Term./Term.) (Crimp-To-Crimp)
Isolation Resistance		500VDC, 20MΩ Min
Dielectric Resistance		1000VAC (1 min.)
Applicable Wire Size		20AWG ~ 12AWG (0.50mm <sup>2</sup> ~ 4.0mm <sup>2</sup> )
Terminal Pitch		Horizontal: 8.50mm; Vertical: 7.30mm
Terminal-to-Connector Retention Force		90N Min
Connector-to-Connector Retention Force		110N Min

### Current Rating Curve (Reference Only)

This data is based on single circuit/connector evaluation. Data should be used as reference only. Appropriate derating should be considered based upon specific application requirements.



### Terminal

UNIT: mm

**Male Terminal**

Material: Copper Alloy      Thickness: t=0.4

**Female Terminal**

Material: Copper Alloy      Thickness: t=0.4

Description	Part Number	Plating	Applicable Wire Size		
			Europe (mm <sup>2</sup> )	U.S.A. (AWG)	Japan (mm <sup>2</sup> )
Male Terminal	7114-4120-02	Sn	0.5 ~ 1.0	20 ~ 16	0.5 ~ 1.25
	7114-4121-02	Sn	1.5 ~ 2.5	14	2.0
	7114-4122-02	Sn	4.0	12	3.0
Female Terminal	7116-4120-02	Sn	0.5 ~ 1.0	20 ~ 16	0.5 ~ 1.25
	7116-4121-02	Sn	1.5 ~ 2.5	14	2.0
	7116-4122-02	Sn	4.0	12	3.0

### Retainer Clip/Bracket Dimensions

UNIT: mm

Part Number	Panel Hole Requirements
7047-9580 (Ref.)	φ6.5mm

### Part Number Summary Chart

Part Name	Male	Female	Pole	Polarity	Color	Male Part #	Female Part #	Female Part # (w/CPA)
Terminal	7114-4120-02	7116-4120-02	2	A	Light Grey	7282-5590-40	7283-5590-40	7283-5601-40
	7114-4121-02	7116-4121-02	4	A	Light Grey	7282-5594-40	7283-5594-40	7283-5602-40
	7114-4122-02	7116-4122-02	6	A	Light Grey	7282-5604-40	7283-5591-40	7283-5603-40
Applicable Clip	7047-9580 (Ref)	N/A	6	B	Green	N/A	7283-5592-60	

**\*Applicable Terminal Removal Tool/Dimensions**

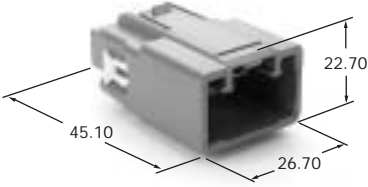

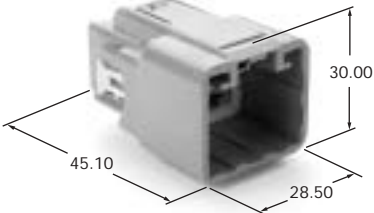
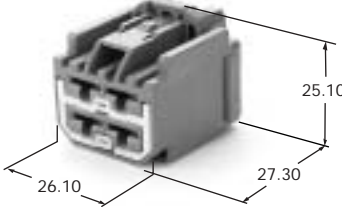
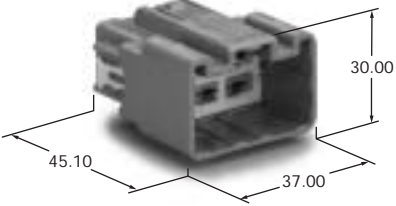
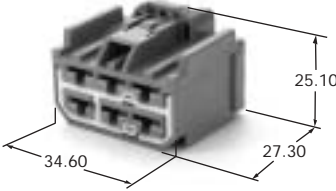
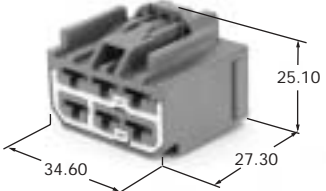
Refer to Page 81 for YESC Terminal Removal Tool.  
Order Number: G0406 (PA Type).

# 6.3 x 0.8

unsealed connection system

Housing Material: HPA

UNIT: mm

Poles	Male Housing	Female Housing
2	 <p data-bbox="505 562 667 592"><b>7282-5590-40</b></p>	 <p data-bbox="1094 562 1256 592"><b>7283-5590-40</b></p>
4	 <p data-bbox="505 835 667 865"><b>7282-5594-40</b></p>	 <p data-bbox="1094 835 1256 865"><b>7283-5594-40</b></p>
6	 <p data-bbox="505 1104 667 1134"><b>7282-5604-40</b></p>	 <p data-bbox="1094 1104 1256 1134"><b>7283-5591-40</b></p>
6	<p data-bbox="565 1255 618 1285"><b>N/A</b></p>	 <p data-bbox="1094 1377 1256 1407"><b>7283-5592-60</b></p>

Y E S C

6.3

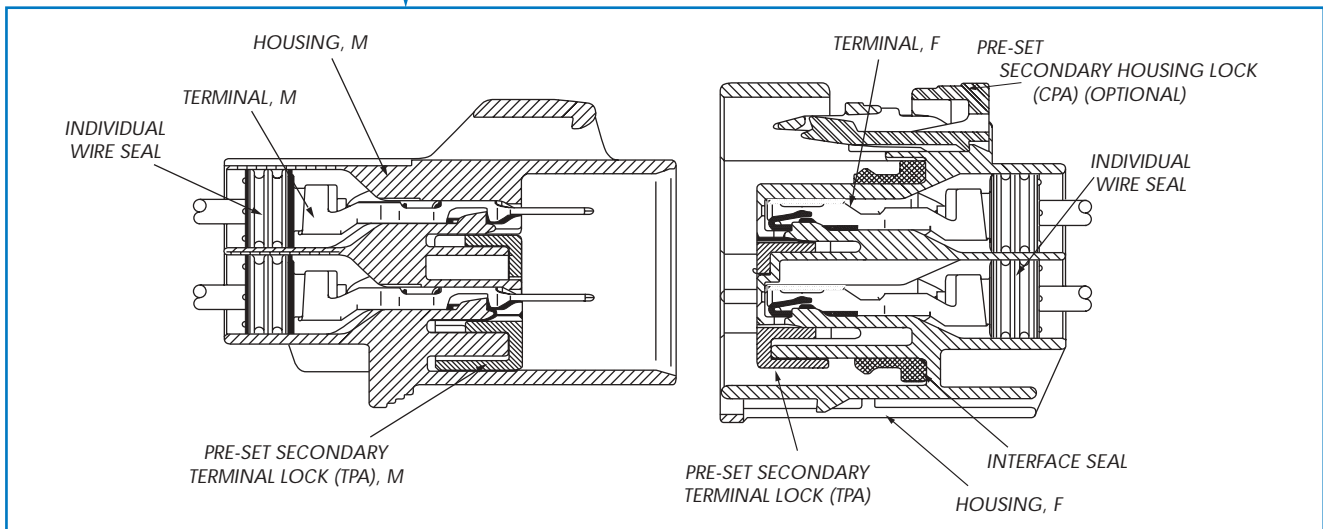
**SERIES**

*SEALED*

6.3 SERIES  
SEALED

YAZAKI ENGINEERING STANDARD CONNECTORS

## Construction

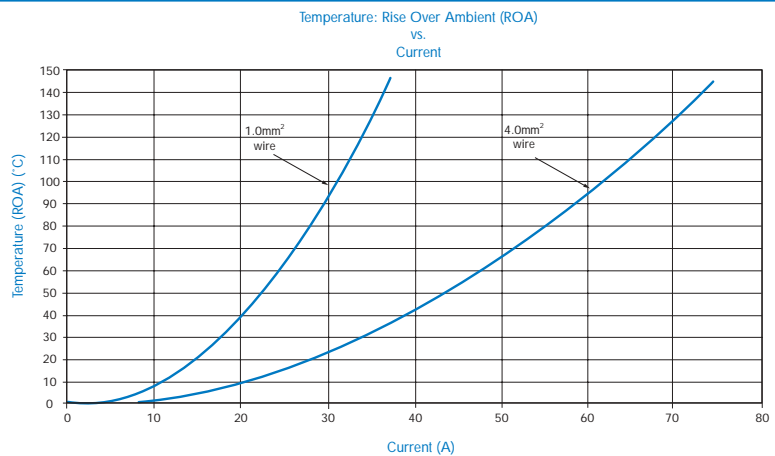


## Specifications

Material	Connector	HPA
	Male Terminal	Copper Alloy (Sn Plate)
	Female Terminal	Copper Alloy (Sn Plate)
Operating Temperature Range		-40° C ~125° C (145° C max temp.) (USCAR Class III)
Current Capacity		(See Chart)
Voltage Drop		10mΩ Max (Term./Term.) (Crimp-To-Crimp)
Isolation Resistance		500VDC, 20MΩ Min
Dielectric Resistance		1000VAC (1 min.)
Applicable Wire Size		20AWG ~ 12AWG (0.50mm <sup>2</sup> ~ 4.0mm <sup>2</sup> )
Terminal Pitch		Horizontal: 9.80mm; Vertical: 9.80mm
Sealing Performance (Air Leak Pressure)		48kPa Min (Pre-Heat Soak); 28kPa (Post-Heat Soak)
Terminal-to-Connector Retention Force		90N Min
Connector-to-Connector Retention Force		110N Min

## Current Rating Curve (Reference Only)

This data is based on single circuit/connector evaluation. Data should be used as reference only. Appropriate derating should be considered based upon specific application requirements.



### Terminal

UNIT: mm

**Male Terminal**

Material: Copper Alloy      Thickness: t=0.4

**Female Terminal**

Material: Copper Alloy      Thickness: t=0.4

Description	Part Number	Plating	Applicable Wire Size		
			Europe (mm <sup>2</sup> )	U.S.A. (AWG)	Japan (mm <sup>2</sup> )
Male Terminal	7114-4140-02	Sn	0.5 ~ 1.0	20 ~ 16	0.5 ~ 1.25
	7114-4141-02	Sn	1.5 ~ 2.5	14	2.0
	7114-4142-02	Sn	4.0	12	3.0
Female Terminal	7116-4140-02	Sn	0.5 ~ 1.0	20 ~ 16	0.5 ~ 1.25
	7116-4141-02	Sn	1.5 ~ 2.5	14	2.0
	7116-4142-02	Sn	4.0	12	3.0

### Cable Seal

UNIT: mm

Description	Part Number	Color	Material	Wire O.D. Range
Cable Seal	7158-3081-50	Red	Silicone	1.4 ~ 2.1
	7158-3082-90	Blue	Silicone	2.18 ~ 3.0
	7158-3083	Black	Silicone	3.1 ~ 3.7
Unused Cavity Plug	7158-3080-60	Green	Silicone	N/A

### Retainer Clip/Bracket Dimensions

UNIT: mm

Part Number	Panel Hole Requirements
7047-9580 (Ref.)	φ6.5mm

## Part Number Summary Chart

Part Name	Male	Female
<i>Terminal</i>	7114-4140-02	7116-4140-02
	7114-4141-02	7116-4141-02
	7114-4142-02	7116-4142-02
<i>Cable Seal</i>	7158-3081-50	
	7158-3082-90	
	7158-3083	
<i>Unused Cavity Plug</i>	7158-3080-60	
<i>Applicable Clip</i>	N/A	7047-9580 (Ref)

Pole	Polarity	Color Description	Male Part #	Female Part #	Female Part # (w/CPA)	Delete Cap
2	A	Dark Grey	7282-5596-10	7283-5596-10	7283-5928-10	7283-6464-10
2	A	Dark Grey				7283-6476-10
4	A	Dark Grey	7282-5595-10	7283-5595-10	7283-5929-10	

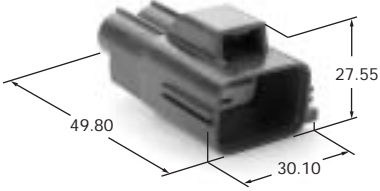
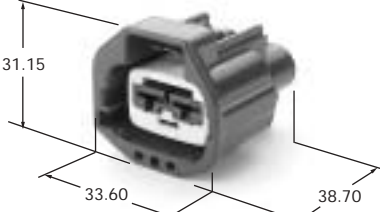
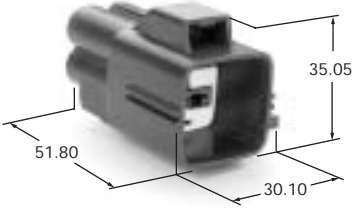
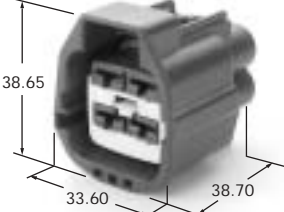
### \*Applicable Terminal Removal Tool/Dimensions

Refer to Page 81 for YESC Terminal Removal Tool.  
Order Number: G0406 (PA Type).



Housing Material: HPA

UNIT: mm

Poles	Male Housing	Female Housing
2	 <p>7282-5596-10</p>	 <p>7283-5596-10</p>
4	 <p>7282-5595-10</p>	 <p>7283-5595-10</p>

# NOTES

---

Y E S C

# Hybrid

## SERIES



HYBRID  
SERIES

YAZAKI ENGINEERING STANDARD CONNECTORS

## Specifications

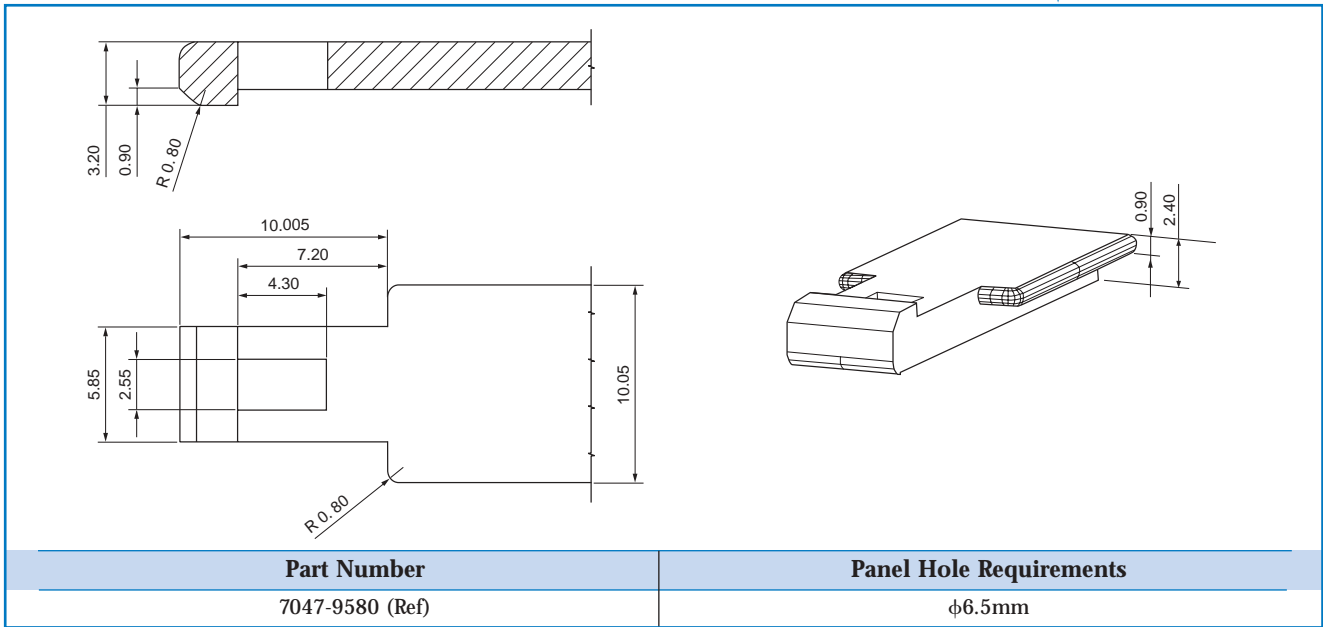
Material	Connector	HPA
	Male Terminal	Copper Alloy (Sn/Au Plate)
	Female Terminal	Copper Alloy (Sn/Au Plate)
Operating Temperature Range		-40°C ~100°C (120°C max temp.) (USCAR Class II)
Operating Temperature Range		-40°C ~125°C (145°C max temp.) (USCAR Class III)
Current Capacity		(See Chart)
Voltage Drop		10mΩ Max (Term./Term.) (Crimp-To-Crimp)
Isolation Resistance		500VDC, 20MΩ Min
Dielectric Resistance		1000VAC (1 min.)
Applicable Wire Size		See Specific Connector Section
Terminal-to-Connector Retention Force		See Specific Connector Section
Connector-to-Connector Retention Force		See Specific Connector Section

## Terminal

Description	Part Number	Plating	Applicable Wire Size			
			Europe (mm <sup>2</sup> )	U.S.A. (AWG)	Japan (mm <sup>2</sup> )	
Male Terminal	0.64mm	7114-4720-02/-08	0.35	22	0.3	
		7114-4721-02/-08	0.5 ~ 0.75	20 ~ 18	0.5 ~ 0.8	
	1.5mm	7114-4100-02/-08	0.35 ~ 0.5	22 ~ 20	0.3 ~ 0.5	
		7114-4101-02/-08	0.75 ~ 1.0	18 ~ 16	0.85 ~ 1.25	
	2.8mm	7114-4110-02	Sn	0.35 ~ 0.5	22 ~ 20	0.3 ~ 0.5
		7114-4111-02	Sn	0.75 ~ 1.0	18 ~ 16	0.85 ~ 1.25
		7114-4112-02	Sn	1.5 ~ 2.5	14	2.0
	6.3mm	7114-4120-02	Sn	0.5 ~ 1.0	20 ~ 16	0.5 ~ 1.25
		7114-4121-02	Sn	1.5 ~ 2.5	14	2.0
		7114-4122-02	Sn	4.0	12	3.0
	Female Terminal	0.64mm	7116-4720-02/-08	0.35	22	0.3
			7116-4721-02/-08	0.5 ~ 0.75	20 ~ 18	0.5 ~ 0.8
1.5mm		7116-4100-02/-08	Sn/Au	0.35 ~ 0.5	22 ~ 20	0.3 ~ 0.5
		7116-4101-02/-08	Sn/Au	0.75 ~ 1.0	18 ~ 16	0.85 ~ 1.25
2.8mm		7116-4110-02	Sn	0.35 ~ 0.5	22 ~ 20	0.3 ~ 0.5
		7116-4111-02	Sn	0.75 ~ 1.0	18 ~ 16	0.85 ~ 1.25
		7116-4112-02	Sn	1.5 ~ 2.5	14	2.0
6.3mm		7116-4120-02	Sn	0.5 ~ 1.0	20 ~ 16	0.5 ~ 1.25
		7116-4121-02	Sn	1.5 ~ 2.5	14	2.0
		7116-4122-02	Sn	4.0	12	3.0

### Retainer Clip/Bracket Dimensions

UNIT: mm



### Part Number Summary Chart

Part Name	Male	Female
Terminal	7114-4720-02/-08	7116-4720-02/-08
	7114-4721-02/-08	7116-4721-02/-08
Terminal	7114-4100-02/-08	7116-4100-02/-08
	7114-4101-02/-08	7116-4101-02/-08
Terminal	7114-4110-02	7116-4110-02
	7114-4111-02	7116-4111-02
	7114-4112-02	7116-4112-02
Terminal	7114-4120-02	7116-4120-02
	7114-4121-02	7116-4121-02
	7114-4122-02	7116-4122-02
Applicable Clip	7047-9580 (Ref)	N/A

## Part Number Summary Chart (cont.)

Pole	Polarity	Color/Description	Male Part #	Female Part #	Female Part # w/(CPA)
3	A	Light Grey 1x1.5, 2x6.3	7282-5628-40	7283-5628-40	
8	A	Light Grey 6x1.5, 2x2.8	7282-5620-40	7283-5620-40	
10	A	Light Grey 6x1.5, 4x2.8	7282-5621-40	7283-5621-40	7283-5637-40
10	A	Natural 6x1.5, 4x2.8	7282-5621	7283-5621	
13	A	Light Grey 11x2.8, 2x6.3	7282-5625-40	7283-5625-40	7283-5643-40
14	A	Light Grey 10x1.5, 4x2.8	7282-5622-40	7283-5622-40	7283-5639-40
14	B	Green 10x1.5, 4x2.8	7282-5623-60	7283-5623-60	
14	B	Black 10x1.5, 4x2.8	7282-5623-30	7283-5623-30	
14	C	Blue 10x1.5, 4x2.8	7282-5624-90	7283-5624-90	
14	C	Brown 10x1.5, 4x2.8	7282-5624-80	7283-5624-80	

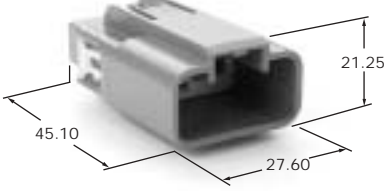
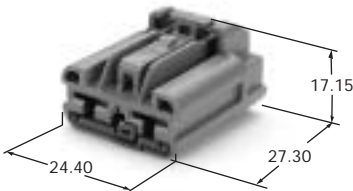
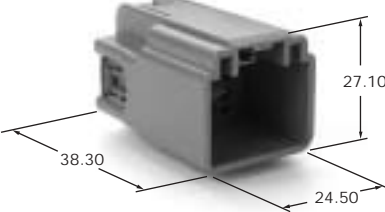
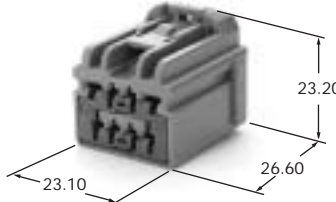
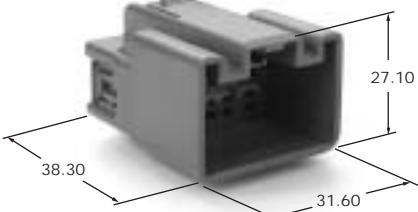
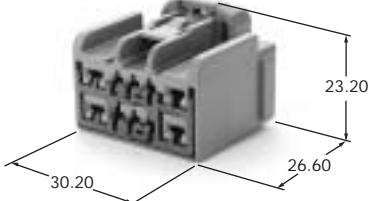
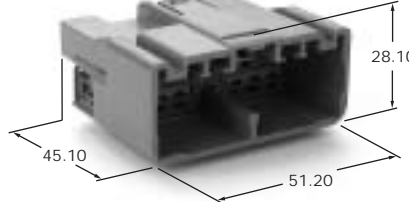
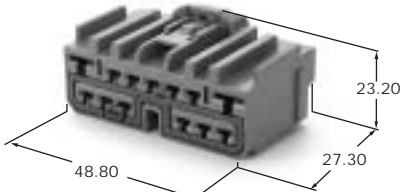
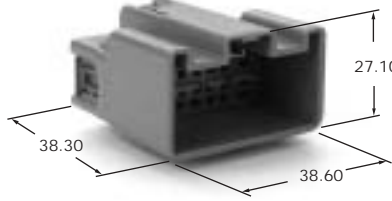
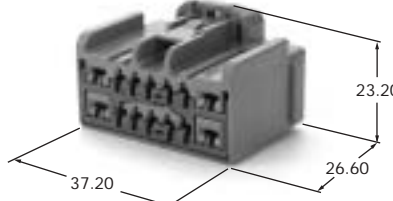
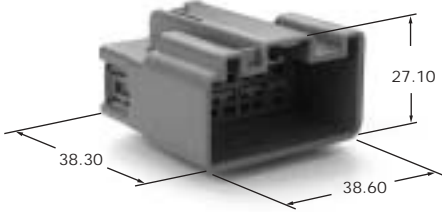
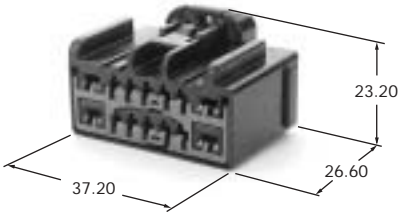
### \*Applicable Terminal Removal Tool/Dimensions

Refer to Page 80-81 for YESC Terminal Removal Tool.

Order Number: 49YA00105 (for 0.64 terminal), X39899-J374 (for 1.5 and 2.8 terminal) and G0406 (PA Type) (for 6.3 terminal).

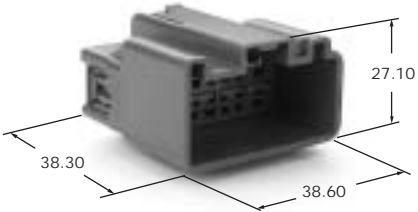
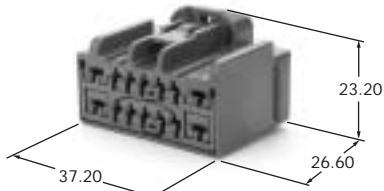
Housing Material: HPA

UNIT: mm

Poles	Male Housing	Female Housing
3	 <p><b>7282-5628-40</b></p>	 <p><b>7283-5628-40</b></p>
8	 <p><b>7282-5620-40</b></p>	 <p><b>7283-5620-40</b></p>
10	 <p><b>7282-5621-40</b></p>	 <p><b>7283-5621-40</b></p>
13	 <p><b>7282-5625-40</b></p>	 <p><b>7283-5625-40</b></p>
14	 <p><b>7282-5622-40</b></p>	 <p><b>7283-5622-40</b></p>
14	 <p><b>7282-5623-60</b></p>	 <p><b>7283-5623-60</b></p>

Housing Material: HPA

UNIT: mm

Poles	Male Housing	Female Housing
14	 <p data-bbox="495 556 657 588"><b>7282-5624-90</b></p>	 <p data-bbox="1079 556 1242 588"><b>7283-5624-90</b></p>



Y E S C

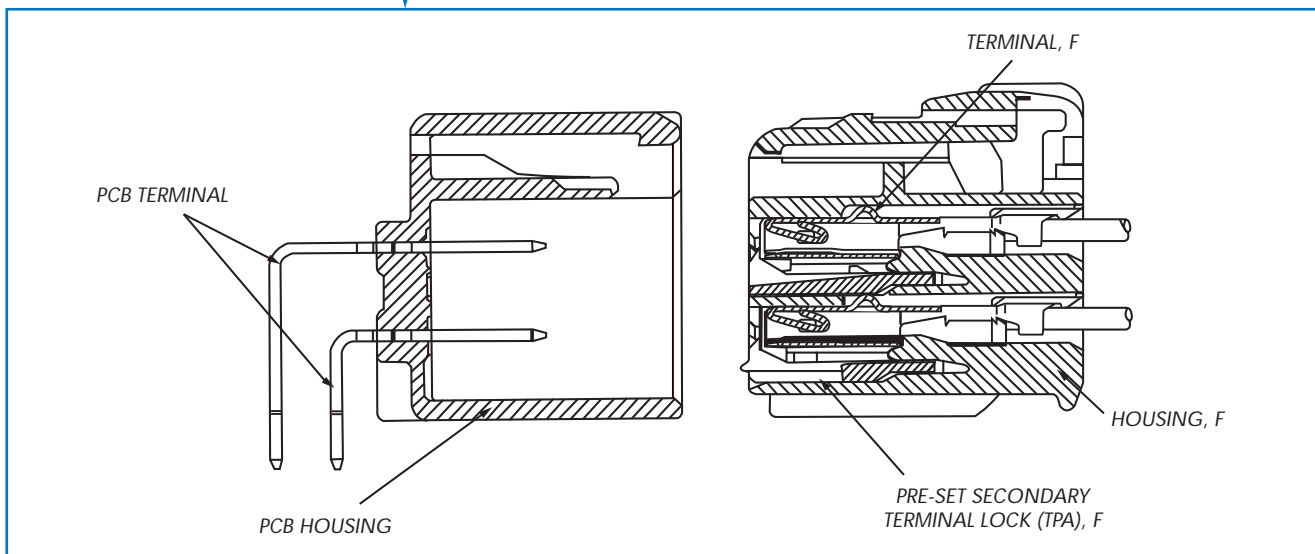
# Header SERIES



HEADER  
SERIES

YAZAKI ENGINEERING STANDARD CONNECTORS

## Construction



## Specifications

Material	Connector	See Section
	Male Terminal	Brass
	Female Terminal	Copper Alloy (Sn/Au Plate)
Operating Temperature Range		-40° C ~100° C (125° C max temp.) (USCAR Class II)
Current Capacity		(See Chart)
Voltage Drop		10mΩ Max (Term./Term.)
Isolation Resistance		500VDC, 20MΩ Min
Dielectric Resistance		1000VAC (1 min.)
Terminal-to-Connector Retention Force		90N Min
Connector-to-Connector Retention Force		110N Min

## Current Rating Curve

SEE APPLICABLE BLADE SIZE SECTION

## Terminal

UNIT: mm

<i>Male PCB Terminal</i>			<i>Female Terminal</i>			
PURCHASED IN ASSEMBLY			SEE APPLICABLE BLADE SIZE SECTION			
<i>Material: Brass</i>			<i>Material: Copper Alloy</i>		<i>Thickness: t=0.3</i>	
Description	Part Number	Plating	Applicable Wire Size			
			Europe (mm <sup>2</sup> )	U.S.A. (AWG)	Japan (mm <sup>2</sup> )	
<i>Male Terminal</i>	N/A					
<i>Female Terminal</i>	1.5mm	7116-4100-02	Sn	0.35 ~ 0.5	22 ~ 20	0.3 ~ 0.5
		7116-4101-02	Sn	0.75 ~ 1.0	18 ~ 16	0.85 ~ 1.25
		7116-4100-08	Au	0.35 ~ 0.5	22 ~ 20	0.3 ~ 0.5
		7116-4101-08	Au	0.75 ~ 1.0	18 ~ 16	0.85 ~ 1.25
	2.8mm	7116-4110-02	Sn	0.35 ~ 0.5	22 ~ 20	0.3 ~ 0.5
		7116-4111-02	Sn	0.75 ~ 1.0	18 ~ 16	0.85 ~ 1.25
		7116-4112-02	Sn	1.5 ~ 2.5	14	2.0
	6.3mm	7116-4120-02	Sn	0.5 ~ 1.0	20 ~ 16	0.5 ~ 1.25
		7116-4121-02	Sn	1.5 ~ 2.5	14	2.0
		7116-4122-02	Sn	4.0	12	3.0

## Part Number Summary Chart

Part Name		Male	Female
Terminal	1.5mm	N/A	7116-4100-02
		N/A	7116-4101-02
		N/A	7116-4100-08
		N/A	7116-4101-08
	2.8mm	N/A	7116-4110-02
		N/A	7116-4111-02
		N/A	7116-4112-02
	6.3mm	N/A	7116-4120-02
		N/A	7116-4121-02
		N/A	7116-4122-02

Pole	Polarity	Color/Description	Male Part #	Female Part #	Female Part # w/(CPA)
10	A	Light Grey 1.5mm Header	7382-5884-40	7283-5533-40	7283-5909-40
10	B	Black 1.5mm Header	7382-6379-30	7283-5533-40	7283-5909-40
12	A	Black 1.5mm Header	7382-5957-30	7283-5540-40	7283-5940-40
16	A	Green/Config 1 1.5mm Header	7382-5551-60	7283-5534-60	7283-5941-60
16	A	Green/Config 2 1.5mm Header	7382-5681-60	7283-5534-61	
16	A	Green/Config 3 1.5mm Header	7382-5682-60	7283-5534-62	
32	A	Black 1.5mm Header	7382-5552-30	7283-5535-90 7283-5536-40	
32	B	Light Grey 1.5mm Header	7382-5881-40	7283-5535-90 7283-5536-40	
12	A	Light Grey 2.8mm H-Header	7382-5568-40	7283-5567-40	7283-5916-40
2	A	Black 6.3mm Header	7382-5608-30	7283-5590-40	7283-5601-40
2	A	Light Grey 6.3mm Header	7382-5597-40	7283-5590-40	7283-5601-40
14	A	Light Grey Hybrid 10x1.5, 4x2.8	7382-5627-40	7283-5622-40	7283-5639-40

### \*Applicable Terminal Removal Tool/Dimensions

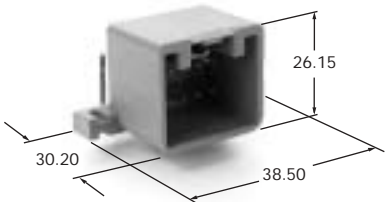
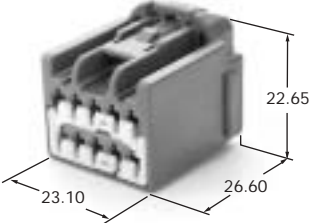

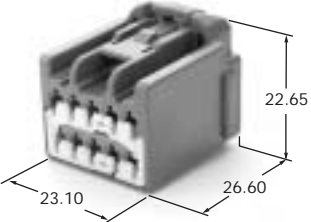
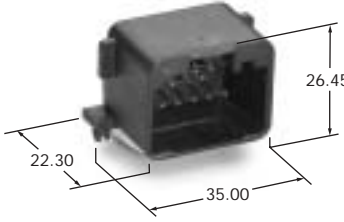
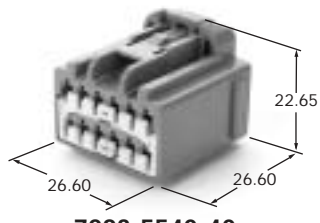
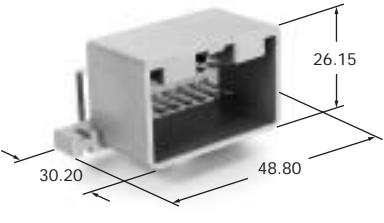

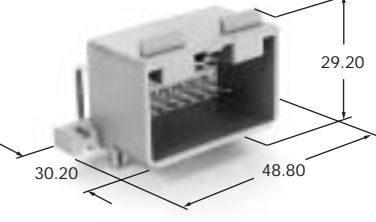

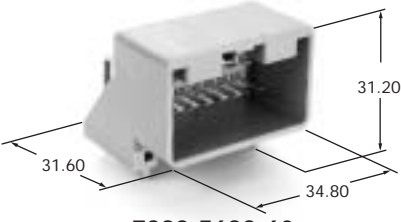
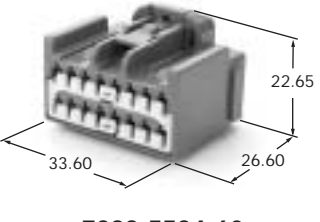
Refer to Page 80-81 for YESC Terminal Removal Tool.

Order Number: X39899-J374 (for 1.5 and 2.8 terminal) and G0406 (PA Type) (for 6.3 terminal).

Housing Material: PPA-GF16

Material: HPA

UNIT: mm

Poles	Male Housing	Female Housing
10	 <p>7382-5884-40</p>	 <p>7283-5533-40</p>
10	 <p>7382-6379-30</p>	 <p>7283-5533-40</p>
12	 <p>7382-5957-30</p>	 <p>7283-5540-40</p>
16	 <p>7382-5551-60</p>	 <p>7283-5534-60</p>
16	 <p>7382-5681-60</p>	 <p>7283-5534-60</p>
16	 <p>7382-5682-60</p>	 <p>7283-5534-60</p>

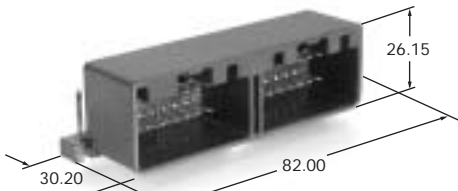
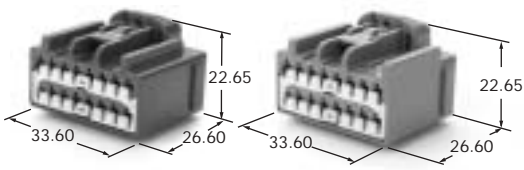
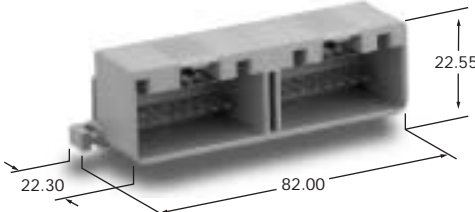
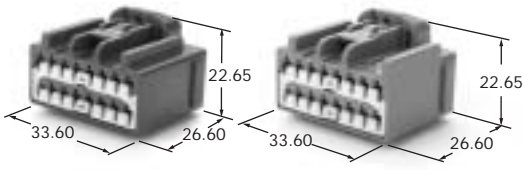
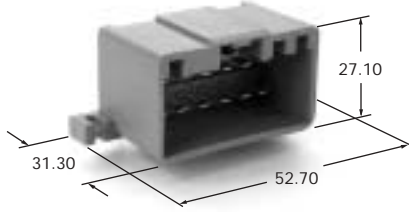
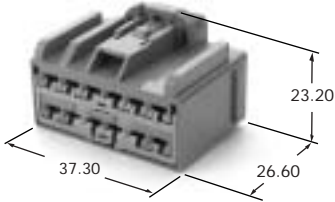
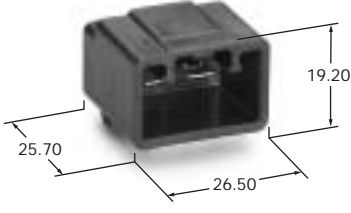
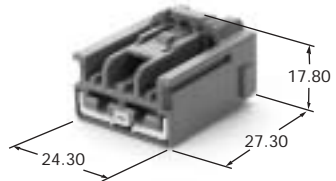
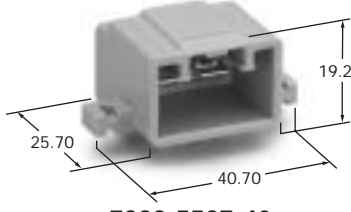
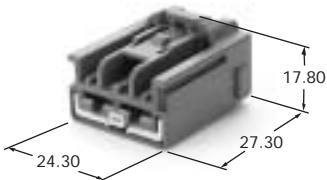
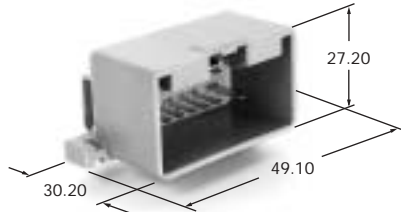
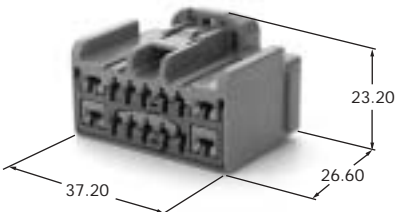
# HEADER

connection system

Housing Material: PPA-GF16

Material: HPA

UNIT: mm

Poles	Male Housing	Female Housing
32	 <p>7382-5552-30</p>	 <p>7283-5535-90 (16P)    7283-5536-40 (16P)</p>
32	 <p>7382-5581-4U</p>	 <p>7283-5535-90 (16P)    7283-5536-40 (16P)</p>
12	 <p>7382-5568-40</p>	 <p>7283-5567-40</p>
2	 <p>7382-5608-30</p>	 <p>7283-5590-40</p>
2	 <p>7382-5597-40</p>	 <p>7283-5590-40</p>
14	 <p>7382-5627-40</p>	 <p>7283-5622-40</p>

Y E S C

# Specialty

## SERIES

UNSEALED



SPECIALTY  
SERIES  
UNSEALED

YAZAKI ENGINEERING STANDARD CONNECTORS

### Specifications

Material	Connector	HPA
	Male Terminal	Copper Alloy (Sn/Au Plate)
	Female Terminal	Copper Alloy (Sn/Au Plate)
Operating Temperature Range		-40°C ~100°C (120°C max temp.) (USCAR Class II)
Operating Temperature Range		-40°C ~125°C (145°C max temp.) (USCAR Class III)
Current Capacity		(See Chart)
Voltage Drop		10mΩ Max (Term./Term.) (Crimp-To-Crimp)
Isolation Resistance		500VDC, 20MΩ Min
Dielectric Resistance		1000VAC (1 min.)
Applicable Wire Size		See Specific Connector Section
Terminal-to-Connector Retention Force		See Specific Connector Section
Connector-to-Connector Retention Force		See Specific Connector Section

### Terminal

Description	Part Number	Plating	Applicable Wire Size		
			Europe (mm <sup>2</sup> )	U.S.A. (AWG)	Japan (mm <sup>2</sup> )
Male Terminal	0.64mm	7114-4720-02/-08	0.35	22	0.3
		7114-4721-02/-08	0.5 ~ 0.75	20 ~ 18	0.5 ~ 0.8
	1.5mm	7114-4100-02/-08	0.35 ~ 0.5	22 ~ 20	0.3 ~ 0.5
		7114-4101-02/-08	0.75 ~ 1.0	18 ~ 16	0.85 ~ 1.25
	2.8mm	7114-4110-02	0.35 ~ 0.5	22 ~ 20	0.3 ~ 0.5
		7114-4111-02	0.75 ~ 1.0	18 ~ 16	0.85 ~ 1.25
		7114-4112-02	1.5 ~ 2.5	14	2.0
	6.3mm	7114-4120-02	0.5 ~ 1.0	20 ~ 16	0.5 ~ 1.25
		7114-4121-02	1.5 ~ 2.5	14	2.0
		7114-4122-02	4.0	12	3.0
Female Terminal	0.64mm	7116-4720-02/-08	0.35	22	0.3
		7116-4721-02/-08	0.5 ~ 0.75	20 ~ 18	0.5 ~ 0.8
	1.5mm	7116-4100-02/-08	0.35 ~ 0.5	22 ~ 20	0.3 ~ 0.5
		7116-4101-02/-08	0.75 ~ 1.0	18 ~ 16	0.85 ~ 1.25
	2.8mm	7116-4110-02	0.35 ~ 0.5	22 ~ 20	0.3 ~ 0.5
		7116-4111-02	0.75 ~ 1.0	18 ~ 16	0.85 ~ 1.25
		7116-4112-02	1.5 ~ 2.5	14	2.0
	6.3mm	7116-4120-02	0.5 ~ 1.0	20 ~ 16	0.5 ~ 1.25
		7116-4121-02	1.5 ~ 2.5	14	2.0
		7116-4122-02	4.0	12	3.0



## Part Number Summary Chart

Part Name		Male	Female	
Terminal	0.64mm	7114-4720-02/-08	7116-4720-02/-08	
		7114-4721-02/-08	7116-4721-02/-08	
	1.5mm	7114-4100-02/-08	7116-4100-02/-08	
		7114-4101-02/-08	7116-4101-02/-08	
	2.8mm	7114-4110-02	7116-4110-02	
		7114-4111-02	7116-4111-02	
		7114-4112-02	7116-4112-02	
	6.3mm	7114-4120-02	7116-4120-02	
		7114-4121-02	7116-4121-02	
		7114-4122-02	7116-4122-02	
	Applicable Clip		7047-9580 (Ref)	N/A

Specialty	Pole	Polarity	Color/Description	Male Part #	Female Part #	Wire Shield
<i>Axial Adjustable</i>	12	A	Black 12x1.5	7282-4848-30	7283-4848-30	
<i>Bolt Assist</i>	26	A	Black 20x2.8, 6x6.3/HPA		7283-5631-30	
	26	B	Light Grey 20x2.8, 6x6.3/HPA		7283-5632-40	
	36	A	Black 20x1.5, 12x2.8, 4x6.3/PBT		7283-4846-30	7134-4691
	68	A	Black 56x1.5, 8x2.8, 4x6.3/PBT		7283-4847-30	7134-4692
	15	A	Black 9x2.8, 6x6.3		7283-6372-30	
<i>LIF</i>	15	B	Natural 9x2.8, 6x6.3		7283-6373	
	26	A	Light Grey 22x1.5, 2x2.8, 2x6.3		7283-6436-40	
	26	B	Blue 22x1.5, 2x2.8, 2x6.3		7283-6437-90	
	26	C	Green 22x1.5, 2x2.8, 2x6.3		7283-6438-60	
	26	D	Black 22x1.5, 2x2.8, 2x6.3	7282-6376-30	7283-6376-30	

### \*Applicable Terminal Removal Tool/Dimensions

Refer to Page 80-81 for YESC Terminal Removal Tool.

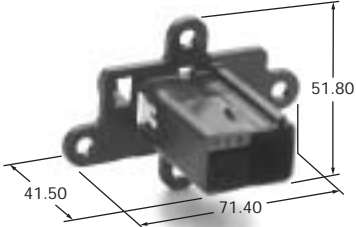
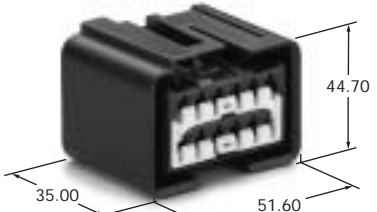
Order Number: 49YA00105 (for 0.64 terminal), X39899-J374 (for 1.5 and 2.8 terminal) and G0406 (PA Type) (for 6.3 terminal).

# SPECIALTY SERIES

unsealed connection system

**Axial Adjustable**  
**Housing Material: PBT**

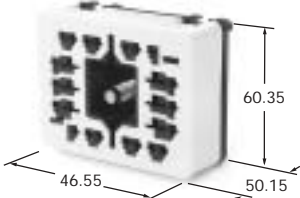
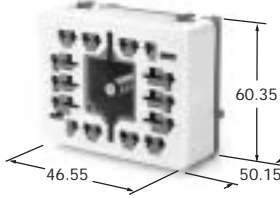
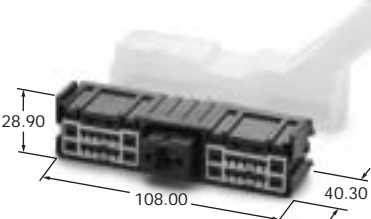
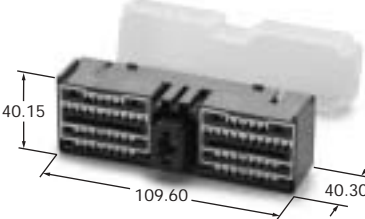
UNIT: mm

Poles	Male Housing	Female Housing
12	 <p data-bbox="500 604 669 634">7282-4848-30</p>	 <p data-bbox="1091 604 1260 634">7283-4848-30</p>

## Bolt Assist

Housing Material: HPA/PBT

UNIT: mm

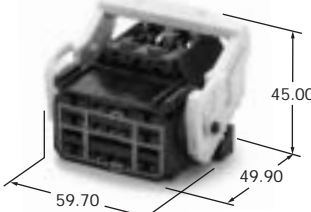
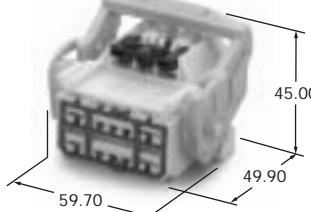
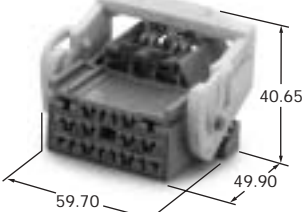
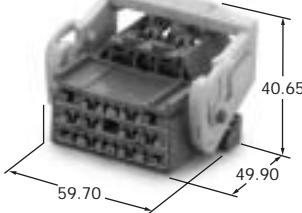
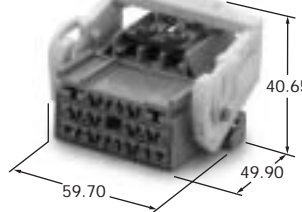
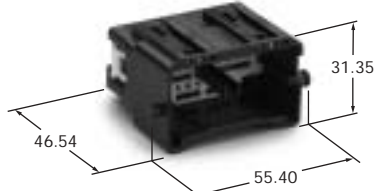
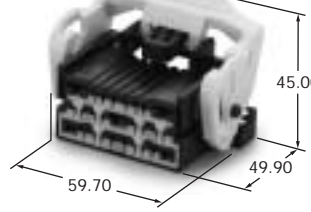
Poles	Male Housing	Female Housing
26	N/A	 <p data-bbox="1114 604 1279 632"><b>7283-5631-30</b></p>
26	N/A	 <p data-bbox="1114 877 1279 905"><b>7283-5632-40</b></p>
36	N/A	 <p data-bbox="1114 1150 1279 1178"><b>7283-4846-30</b></p>
68	N/A	 <p data-bbox="1114 1423 1279 1451"><b>7283-4847-30</b></p>

# SPECIALTY SERIES

unsealed connection system

LIF  
Housing Material: PBT

UNIT: mm

Poles	Male Housing	Female Housing
15	N/A	 <p>7283-6372-30</p>
15	N/A	 <p>7283-6373</p>
26	N/A	 <p>7283-6436-40</p>
26	N/A	 <p>7283-6437-90</p>
26	N/A	 <p>7283-6438-60</p>
26	 <p>7282-6376-30</p>	 <p>7283-6376-30</p>

Y E S C

# Specialty

## SERIES

SEALED



SPECIALTY  
SERIES  
SEALED

YAZAKI ENGINEERING STANDARD CONNECTORS

## Specifications

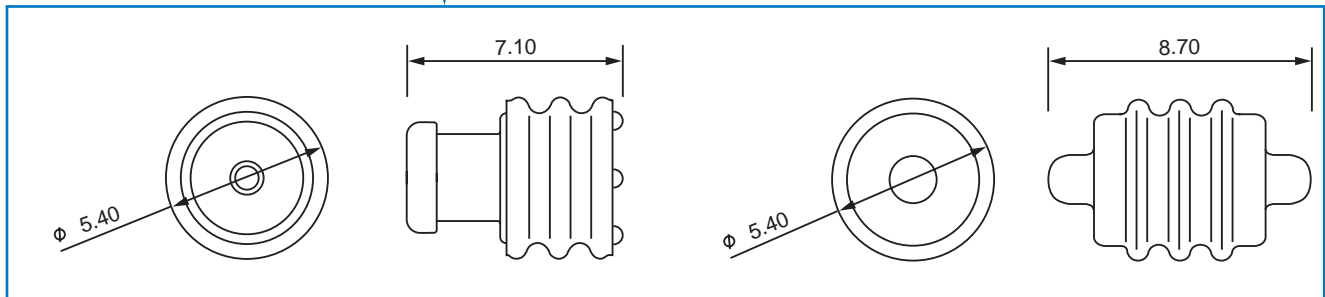
Material	Connector	See Section
	Male Terminal	Copper Alloy (Sn Plate)
	Female Terminal	Copper Alloy (Sn Plate)
Operating Temperature Range		-40° C ~125° C (145° C max temp.) (USCAR Class III)
Isolation Resistance		500VDC, 20MΩ Min
Dielectric Resistance		1000VAC (1 min.)
Applicable Wire Size		22AWG ~ 16AWG (0.35mm <sup>2</sup> ~ 1.0mm <sup>2</sup> )
Terminal Pitch		Horizontal: 5.50mm; Vertical: N/A
Sealing Performance (Air Leak Pressure)		48kPa Min (Pre-Heat Soak); 28kPa (Post-Heat Soak)
Terminal-to-Connector Retention Force		90N Min
Connector-to-Connector Retention Force		110N Min

## Terminal

Description	Part Number	Plating	Applicable Wire Size			
			Europe (mm <sup>2</sup> )	U.S.A. (AWG)	Japan (mm <sup>2</sup> )	
Male Terminal	0.64mm	7114-4720-02/-08	0.35	22	0.3	
		7114-4721-02/-08	0.5 ~ 0.75	20 ~ 18	0.5 ~ 0.85	
	1.5mm	7114-4102-02/-08	0.35 ~ 0.5	22 ~ 20	0.3 ~ 0.5	
		7114-4103-02/-08	0.75 ~ 1.0	18 ~ 16	0.85 ~ 1.25	
	2.8mm	7114-4150-02	Sn	0.35 ~ 0.5	22 ~ 20	0.3 ~ 0.5
		7114-4151-02	Sn	0.75 ~ 1.0	18 ~ 16	0.85 ~ 1.25
		7114-4152-02	Sn	1.5 ~ 2.5	14	2
	6.3mm	7114-4140-02	Sn	0.5 ~ 1.0	20 ~ 16	0.5 ~ 1.25
		7114-4141-02	Sn	1.5 ~ 2.5	14	2.0
		7114-4142-02	Sn	4.0	12	3.0
	Female Terminal	0.64mm	7116-4720-02/-08	0.35	22	0.3
			7116-4721-02/-08	0.5 ~ 0.75	20 ~ 18	0.5 ~ 0.85
1.5mm		7116-4102-02/-08	Sn/Au	0.35 ~ 0.5	22 ~ 20	0.3 ~ 0.5
		7116-4103-02/-08	Sn/Au	0.75 ~ 1.0	18 ~ 16	0.85 ~ 1.25
2.8mm		7116-4150-02	Sn	0.35 ~ 0.5	22 ~ 20	0.3 ~ 0.5
		7116-4151-02	Sn	0.75 ~ 1.0	18 ~ 16	0.85 ~ 1.25
		7116-4152-02	Sn	1.5 ~ 2.5	14	2.0
6.3mm		7116-4140-02	Sn	0.5 ~ 1.0	20 ~ 16	0.5 ~ 1.25
		7116-4141-02	Sn	1.5 ~ 2.5	14	2.0
		7116-4142-02	Sn	4.0	12	3.0

## Lamp Socket Cable Seal

UNIT: mm



Description	Part Number	Color	Material	Wire O.D. Range
Cable Seal (Female Only)	7158-3030-50	Red	Silicone	1.19 ~ 1.70
	7158-3031-90	Blue	Silicone	1.60 ~ 2.34
Unused Cavity Plug	7158-3032-60	Green	Silicone	N/A

# SPECIALTY SERIES

sealed connection system

## Part Number Summary Chart

Part Name		Male	Female
Terminal	0.64mm	7114-4720-02/-08	7116-4720-02/-08
		7114-4721-02/-08	7116-4721-02/-08
	1.5mm	7114-4102-02/-08	7116-4102-02/-08
		7114-4103-02/-08	7116-4103-02/-08
	2.8mm	7114-4150-02	7116-4150-02
		7114-4151-02	7116-4151-02
		7114-4152-02	7116-4152-02
	6.3mm	7114-4140-02	7116-4140-02
		7114-4141-02	7116-4141-02
		7114-4142-02	7116-4142-02
Cable Seal	Lamp Socket	7158-3030-50	
	Lamp Socket	7158-3031-90	
Unused Cavity Plug	Lamp Socket	7158-3032-60	

Specialty	Pole	Polarity	Color/Description	Male Part #	Female Part #
CAM Lever	30		Black #7, #9-11, #17-19 & #26-28 Pin Neg.	N/A	7283-5635-30
	30		Black	N/A	7283-5810-30
	30		Black	N/A	7283-5875-30
Lamp Socket	2	A	Axial 1.5mm	7341-5270-40	7283-5689-30
	2	A	Right Angle 1.5mm	7341-5271-40	7283-5689-30
	2	A	Axial 1.5mm	7341-5272-40	7283-5689-30
Fuel Injector	2		Black 1.5mm/PBT	N/A	7283-5967-30
	2		Black 1.5mm/HPA	N/A	7283-6430-30
	2		Black 1.5mm/HPA	N/A	7283-6647-30
	2		Black 1.5mm/PBT	N/A	7283-8492-30

### \*Applicable Terminal Removal Tool/Dimensions

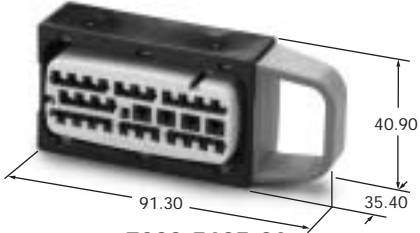
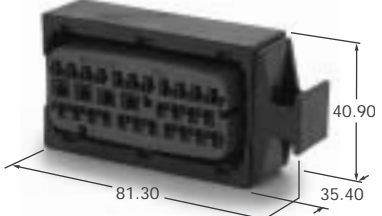

Refer to Page 80-81 for YESC Terminal Removal Tool.

Order Number: 49YA00105 (for 0.64 terminal), X39899-J374 (for 1.5 and 2.8 terminal) and G0406 (PA Type) (for 6.3 terminal).



**CAM Lever**  
**Housing Material: HPA**

UNIT: mm

Poles	Male Housing	Female Housing
30	N/A	 <p>7283-5635-30</p>
30	N/A	 <p>7283-5810-30</p>
30	N/A	 <p>7283-5875-30</p>


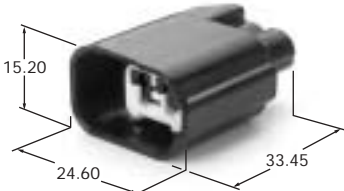
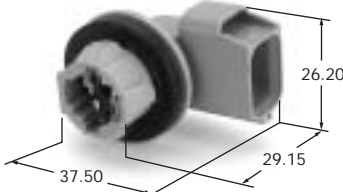
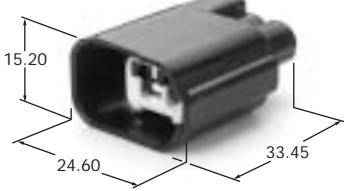
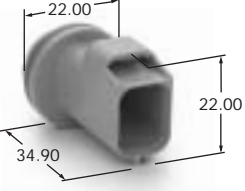
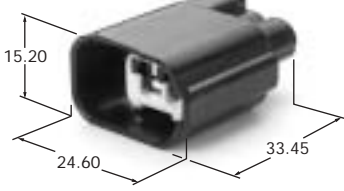
# SPECIALTY SERIES

sealed connection system

Lamp Socket Housing Material: **Nylon PA66**

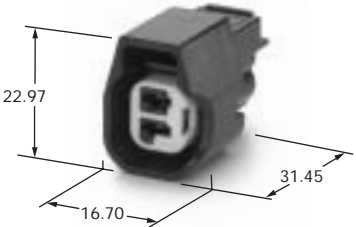
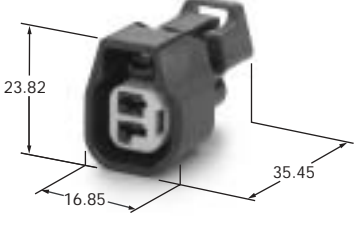


Material: **HPA**

UNIT: mm

Poles	Male Housing	Female Housing
2	 <p>7341-5270-40</p>	 <p>7283-5689-30</p>
2	 <p>7341-5271-40</p>	 <p>7283-5689-30</p>
2	 <p>7341-5272-40</p>	 <p>7283-5689-30</p>

**Fuel Injector Housing Material: PBT/HPA**

UNIT: mm

Poles	Male Housing	Female Housing
2	N/A	 <p><b>7283-5967-30</b></p>
2	N/A	 <p><b>7283-6430-30</b></p>
2	N/A	 <p><b>7283-6647-30</b></p>
2	N/A	 <p><b>7283-8492-30</b></p>

# NOTES

---

Y E S C

# *Terminal* REMOVAL



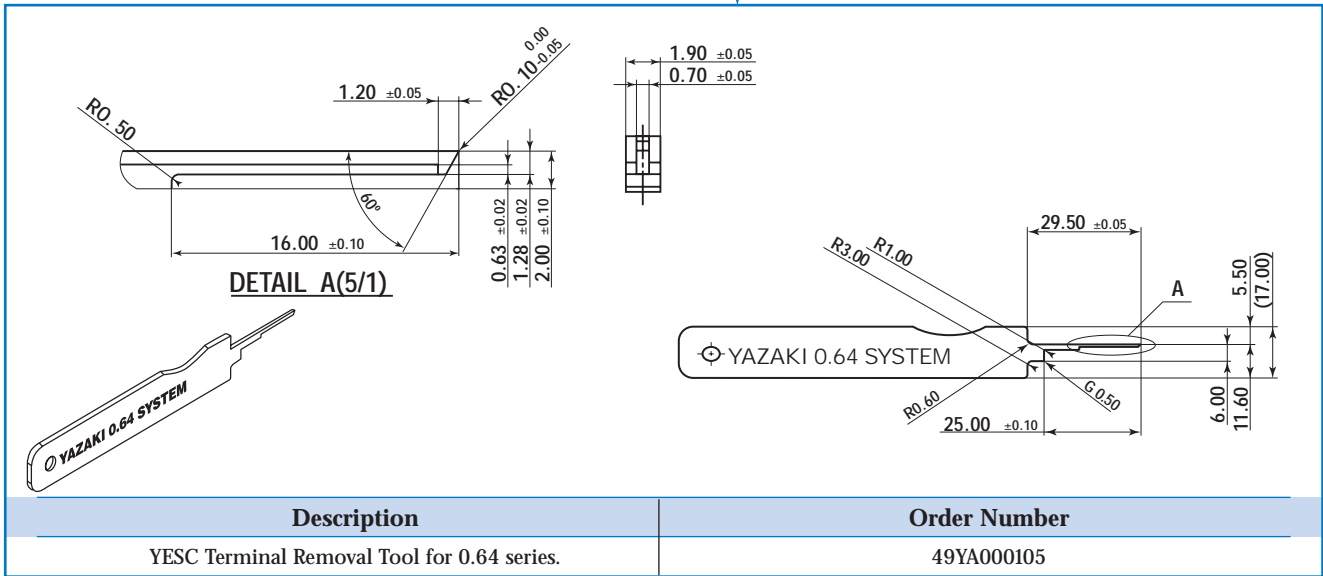
TERMINAL  
REMOVAL

YAZAKI ENGINEERING STANDARD CONNECTORS

# TERMINAL REMOVAL

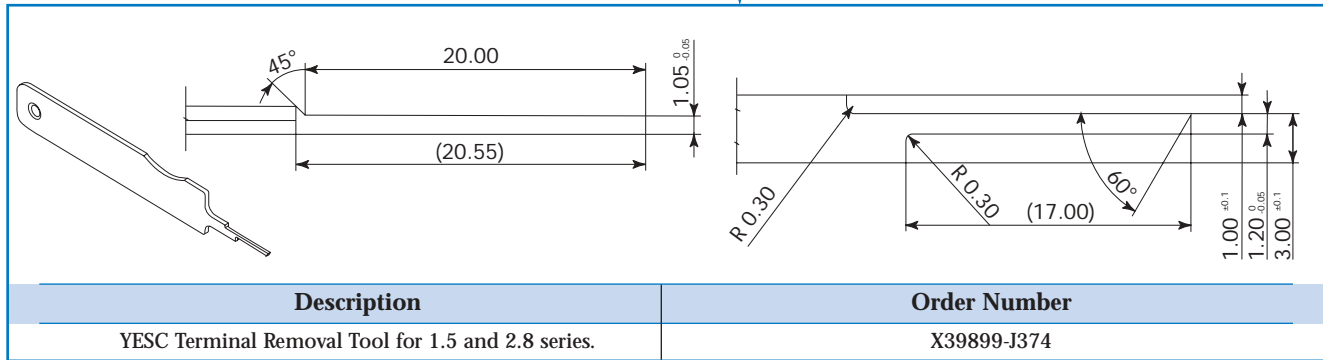
## Applicable Terminal Removal Tool/Dimensions

UNIT: mm



## Applicable Terminal Removal Tool/Dimensions

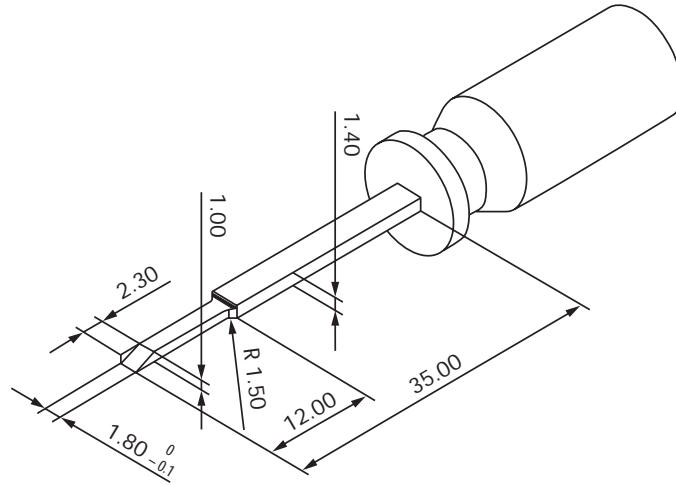
UNIT: mm



# TERMINAL REMOVAL

## Applicable Terminal Removal Tool/Dimensions

UNIT: mm



Description	Order Number
YESC Terminal Removal Tool for 6.3 series.	G0406 (PA Type)

# NOTES

---



Y E S C

# *Index*



INDEX

# INDEX

Part Number	Pages
7114-4100-02	15
7114-4100-08	15
7114-4101-02	15
7114-4101-08	15
7114-4102-02	23
7114-4102-08	23
7114-4103-02	23
7114-4103-08	23
7114-4110-02	31
7114-4111-02	31
7114-4112-02	31
7114-4120-02	45
7114-4121-02	45
7114-4122-02	45
7114-4140-02	49
7114-4141-02	49
7114-4142-02	49
7114-4150-02	39
7114-4151-02	39
7114-4152-02	39
7114-4720-02	3, 9
7114-4720-08	3, 9
7114-4721-02	3, 9
7114-4721-08	3, 9
7116-4100-02	15
7116-4100-08	15
7116-4101-02	15
7116-4101-08	15
7116-4102-02	23
7116-4102-08	23
7116-4103-02	23
7116-4103-08	23
7116-4110-02	31
7116-4111-02	31

Part Number	Pages
7116-4112-02	31
7116-4120-02	45
7116-4121-02	45
7116-4122-02	45
7116-4140-02	49
7116-4141-02	49
7116-4142-02	49
7116-4150-02	39
7116-4151-02	39
7116-4152-02	39
7116-4720-02	3, 9
7116-4720-08	3, 9
7116-4721-02	3, 9
7116-4721-08	3, 9
7134-4482-30	24
7134-4691	67
7134-4692	67
7158-3030-50	23
7158-3031-90	23
7158-3032-60	23
7158-3080-60	49
7158-3081-50	49
7158-3082-90	49
7158-3083	49
7158-3110-40	39
7158-3111-60	39
7158-3112-70	39
7158-3113-40	39
7158-3114-90	39
7158-3115-80	39
7158-3116-50	39
7234-4481-30	24
7282-4848-30	68
7282-5530-40	17

Part Number	Pages
7282-5530-50	16
7282-5531-40	17
7282-5531-50	16
7282-5531-70	16
7282-5532-40	17
7282-5533-40	18
7282-5533-70	16
7282-5534-60	18
7282-5535-90	18
7282-5536-40	19
7282-5538-40	18
7282-5539-40	17
7282-5540-40	18
7282-5541-30	26
7282-5543-10	26
7282-5545-10	24
7282-5545-30	24
7282-5548-30	25
7282-5553-10	27
7282-5553-30	24
7282-5555-40	16
7282-5558-10	25
7282-5560-40	34
7282-5561-40	33
7282-5563-40	33
7282-5564-40	34
7282-5565-40	33
7282-5566-60	33
7282-5567-40	34
7282-5569-40	33
7282-5570-10	41
7282-5571-30	41
7282-5574-10	42
7282-5575-10	41

Part Number	Pages
7282-5576-10	41
7282-5577-10	41
7282-5578-60	35
7282-5580-40	33
7282-5590-40	46
7282-5594-40	46
7282-5595-10	51
7282-5596-10	51
7282-5604-40	46
7282-5620-40	57
7282-5621	56
7282-5621-40	57
7282-5622-40	57
7282-5623-30	56
7282-5623-60	57
7282-5624-80	56
7282-5624-90	58
7282-5625-40	57
7282-5628-40	57
7282-5680-60	17
7282-5680-70	16
7282-5683-60	18
7282-5684-10	27
7282-5684-30	24
7282-5688-60	17
7282-5690-60	16
7282-5691-10	26
7282-5889-30	26
7282-5889-90	24
7282-5944-40	16
7282-5946-30	27
7282-6075-30	11
7282-6376-30	70
7282-6493-30	24

Part Number	Pages
7282-6560-40	5
7282-6561-40	5
7282-6568-40	5
7282-7696-40	5
7282-8473-40	32
7282-8499-40	16
7282-8870-40	5
7283-4846-30	69
7283-4847-30	69
7283-4848-30	68
7283-5530-40	17
7283-5530-50	16
7283-5531-40	17
7283-5531-50	16
7283-5531-70	16
7283-5532-40	17
7283-5533-40	18, 63
7283-5533-70	16
7283-5534-60	18, 63
7283-5534-61	62
7283-5534-62	62
7283-5535-90	18, 64
7283-5536-40	19, 64
7283-5537-30	26
7283-5538-40	18
7283-5539-40	17
7283-5540-40	18, 63
7283-5541-30	26
7283-5542-30	24
7283-5543-10	26
7283-5544-10	24
7283-5545-10	28
7283-5545-30	24
7283-5546-10	24

Part Number	Pages
7283-5546-30	24
7283-5547-30	24
7283-5548-30	25
7283-5549-30	24
7283-5550-30	24
7283-5553-10	27
7283-5553-30	24
7283-5554-10	24
7283-5554-30	24
7283-5558-10	25
7283-5558-40	24
7283-5559-10	24
7283-5559-40	24
7283-5560-40	34
7283-5560-90	32
7283-5561-40	33
7283-5563-40	33
7283-5564-40	34
7283-5565-40	33
7283-5566-60	33
7283-5567-40	34, 64
7283-5569-40	33
7283-5570-10	41
7283-5571-30	41
7283-5574-10	42
7283-5575-10	41
7283-5576-10	41
7283-5577-10	41
7283-5578-60	35
7283-5580-40	33
7283-5590-40	46, 64
7283-5591-40	46
7283-5592-60	46
7283-5594-40	46

# INDEX

Part Number	Pages
7283-5595-10	51
7283-5596-10	51
7283-5601-40	45
7283-5602-40	45
7283-5603-40	45
7283-5620-40	57
7283-5621	56
7283-5621-40	57
7283-5622-40	57, 64
7283-5623-30	56
7283-5623-60	57
7283-5624-80	56
7283-5624-90	58
7283-5625-40	57
7283-5628-40	57
7283-5631-30	69
7283-5632-40	69
7283-5635-30	75
7283-5637-40	56
7283-5639-40	56
7283-5643-40	56
7283-5680-60	17
7283-5680-70	16
7283-5683-60	18
7283-5684-10	27
7283-5684-30	24
7283-5685-10	24
7283-5685-30	24
7283-5689-30	25, 76
7283-5691-10	26
7283-5692-30	24
7283-5694-10	24
7283-5694-40	24
7283-5695-10	24

Part Number	Pages
7283-5695-30	24
7283-5810-30	75
7283-5875-30	75
7283-5880-10	24
7283-5885-30	27
7283-5886-30	24
7283-5889-30	26
7283-5889-90	24
7283-5904-40	16
7283-5905-40	16
7283-5906-40	16
7283-5907-40	16
7283-5908-40	16
7283-5909-40	16
7283-5910-40	32
7283-5911-40	32
7283-5912-40	32
7283-5913-40	32
7283-5914-40	32
7283-5915-40	32
7283-5916-40	32
7283-5917-60	34
7283-5918-30	41
7283-5922-10	40
7283-5923-10	40
7283-5924-10	40
7283-5925-30	40
7283-5926-10	40
7283-5927-10	40
7283-5928-10	50
7283-5929-10	50
7283-5940-40	16
7283-5941-60	16
7283-5946-30	27

Part Number	Pages
7283-5947-30	24
7283-5948-40	27
7283-5967-30	26, 77
7283-6076-30	10
7283-6078-30	11
7283-6372-30	70
7283-6373	70
7283-6376-30	70
7283-6382-60	34
7283-6383-10	32
7283-6384-10	34
7283-6386-40	5
7283-6387-40	5
7283-6388-40	5
7283-6430-30	77
7283-6432-10	25
7283-6433	25
7283-6434-40	25
7283-6436-40	70
7283-6437-90	70
7283-6438-60	70
7283-6464-10	50
7283-6472-30	24
7283-6473-30	24
7283-6474-60	17
7283-6475-60	16
7283-6476-10	50
7283-6478-30	27
7283-6479-30	24
7283-6493-30	24
7283-6560-40	4
7283-6561-40	4
7283-6568-40	4
7283-6647-30	77

Part Number	Pages
7283-7696-40	5
7283-7697-40	4
7283-8492-30	77
7283-8872-40	4
7283-8873-40	5
7341-5270-40	76
7341-5271-40	76
7341-5272-40	76
7382-5551-60	63
7382-5552-30	64
7382-5568-40	64
7382-5597-40	64
7382-5608-30	64
7382-5627-40	64
7382-5681-60	63
7382-5682-60	63
7382-5881-40	64
7382-5884-40	63
7382-5957-30	63
7382-6379-30	63

DISCLAIMER: The information contained in this catalog is for reference purpose only, is subject to change without notice, and is not guaranteed by Yazaki Corporation, Yazaki North America Inc., Yazaki Europe Limited or any other Yazaki group company (collectively referred to as "Yazaki"). Yazaki makes no warranty as to the completeness or accuracy of the information contained herein, and is not responsible for any typographical or printing errors. Then current specifications for individual products should be obtained by potential customers in connection with placing orders for products with Yazaki.

The customer, among other matters, is solely responsible for determining the fitness or suitability of any product of Yazaki for the purpose intended by the customer and for all design and related matters.

Yazaki makes no warranty, express or implied, with respect to any product referred to in this catalog, except such express warranty. If any as may be specifically agreed to by Yazaki in a written agreement signed and delivered by an authorized representative of Yazaki for the sale of such product, and any such express warranty shall be the sole and exclusive liability of Yazaki. Yazaki makes no other warranty. Whether express, implied, statutory or otherwise, including but not limited to any warranty of merchantability or fitness for any particular use, purpose or otherwise with respect to such products.

APRIL, 2004

## **NORTH AMERICA**

### **Headquarters:**

6801 Haggerty Road,  
Canton, MI 48187, USA  
734.983.1000  
888.942.9152

### **El Paso Branch:**

12 Leigh Fisher Blvd.,  
El Paso, Texas 79906, USA  
915.778.5373

## **ASIA & SOUTH AMERICA**

### **Sincom:**

Singapore Component Pte. Ltd.  
79 Anson Road #06-01  
Singapore 079906  
656.226.6910

### **Japan:**

World Headquarters:  
Component Operations:  
1500 Mishuku, Susono-City  
Shizuoka-Pref.  
410-1194 JAPAN  
81.55.965.3026

## **EUROPE**

### **Component Center:**

**Frankfurt:**  
Kurhessenstrasse 15,  
64546  
Morfelden-Walldorf, GERMANY  
49.6105.99150

### **Engineering Center:**

Robert Bosch-Strasse 43  
50769  
Köln, GERMANY  
49.221.59.7990

### **Hemel Hempstead:**

Unit 1 The Willows, Mark Road  
Hemel Hempstead, Hertfordshire  
HP2 7AU UNITED KINGDOM  
44.1442.29.2400

### **Belgium:**

Bedrijfsstraat 1220,  
3660 Opglabbeek, BELGIUM  
32.89.85.2140

### **Barcelona:**

Gran Via Corts Catalanes 184  
Atico 2A, 08038  
Barcelona, SPAIN  
34.934.329.200

### **Gothenberg:**

Exportgatan 38 B  
422 46  
Hisings Backa, SWEDEN  
46.31.742.0600

### **Torino:**

Via Leonardo da Vinci 29  
10095 Grugliasco  
Torino, ITALY  
39.11.780.4848

[www.yazaki-na.com](http://www.yazaki-na.com)

888.942.9152

