



Axial Multilayer Ceramic Capacitors

Epoxy Coated Axial Leaded Multilayer Ceramic Capacitor

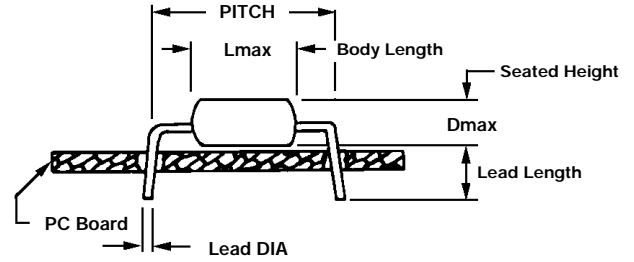
Features

- Can be applied for automatically inserted operation in standard taping and reel package.
- The terminal electrodes and leads are positively soldered and coated with epoxy resin to provide excellent resistance to humidity.
- Smaller size to save space.

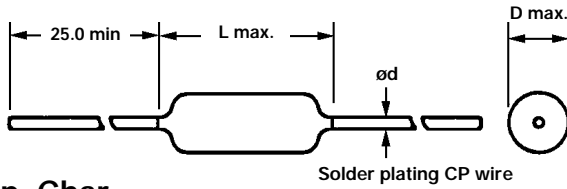
Packaging

- Tape & Reel = 8000 pieces per reel.
- Tape & Box = 5000 pieces per box.

Special Features for Forming



Dimensions



Temp. Char.

Code	NPO (N)
Temp. Coeff. (PPM/°C)	0±30

Code	X7R (W)	Z5U (Z)	Y5V (Y)
Cap. Change (%)	±15	+22 -56	+22 -82

Size

A15	4mm X 2.5mm
A18	5.08mm x 3.05mm

Rated Capacitance

Code	Capacitance (pF)
1R5	1.5pf
102	1000pF
223	22000pF
105	1,000,000pF

Packaging

Code	Pitch (mm)
TR	Tape & Reel
TB	Tape/Box

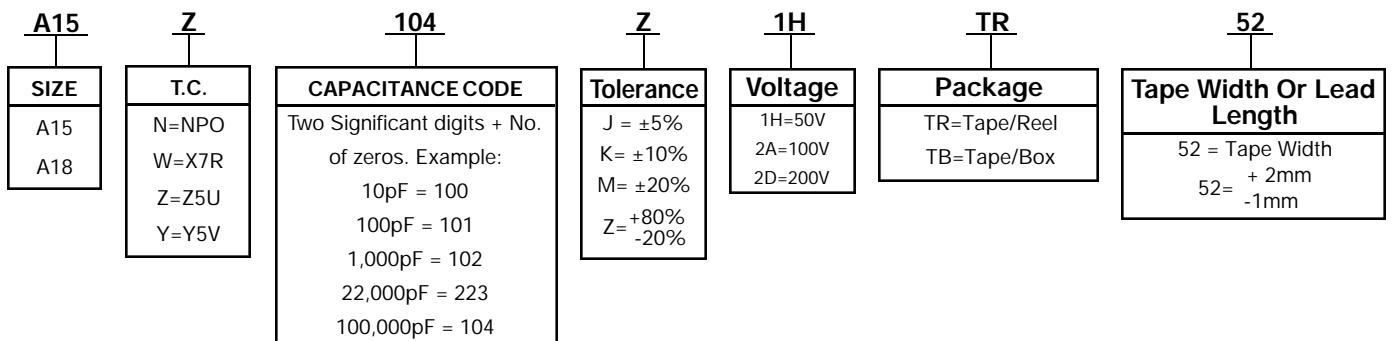
EIA/TC	WVDC	Capacitance Range	Tolerance
NPO (COG)	(2A) 100	10pF-2200pF	5% (J)
	(1H) 50	10pF-2200pF	10% (K)
X7R	(2A) 100	200pF-.1µF	10% (K)
	(1H) 50	220pF-.1µF	
Z5U	(2A) 100	.1µF-1µF	20% (M)
	(1H) 50	.1µF-1µF	
Y5V	(2A) 100	.1µF-1µF	+80 -20 (Z)
	(1H) 50	.1µF-1µF	

Rated Voltage

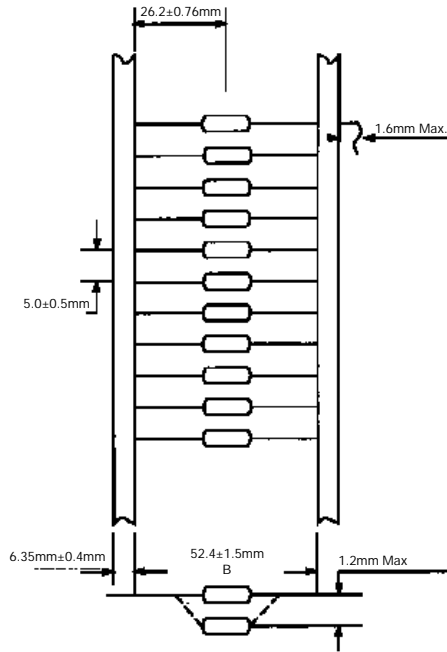
Code	WV. (DC)
1H	50V
2A	100V
2D	200V

Multilayer Ceramic Capacitor

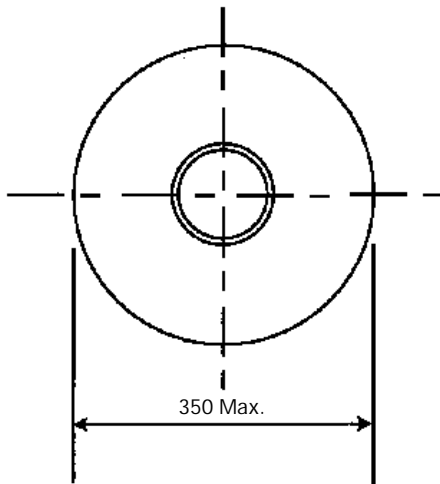
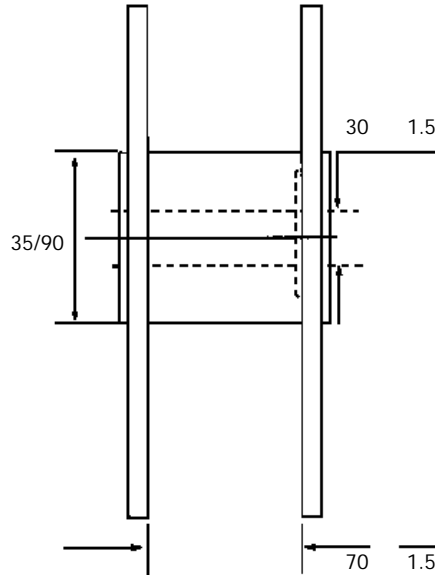
Part Numbering System



Axial Multilayer Ceramic Capacitors



Reel Pack



Ammo Pack

