



Metallized Polyester Film Capacitors

MEF

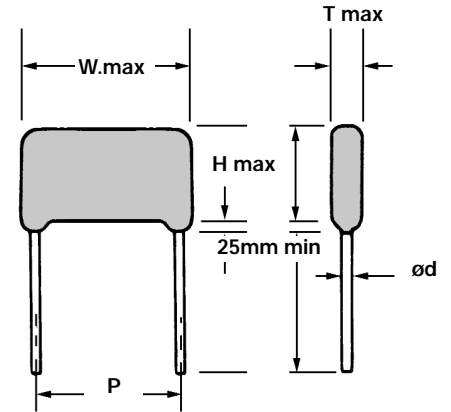
MEF are non-inductively wound with metallized Polyester film as the dielectric/electrode with copper clad steel leads and epoxy resin coating. They are suitable for blocking, coupling, decoupling, filtering, by pass and timing circuits. They find application in telecommunication, data processing, industrial instruments, and automatic control system equipment.

Features:

- High moisture resistance.
- Good solderability.
- Self healing properties.
- Space saving small size.

Specification:

- Operating Temperature: -40°C ~+ 85°C
- Capacitance Range: .01μF ~ 10μF
- Capacitance Tolerance: J (±5%), K (±10%), M (±20%)
- Rated Voltage: 50V/63VDC, 100VDC, 250VDC, 400VDC, 630VDC
- Dissipation Factor: 1.0%Max at 1 KHz, 25°C
- Insulation Resistance: >30000 M (C .33μF)
>10000 M μF (C>.33μF)
>15000 M (C .33μF, 50V, 63V, 100V)
>5000 M -μF(C>.33μF, 50V, 63V, 100V)



Unit: mm

CAP Code	R.V. CAP μF	50VDC/63VDC					100VDC					250VDC					400VDC					630VDC				
		W	H	T	P±1	dø	W	H	T	P±1	dø	W	H	T	P±1	dø	W	H	T	P±1	dø	W	H	T	P±1	dø
103	.01	10.5	9	5.5	7.5	0.6	10.5	9	5.5	7.5	0.6	10.5	9	5.5	7.5	0.6	10.5	9	5.5	7.5	0.6	13	10	6	10	0.6
153	.015	10.5	9.5	6	7.5	0.6	10.5	9.5	6	7.5	0.6	10.5	9.5	6	7.5	0.6	10.5	9.5	6	7.5	0.6	13	10.5	6.5	10	0.6
223	.022	10.5	9.5	6	7.5	0.6	10.5	9.5	6	7.5	0.6	10.5	9.5	6	7.5	0.6	13	9.5	6	10	0.6	13	12.5	7.5	10	0.6
333	.033	10.5	9.5	6	7.5	0.6	10.5	9.5	6	7.5	0.6	10.5	9.5	6	7.5	0.6	13	10	6.5	10	0.6	18.5	12	6.5	15	0.6
473	.047	10.5	9.5	6	7.5	0.6	10.5	9.5	6	7.5	0.6	10.5	9.5	6	7.5	0.6	13	12	7	10	0.6	18.5	12.5	7.5	15	0.6
683	.068	10.5	9.5	6	7.5	0.6	10.5	9.5	6	7.5	0.6	10.5	10	6.5	7.5	0.6	13	13	8	10	0.6	18.5	14	8.5	15	0.8
104	.1	10.5	9.5	6	7.5	0.6	10.5	9.5	6	7.5	0.6	13	10	6.5	10	0.6	18.5	12.5	7	15	0.8	18.5	14.5	10	15	0.8
154	.15	10.5	10.5	7	7.5	0.6	13	9	5.5	10	0.6	18.5	11	6	15	0.6	18.5	13.5	8	15	0.8	22.5	16.5	9.5	20	0.8
224	.22	10.5	10.5	7	7.5	0.6	13	10	6.5	10	0.6	18.5	11.5	6.5	15	0.6	22.5	14.5	8	20	0.8	22.5	19	11.5	20	0.8
334	.33	10.5	11	8	7.5	0.6	13	11.5	8	10	0.6	18.5	12	7	15	0.8	22.5	15	9	20	0.8	32	19	12	27.5	0.8
474	.47	10.5	11.5	8	7.5	0.6	18.5	11	6	15	0.6	22.5	12.5	7.5	20	0.8	22.5	18.5	11.5	20	0.8	32	22	13.5	27.5	0.8
684	.68	13	11.5	7	10	0.6	18.5	12.5	7.5	15	0.6	22.5	13.5	8.5	20	0.8	32	19	12	27.5	0.8	36	22.5	14.5	32.5	0.8
105	1.0	13	12.5	7	10	0.6	18.5	13.5	8.5	15	0.8	22.5	15	10	20	0.8	32	21.5	13.5	27.5	0.8	36	29	16	32.5	0.8
155	1.5	18.5	14	8	15	0.8	22.5	14.5	8	20	0.8	32	17.5	9.5	27.5	0.8	36	23.5	14	32.5	0.8	42	29.5	18.5	37.5	1.0
225	2.2	18.5	15	10	15	0.8	22.5	16.5	10	20	0.8	32	19	10.5	27.5	0.8	36	27.5	18.5	32.5	0.8	46	32.5	20.5	42.5	1.0
335	3.3						22.5	20	12	20	0.8	32	23	13.5	27.5	0.8	42	30.5	18.5	37.5	1.0					
475	4.7						22.5	21.5	14	20	0.8	36	24	14	32.5	0.8	46	34	22	42.5	1.0					
685	6.8						32	23.5	14.5	27.5	0.8	42	27	16	37.5	1.0										
106	10						32	29	18	27.5	0.8	42	35	19	37.5	1.0										

Metallized Polyester Film Capacitors



MEF

Characteristics Reference Permissible AC Voltage V Frequency

Metallized Polyester Film Capacitor (MEF)

