

Compression Connections

BURNDY®

Copper Compression – Code – Inspection Window

C-30

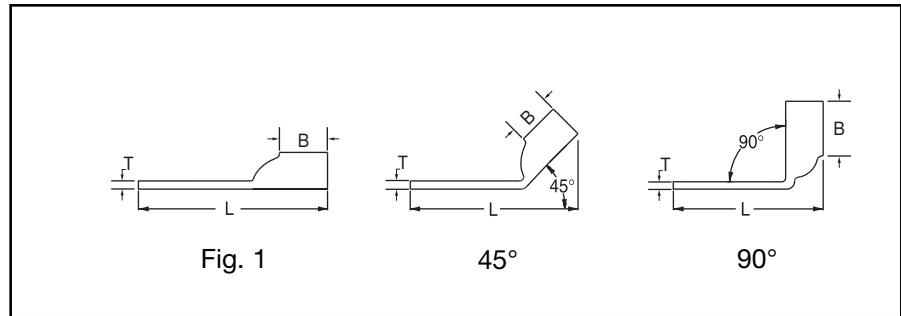
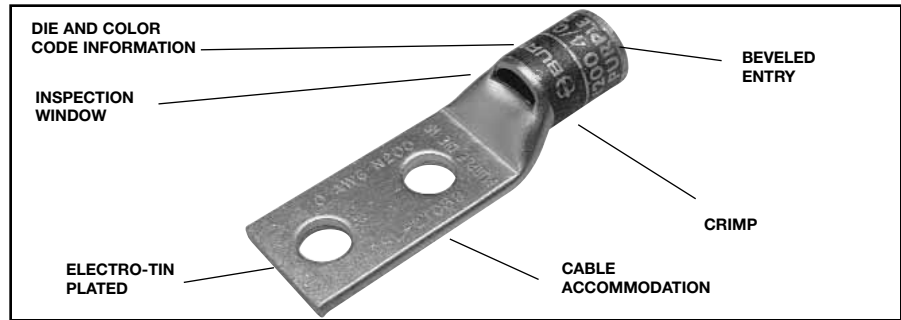
TWO HOLE HYLUG™ CODE CONDUCTOR STANDARD BARREL

TYPES YAV-2TC, YA-L2L,
YA-2LN, AND YA-L-2TC

COPPER COMPRESSION
TERMINAL

UL Listed 90° C,
600 Volts to 35 kV ♦

45° and 90° angles are available.
Please contact Customer Service to order:
1-800-346-4175



Catalog Number	Fig #	Conductor		Stud Hole Size	Stud Hole Spacing	Tongue Width	Figure Dimensions			▲ Installation Tooling					Wire Strip Length	
		AWG	MM ²				(B)	(T)	(L)	Dieless (# of crimps)	Mechanical	Hydraulic		Color Code		Die Index
											MD6, OUR840, MD7-34R	BCT500HS, Y500CHS	Y35, Y39, Y750, Y46*, PAT750			
YAV10-2TC10	1	#14-10 Str. #12-10 Sol.	6	# 10	5/8"	.38"	.38"	.06"	1.72"	Y8MRB-1 (1)	—	—	—	—	—	7/16"
YAV10-2TC14	1			1/4"	5/8"	.47"	.38"	.06"	1.84"							
YAV10-2TC14E1	1			1/4"	1"	.47"	.38"	.05"	2.22"							
YAV10-2TC14E2	1			1/4"	3/4"	.47"	.38"	.05"	1.97"							
YAV10-2TC38	1			3/8"	1"	.56"	.38"	.04"	2.40"							
YA8CL-2TC10	1	#8 AWG #8 Weld 37/24 #6 Sol.	† 10	# 10	5/8"	.41"	.44"	.08"	1.83"	Y1MRTC (1)	W8CVT (1) W8CRT (1) X8CRT (1)	W8CVT (1) W8CRT (1) X8CRT (1)	U8CRT (1)	Red	49	1/2"
YA8CL-2TC10E2	1			# 10	3/4"	.41"	.44"	.08"	1.95"	Y8MRB-1 (1)						
YA8CL-2TC14	1			1/4"	5/8"	.44"	.44"	.08"	1.95"	MY29-3 (1)						
YA8CL-2TC14E1	1			1/4"	1"	.44"	.44"	.08"	2.33"	MY29-11 (1)						
YA8CL-2TC14E2	1			1/4"	3/4"	.44"	.44"	.08"	2.08"	MRC840 (1)						
YA8CL-2TC38	1			3/8"	1"	.57"	.44"	.06"	2.52"	Y81KFT (1)						
YA8C-2LN	1			1/2"	1-3/4"	.83"	.44"	.12"	3.75"	Y81KFTMBH (1)						
YA6C-2L	1			1/4"	5/8"	.45"	.54"	.08"	2.01"	PAT81KFT-18V (1)						
YA6C-2LN	1			1/2"	1-3/4"	.81"	.54"	.12"	3.87"							
YA6CL-2TC10	1			# 10	5/8"	.42"	.54"	.09"	1.94"	Y1MRTC (1)						
YA6CL-2TC14	1	1/4"	5/8"	.45"	.54"	.08"	2.07"	MY29-3 (1)								
YA6CL-2TC14E	1	1/4"	1/2"	.45"	.54"	.08"	1.94"	MY29-11 (1)								
YA6CL-2TC14E1	1	1/4"	1"	.45"	.54"	.08"	2.44"	MRC840 (1)								
YA6CL-2TC14E2	1	1/4"	3/4"	.44"	.54"	.08"	2.19"	MRC840 (1)								
YA6CL-2TC38	1	3/8"	1"	.63"	.54"	.06"	2.63"	Y81KFT (1)								
YA6C-2L51	1	# 10	1/2"	.42"	.54"	.09"	1.79"	Y81KFTMBH (1)								
YA6CL-2TC516	1	5/16"	1"	.52"	.54"	.07"	2.51"	PAT81KFT-18V (1)								
YA6CL-2TC516E2	1	5/16"	3/4"	.52"	.54"	.07"	2.26"									
YA6C-2L52	1	1/4"	1/2"	.45"	.54"	.08"	1.88"									
YA5C-2L	1	5 AWG	—	1/4"	5/8"	.44"	.81"	.07"	2.28"							7/8"

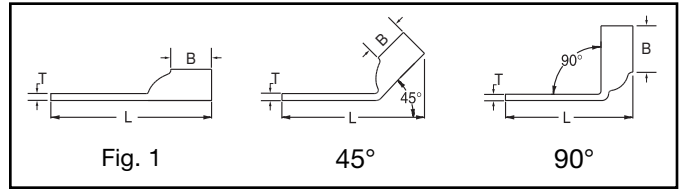
-- Color code not assigned.
* Use PUADP-1 adapter with U dies in Y46 HYPRESS™.
** P-RT die sets for use in Y46 HYPRESS™ only, PUADP-1 adapter not required.

*** The MM² conductor sizes listed are the recommendations for Class 2 conductor.
† The MM² conductor size referenced here is for both Class 2 and Class 5.

▲ See tooling section of this catalog for complete tool and die listings.
♦ For applications greater than 2000 volts consult cable manufacturer for voltage stress relief instructions.
Note: All dimensions shown are for reference only.

Blue highlighted items are industry standard and most frequently ordered.

**TWO HOLE HYLUG™
CODE CONDUCTOR
STANDARD BARREL**
(Continued)



UL Listed 90° C,
600 Volts to 35 kV ◆

45° and 90° angles are available.
Please contact Customer Service to order:
1-800-346-4175



Catalog Number	Fig #	Conductor		Stud Hole Size	Stud Hole Spacing	Tongue Width	Figure Dimensions			▲ Installation Tooling						
		AWG	MM²				(B)	(T)	(L)	Dieless (# of crimps)	Mechanical MD6, OUR840, MD7-34R	Hydraulic		Color Code	Die Index	Wire Strip Length
												BCT500HS, Y500CTHS	Y35, Y39, Y750, Y46*, PAT750			
YA4C-2L	1	4 AWG	—	1/4"	5/8"	.49"	.81"	.09"	2.30"	Y1MRTC (2) MY29-3 (1) MY29-11 (1) MRC840 (1) Y644HS (1) Y81KFT (1) Y81KFTMBH (1) PAT81KFT-18V (1)	W4CVT (1) W4CRT (1) X4CRT (1)	W4CVT (1) W4CRT (1) X4CRT (1)	U4CRT (1) U6CABT (1)	Gray	8	7/8"
YA4CL-2TC14	1			1/4"	5/8"	.49"	.81"	.09"	2.36"							
YA4CL-2TC38	1			3/8"	1"	.58"	.81"	.08"	2.96"							
YA4CL-2TC14E1	1			1/4"	1"	.49"	.81"	.09"	2.74"							
YA4C-2LN	1	4 AWG	—	1/2"	1-3/4"	.83"	.81"	.12"	4.14"	Y1MRTC (2) MY29-3 (1) MY29-11 (1) MRC840 (1) Y644HS (1) Y81KFT (1) Y81KFTMBH (1) PAT81KFT-18V (1)	W4CVT (1)	X4CRT (1)	U4CRT (1)	Gray	8	7/8"
YA4CL-2TC14E2	1			1/4"	3/4"	.49"	.81"	.09"	2.49"							
YA4CL-2TC516	1			5/16"	1"	.52"	.81"	.09"	2.80"							
YA3CL-2TC14	1	3 AWG #2 Sol.	25	1/4"	5/8"	.55"	.81"	.09"	2.45"	Y1MRTC (2) MY29-3 (1) MY29-11 (1) MRC840 (1) Y644HS (1) Y81KFT (1) Y81KFTMBH (1) PAT81KFT-18V (1)	W3CRT (1)	W3CRT (1)	U3CRT (1)	White	9	15/16"
YA3C-2L	1			5/16"	5/8"	.55"	.88"	.09"	2.64"							
YA3CL-2TC38	1			3/8"	1"	.58"	.88"	.08"	3.06"							
YA2C-2L	1	2 AWG	35	5/16"	3/4"	.60"	.88"	.11"	2.67"	Y1MRTC (2) MY29-3 (1) MY29-11 (1) MRC840 (1) Y644HS (1) Y81KFT (1) Y81KFTMBH (1) PAT81KFT-18V (1)	W2CVT (1) W2CRT (1) X2CRT (1)	W2CVT (1) W2CRT (1) X2CRT (1)	U2CRT (1)	Brown	10	15/16"
YA2C-2LN	1			1/2"	1-3/4"	.83"	.88"	.11"	4.27"							
YA2CL-2TC14	1			1/4"	5/8"	.60"	.88"	.11"	2.47"							
YA2CL-2TC14E1	1			1/4"	1"	.60"	.88"	.11"	2.85"							
YA2CL-2TC14E2	1	1/4"	3/4"	.60"	.88"	.11"	2.60"	Y1MRTC (2) MY29-3 (1) MY29-11 (1) MRC840 (1) Y644HS (1) Y81KFT (1) Y81KFTMBH (1) PAT81KFT-18V (1)	W1CVT (1) W1CRT-1 (1) X1CRT-1 (1)	W1CVT (1) W1CRT-1 (1) X1CRT-1 (1)	U1CRT-1 (1) U4CABT (1)	Green	11	15/16"		
YA2CL-2TC38	1	3/8"	1"	.60"	.88"	.11"	3.03"									
YA2CL-2TC516	1	5/16"	1"	.60"	.88"	.11"	2.91"									
YA1C-2LN	1	1 AWG	50	1/2"	1-3/4"	.81"	.88"								.12"	4.32"
YA1C-2L	1			5/16"	7/8"	.68"	.88"	.10"	2.82"							
YA1CL-2TC14	1			1/4"	5/8"	.68"	.88"	.10"	2.51"							
YA1CL-2TC14E2	1			1/4"	3/4"	.68"	.88"	.10"	2.64"							
YA1CL-2TC38	1	—	—	3/8"	1	.68"	.88"	.10"	3.07"	Y1MRTC (2) MY29-3 (1) MY29-11 (1) MRC840 (1) Y644HS (1) Y81KFT (1) Y81KFTMBH (1) PAT81KFT-18V (1)	W1CVT (1)	X1CRT-1 (1)	U1CRT (1)	Green	11	15/16"
YA25-2L	1	5/16"	7/8"	.75"	.88"	.12"	2.85"									
YA25-2LN	1	1/2"	1-3/4"	.83"	.88"	.11"	4.29"									
YA25L-2TC14	1	1/4"	5/8"	.75"	.88"	.12"	2.64"									
YA25L-2TC14E1	1	1/4"	1"	.75"	.88"	.12"	3.01"	Y1MRTC (2) MY29-3 (1) MY29-11 (1) MRC840 (2) Y644HS (1) Y81KFT (1) Y81KFTMBH (1) PAT81KFT-18V (1)	W25VT (2) W25RT (2) X25RT (2)	W25VT (2) W25RT (2) X25RT (2)	U25RT (1) U2CABT (1)	Pink	12	15/16"		
YA25L-2TC14E2	1	1/4"	3/4"	.75"	.88"	.12"	2.66"									
YA25L-2TC38	1	3/8"	1"	.75"	.88"	.12"	3.10"									
YA26-2L	1	5/16"	7/8"	.83"	.94"	.12"	2.95"									
YA26-2LN	1	1/2"	1-3/4"	.83"	.94"	.12"	4.39"	Y1MRTC (2) MY29-3 (1) MY29-11 (1) MRC840 (2) Y644HS (1) Y81KFT (1) Y81KFTMBH (1) PAT81KFT-18V (1)	W26VT (2) W26RT (2) X26RT (2)	W26VT (2) W26RT (2) X26RT (2)	U26RT (1)	Black	13	1"		
YA26L-2TC14	1	1/4"	5/8"	.83"	.94"	.12"	2.64"									
YA26L-2TC14E1	1	1/4"	1"	.83"	.94"	.12"	3.01"									
YA26L-2TC14E2	1	1/4"	3/4"	.83"	.94"	.12"	2.76"									
YA26L-2TC38	1	3/8"	1"	.83"	.94"	.12"	3.20"	Y1MRTC (2) MY29-3 (1) MY29-11 (1) MRC840 (2) Y644HS (1) Y81KFT (1) Y81KFTMBH (1) PAT81KFT-18V (1)	W27VT (2) W27RT (2) X27RT (3)	W27VT (2) W27RT (2) X27RT (3)	U27RT (1)	Orange	14	1-1/16"		
YA27-2LN	1	1/2"	1-3/4"	.91"	1.00"	.13"	4.48"									
YA27L-2TC14E2	1	1/4"	3/4"	.91"	1.00"	.12"	2.86"									
YA27L-2TC38	1	3/8"	1"	.91"	1.00"	.12"	3.30"									

-- Color code not assigned.
▲ See tooling section of this catalog for complete tool and die listings.

◆ For applications greater than 2000 volts consult cable manufacturer for voltage stress relief instructions.
* Use PUADP-1 adapter with U dies in Y46 HYPRESS™.

** P-RT die sets for use in Y46 HYPRESS™ only, PUADP-1 adapter not required.
*** The MM² conductor sizes listed are the recommendations for Class 2 conductor.

Note: All dimensions shown are for reference only.

Blue highlighted items are industry standard and most frequently ordered.

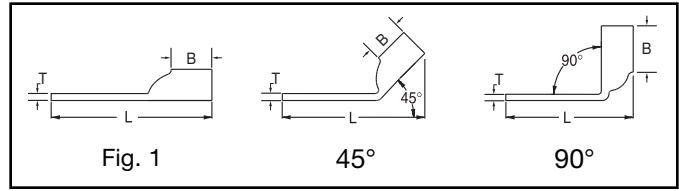
Compression Connections

BURNDY®

Copper Compression – Code – Inspection Window

C-32

TWO HOLE HYLUG™ CODE CONDUCTOR STANDARD BARREL (Continued)



UL Listed 90° C,
600 Volts to 35 kV ♦

45° and 90° angles are available.
Please contact Customer Service to order:
1-800-346-4175



Catalog Number	Fig #	Conductor		Stud Hole Size	Stud Hole Spacing	Tongue Width	Figure Dimensions			Dieless (# of crimps)	▲ Installation Tooling					Wire Strip Length
		AWG	MM ²				(B)	(T)	(L)		Mechanical MD6, OUR840, MD7-34R	Hydraulic		Color Code	Die Index	
												BCT500HS, Y500CTHS	Y35, Y39, Y750, Y46*, PAT750			
YA28L-2NTC516	1	4/0 AWG	—	5/16"	1-3/4"	1.02"	.88"	.14"	3.84"	MY29-3 (1)	W28VT (2) W28RT (2) X28RT (3)	W28VT (2) W28RT (2) X28RT (3)	U28RT (1)	Purple	15	1-1/8"
YA28-2LN	1			1/2"	1-3/4"	1.02"	.88"	.14"	4.41"	MY29-11 (1)						
YA28L-2TC14E1	1			1/4"	1"	1.02"	.88"	.14"	3.03"	MRC840 (2)						
YA28L-2TC14E2	1			1/4"	3/4"	1.02"	.88"	.14"	2.78"	Y644HS (1)						
YA28L-2TC38E2	1			3/8"	3/4"	1.02"	.88"	.14"	2.97"	Y81KFT (1)						
YA28L-2TC38	1			3/8"	1"	1.02"	.88"	.14"	3.22"	Y81KFTMBH (1) PAT81KFT-18V (1)						
YA29-2LN	1	250 kcmil	—	1/2"	1-3/4"	1.11"	1.06"	.16"	4.62"	MY29-3 (1)	W29VT (2) X29RT (4)	W29VT (2) W29RT (2) X29RT (4)	U29RT (1)	Yellow	16	1-1/8"
YA29L-2TC38	1			3/8"	1"	1.11"	1.06"	.16"	3.45"	MY29-11 (1)						
YA30-2LN	1	300 kcmil	150	1/2"	1-3/4"	1.20"	1.03"	.16"	4.63"	Y644HS (1)	W30VT (2)	W30VT (2) W30RT (2)	U30RT (2) U28ART (2)	White	17	1"
YA30L-2TC-38	1			3/8"	1"	1.20"	1.03"	.16"	3.45"							
YA31-2LN	1	350 kcmil	185	1/2"	1-3/4"	1.29"	1.06"	.18"	4.70"	Y81KFT (1)	W31VT (2)	W31VT (2) W31RT (2)	U31RT (2) U29ART (2)	Red	18	1-1/8"
YA31L-2TC12	1			1/2"	1-1/4"	1.29"	1.06"	.18"	4.01"							
YA31L-2TC14E2	1			1/4"	3/4"	1.29"	1.06"	.18"	3.07"							
YA31L-2TC38	1			3/8"	1"	1.29"	1.06"	.18"	3.51"							
YA31L-2NTC516	1			5/16"	1-3/4"	1.29"	1.06"	.18"	4.13"							
YA32-2LN	1			1/2"	1-3/4"	1.38"	1.19"	.19"	4.88"							
YA32L-2TC38E5	1	400 kcmil	—	3/8"	1-1/16"	1.40"	1.19"	.19"	3.75"	Y81KFTMBH (1)	W32VT (2)	W32VT (2) W32RT (2)	U32RT (2) U30ART (2)	Blue	19	1-1/4"
YA32L-2TC38	1			3/8"	1"	1.38"	1.19"	.19"	3.69"							
YA32-2L	1			3/8"	1"	1.40"	1.19"	.19"	3.75"							
YA33-2LN	1	450 kcmil	—	1/2"	1-3/4"	1.48"	1.50"	.21"	5.23"	Y81KFTMBH (1)	W33VT (2)	W33VT (2) W33RT (2)	U33RT (2)	Gray	326 or 538	1-9/16"
YA34-2LN	1	500 kcmil	240	1/2"	1-3/4"	1.52"	1.27"	.23"	5.06"	PAT81KFT-18V (1)	W34VT (2)	W34VT (2) W34RT (2)	U34RT (2) U31ART (2)	Brown	20	1-7/16"
YA34L-2TC12	1			1/2"	1-1/4"	1.52"	1.27"	.23"	4.38"							
YA34L-2TC14E2	1			1/4"	3/4"	1.52"	1.27"	.23"	3.44"							
YA34L-2TC38	1			3/8"	1"	1.52"	1.27"	.23"	3.88"							
YA34-2L	1			3/8"	1"	1.55"	1.27"	.23"	3.94"							
YA35-2L	1	550 kcmil	—	3/8"	1-1/8"	1.65"	1.69"	.25"	4.64"	—	—	—	U35RT (2)	Yellow	21	1-3/4"
YA35-2LN	1			1/2"	1-3/4"	1.65"	1.69"	.25"	—							
YA36-2LN	1			1/2"	1-3/4"	1.74"	1.38"	.27"	4.36"							
YA36L-2TC38	1	600 kcmil	300	3/8"	1"	1.73"	1.38"	.27"	4.23"	—	—	—	U36RT (2) U32ART (2)	Green	22	1-3/4"
YA37-2L	1			3/8"	1-1/8"	1.80"	1.39"	.27"	4.40"							
YA37-2LN	1	650 kcmil	—	1/2"	1-3/4"	1.80"	1.39"	.27"	5.27"	—	—	—	U37RT (2)	Orange	23	1-15/16"

-- Color code not assigned.
▲ See tooling section of this catalog for complete tool and die listings.
♦ For applications greater than 2000 volts consult cable manufacturer for voltage stress relief instructions.

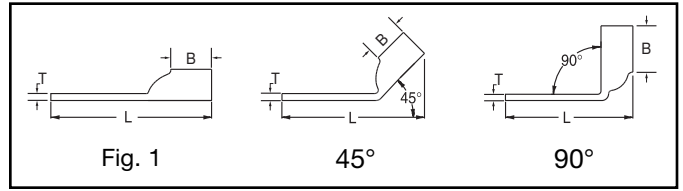
* Use PUADP-1 adapter with U dies in Y46 HYPRESS™.
** P-RT die sets for use in Y46 HYPRESS™ only, PUADP-1 adapter not required.
*** The MM² conductor sizes listed are the recommendations for Class 2 conductor.
Note: All dimensions shown are for reference only.

Blue highlighted items are industry standard and most frequently ordered.

**TWO HOLE HYLUG™
CODE CONDUCTOR
STANDARD BARREL**
(Continued)

UL Listed 90° C,
600 Volts to 35 kV ◆

45° and 90° angles are available.
Please contact Customer Service to order:
1-800-346-4175



C-33



Catalog Number	Fig #	Conductor		Stud Hole Size	Stud Hole Spacing	Tongue Width	Figure Dimensions			Dieless (# of crimps)	▲ Installation Tooling					Wire Strip Length	
		AWG	MM²				(B)	(T)	(L)		Mechanical MD6, OUR840, MD7-34R	Hydraulic		Color Code	Die Index		
												BCT500HS, Y500CTHS	Y35, Y39, Y750, Y46*, PAT750				
YA38-2L	1	700 kcmil	—	3/8"	1-1/8"	1.84"	1.45"	.27"	4.48"	Y644HS (1)	—	—	U38RT (2)	Pink	400	1-15/16"	
YA38-2LN	1			1/2"	1-3/4"	1.81"	1.45"	.27"	5.35"	Y81KFT (1)							
YA38L-2TC12	1			1/2"	1-1/2"	1.81"	1.45"	.27"	4.67"	Y81KFTMBH (1)							
YA38L-2TC38	1			3/8"	1"	1.81"	1.45"	.27"	4.35"	PAT81KFT-18V (1)							
YA39-2L	1	750 kcmil	—	3/8"	1-1/8"	1.91"	1.42"	.27"	4.48"	Y644HS (1)	—	—	U39RT (2) P39RT (2) **	Black	24	1-15/16"	
YA39-2LN	1			1/2"	1-3/4"	1.89"	1.42"	.27"	5.36"								Y81KFT (2)
YA39L-2TC12E3	1			1/2"	1-1/2"	1.89"	1.42"	.27"	4.92"								Y81KFTMBH (2)
YA39L-2TC38	1			3/8"	1"	1.89"	1.42"	.27"	4.36"								PAT81KFT-18V (2)
YA39L-2TC58	1	800 kcmil	400	5/8"	1-1/2"	1.89"	1.42"	.27"	5.17"	Y81KFTMBH (2)	—	—	P40RT (3) **	Orange	25	1-15/16"	
YA40-2L	1			3/8"	1-1/8"	1.98"	1.42"	.30"	4.63"								Y81KFTMBH (2)
YA40-2LN	1	850 kcmil	—	1/2"	1-3/4"	1.89"	1.42"	.30"	5.51"	PAT81KFT-18V (2)	—	—	—	Gold	26	1-15/16"	
YA40L-2TC38	1			3/8"	1"	1.95"	1.42"	.30"	4.51"								Y81KFTMBH (2)
YA41-2L	1	1000 kcmil	500	3/8"	1-1/8"	2.01"	1.88"	.31"	4.97"	PAT81KFT-18V (2)	—	—	P44RT (3) **	White	27	1-15/16"	
YA44-2LN	1			1/2"	1-3/4"	2.17"	1.65"	.33"	5.74"								Y81KFTMBH (2)
YA44-2L	1			1/2"	1-1/4"	2.19"	1.65"	.33"	5.24"								Y81KFTMBH (2)
YA44L-2TC12	1			1/2"	1-1/4"	2.17"	1.65"	.33"	5.05"								

-- Color code not assigned.
▲ See tooling section of this catalog for complete tool and die listings.
◆ For applications greater than 2000 volts consult cable manufacturer for voltage stress relief instructions.
* Use PUADP-1 adapter with U dies in Y46 HYPRESS™.

** P-RT die sets for use in Y46 HYPRESS™ only, PUADP-1 adapter not required.
*** The MM² conductor sizes listed are the recommendations for Class 2 conductor.
Note: All dimensions shown are for reference only.

Blue highlighted items are industry standard and most frequently ordered.