

# Light Emitting Diodes

High Power LEDs

ADLHP Series

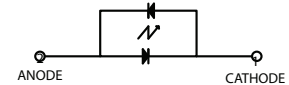
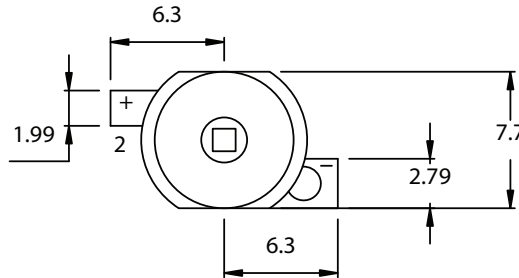
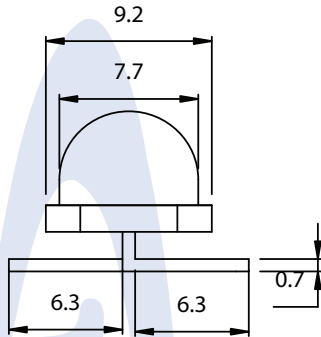


ADLHP2-8BC200-M1-M

RED

## INTRODUCTION

The Adiva High-Power LED has a wide range of applications and a uniquely designed shape and is encapsulated in water clear epoxy resin with an 8mm diameter.



## ABSOLUTE MAXIMUM RATINGS

Items	Symbols	Ratings	Unit
Operation Forward Current	$I_f$	150	mA
Dominant wavelength	$\lambda_D$	625	nm
Operating Temperature Range	$T_{Op}$	-25 ~ 80	C
Power Dissipation	$P_D$	0.3	W
Reverse Current	$I_{rz}$	10	mA
Storage Temp. Range	$T_s$	-30 ~ 100	C
Soldering Temperature	$T_{sol}$	* 240	C

## FEATURES

- High Luminous intensity, with a longer operation life.
- Excellent consistency on color, intensity and Forward Current.
- Low voltage DC operated.
- Excellent Solderability and resistance to soldering heat.
- High Reliability, 100% Probing Test.
- Low thermal resistance

## ELECTRICAL-OPTICAL CHARACTERISTICS

Parameter	Symbol	Test Condition	Min.	Typ.	Max.
Forward Voltage	$V_f$	$I_F=150mA$		2.1	
Reverse Current	$I_r$	$V_R=10V$			10
Luminous Intensity	$I_m$	$I_F=150mA$		12	

## SERIES STANDARD SPECIFICATIONS

Shape	Emitting Color	Part Number	Wavelength (nm)	Diffusion	IR( $\mu A$ ) VR=10V MAX	Luminous Intensity ( $I_m$ ) IF=150mA Typ	Emitting Material	Viewing Angle Q (deg.)
8 $\phi$	Red	ADLHP2-8BC200-M1-M	625	W.C.	10	12	InGaAlP	140

# Light Emitting Diodes

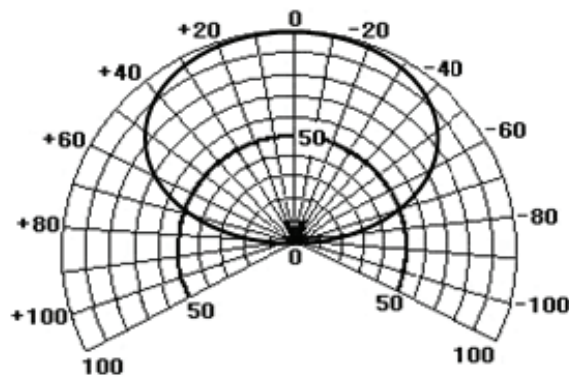
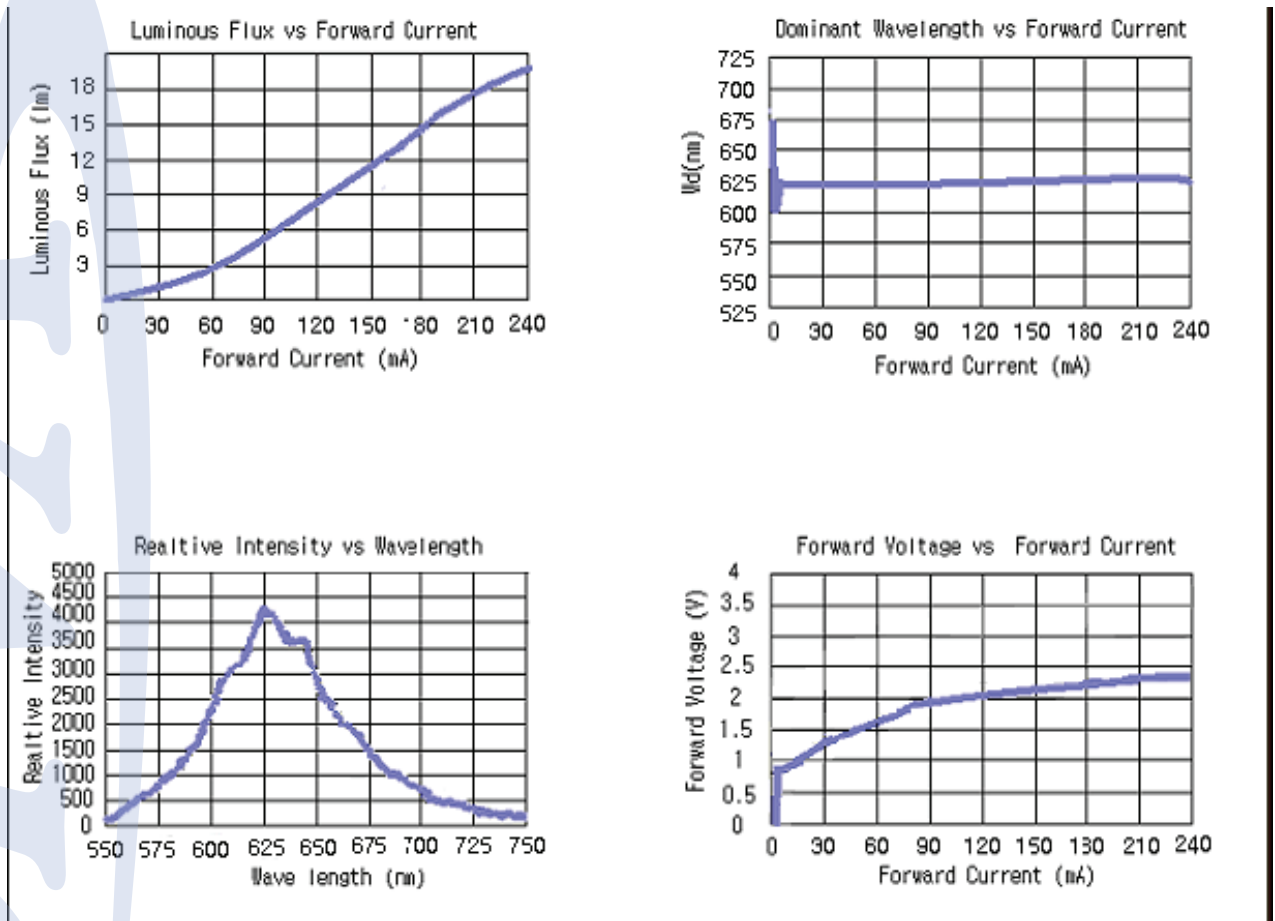
High Power

ADLHP Series



ADLHP2-8BC200-M1-M

RED



Directive Characteristics