

Light Emitting Diodes

High Power LEDs

ADLHP Series

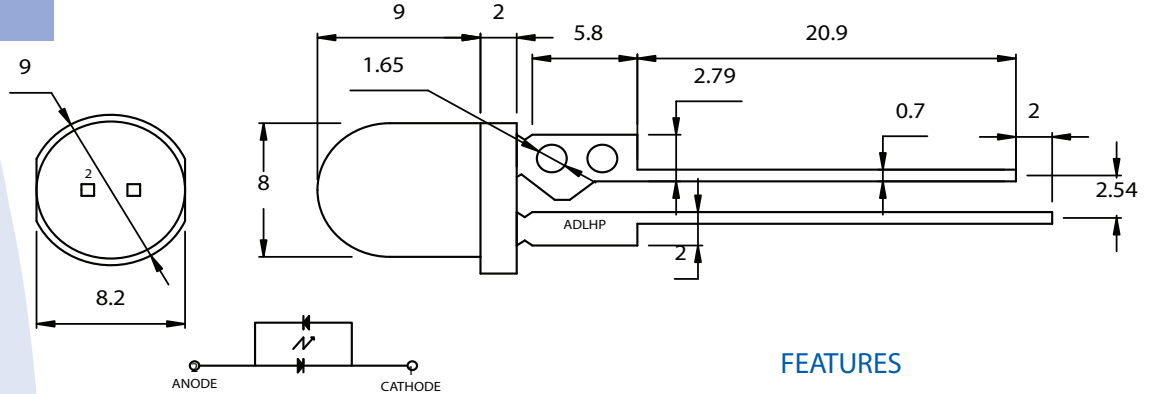


ADLHP3-83000-M1-L

GREEN

INTRODUCTION

The Adiva High-Power LED has a wide range of applications and a uniquely designed shape and is encapsulated in water clear epoxy resin with an 8mm diameter.



FEATURES

- High Luminous intensity, with a longer operation life.
- Excellent consistency on color, intensity and Forward Current.
- Low voltage DC operated.
- Excellent Solderability and resistance to soldering heat.
- High Reliability, 100% Probing Test.
- Low thermal resistance

ABSOLUTE MAXIMUM RATINGS

Items	Symbols	Ratings	Unit
Operation Forward Current	I_f	100	mA
Dominant wavelength	λ_D	520	nm
Operating Temperature Range	T_{Op}	-25 ~ 80	C
Power Dissipation	P_D	0.35	W
Reverse Current	I_{rZ}	10	mA
Storage Temp. Range	T_S	-30 ~ 100	C
Soldering Temperature	T_{sol}	* 260	C

ELECTRICAL-OPTICAL CHARACTERISTICS

Parameter	Symbol	Conditions	Min.	Typ.	Max.
Forward Voltage	V_f	$I_F=100mA$		3.4	
Reverse Current	I_r	$V_R=10V$			10
Luminous Intensity	I_m	$I_F=100mA$		19	

SERIES STANDARD SPECIFICATIONS

Shape	Emitting Color	Part Number	Wavelength (nm)	Diffusion	IR(μA) VR=5V MAX	Luminous Intensity (I_m) IF=100mA Typ	Emitting Material	Viewing Angle Q (deg.)
8 ϕ	Green	ADLHP3-8C200-M1-L	520	W.C.	10	19	InGaN	30

KELVIN RATINGS

Bin Ranking	a	b	c	Unit
λ_D	520 - 523	523 - 526	526 - 530	nm

Light Emitting Diodes

High Power

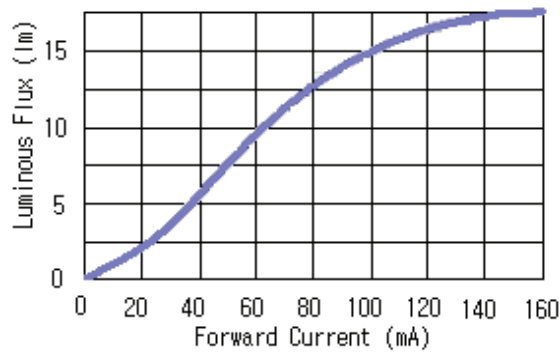
ADLHP Series



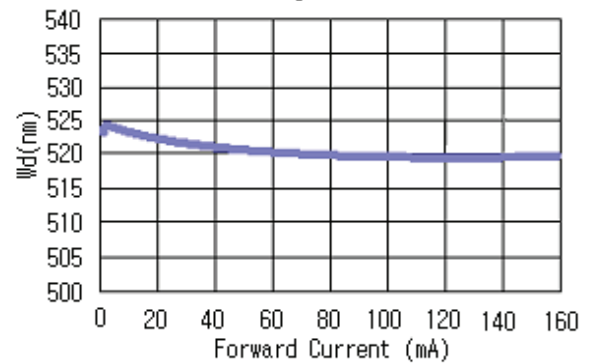
ADLHP3-83000-M1-L

GREEN

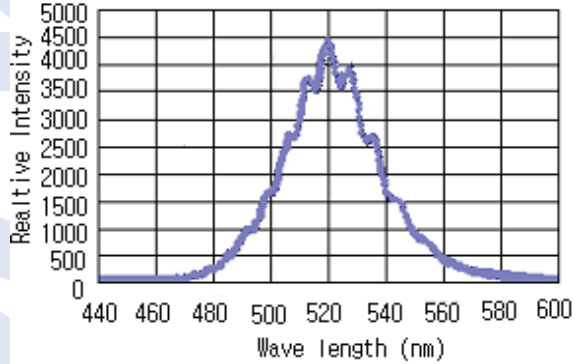
Luminous Flux vs Forward Current



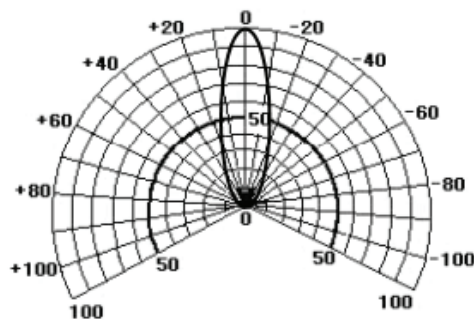
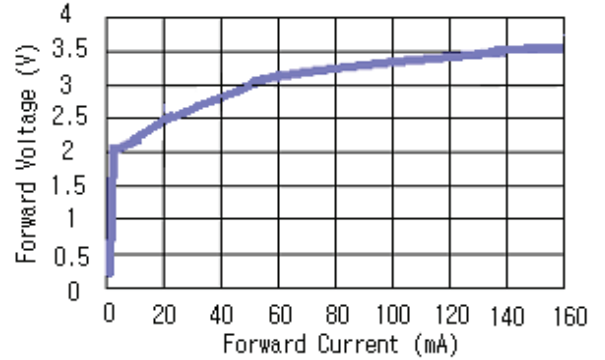
Dominant Wavelength vs Forward Current



Relative Intensity vs Wavelength



Forward Voltage vs Forward Current



Directive Characteristics