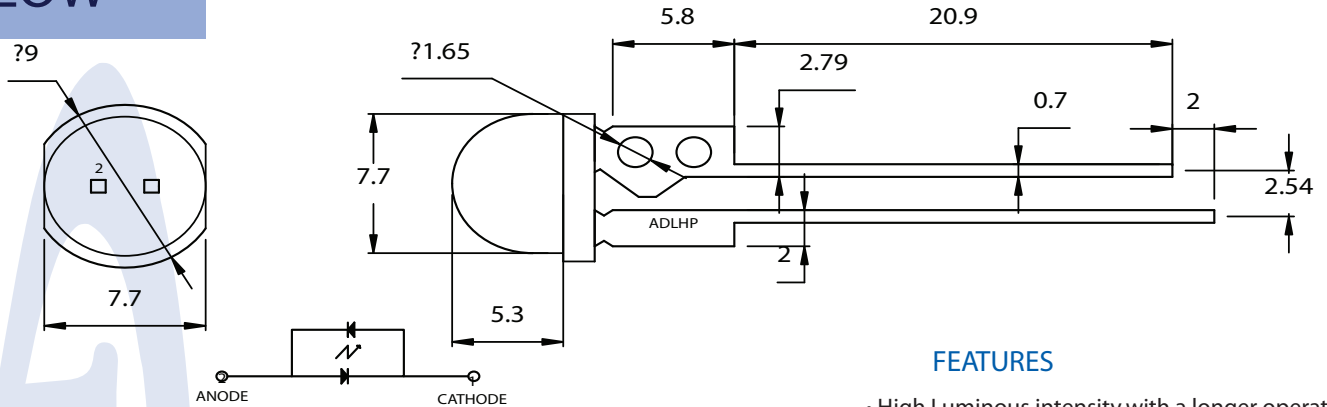


ADLHP4-8C400-M1

YELLOW

INTRODUCTION

The Adiva High-Power LED has a wide range of applications and a uniquely designed shape and is encapsulated in water clear epoxy resin with an 8mm diameter.



ABSOLUTE MAXIMUM RATINGS

Items	Symbols	Ratings	Unit
Operation Forward Current	I_f	200	mA
Dominant wavelength	λ_D	591	nm
Operating Temperature Range	T_{Op}	-25 ~ 80	C
Power Dissipation	P_D	0.4	W
Reverse Voltage	V_R	5	V
Storage Temp. Range	T_S	-30 ~ 100	C
Soldering Temperature	T_{sol}	* 240	C

FEATURES

- High Luminous intensity, with a longer operation life.
- Excellent consistency on color, intensity and Forward Current.
- Low voltage DC operated.
- Excellent Solderability and resistance to soldering heat.
- High Reliability, 100% Probing Test.
- Low thermal resistance

ELECTRICAL-OPTICAL CHARACTERISTICS

Parameter	Symbol	Conditions	Min.	Typ.	Max.
Forward Voltage	V_f	$I_F=200mA$		2.1	
Reverse Current	I_r	$V_R=10V$			10
Luminous Flux	I_m	$I_F=200mA$		19	

SERIES STANDARD SPECIFICATIONS

Shape	Emitting Color	Part Number	Wavelength (nm)	Diffusion	IR(μA) $V_R=10V$		Luminous Intensity (I_m) $I_F=200mA$ Typ	Emitting Material	Viewing Angle Q (deg.)
					MAX	Min			
8 ϕ	Yellow	ADLHP4-8C200M1	591	W.C.	10	2	19	AlGaInP	140

Rank	a	b	c	Unit
λ_D	587 - 590	590 - 593	593 - 596	nm

Light Emitting Diodes

High Power

ADLHP Series



ADLHP4-8C200-M1

YELLOW

