

# Light Emitting Diodes

Surface Mount LEDs

ADLSM Series

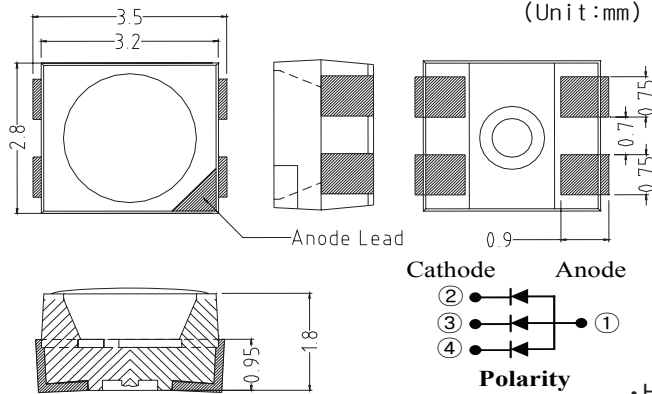
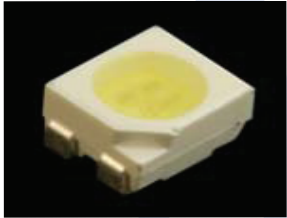


ADLSM0-3528-C200-L2

## INTRODUCTION

The Adiva Surface Mount LED has a wide range of applications and a very small size enabling it to be used in a variety of advanced technological equipment such as cellular phones, PDAs, camera flashes and hand carrier flashes.

WHITE



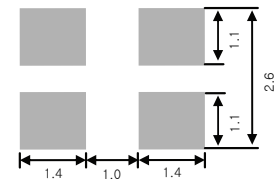
## ABSOLUTE MAXIMUM RATINGS

Items	Symbols	Ratings	Unit
Operation Forward Current	$I_f$	20	mA
Dominant wavelength	$\lambda_D$	.31/.34	nm
Operating Temperature Range	$T_{Op}$	-25 ~ 80	C
Power Dissipation	$P_D$	75	mW
Reverse Voltage	$V_r$	5	V
Storage Temp. Range	$T_s$	-30 ~ 100	C
Soldering Temperature	$T_{sol}$	* 240	C

## FEATURES

- High Luminous intensity, with a longer operation life.
- Excellent consistency on color, intensity and Forward Current.
- Low voltage DC operated.
- Excellent Solderability and resistance to soldering heat.
- High Reliability, 100% Probing Test.
- Low thermal resistance

## RECOMMENDED SOLDERING PATTERN



## ELECTRICAL-OPTICAL CHARACTERISTICS

Parameter	Symbol (unit)	Conditions	Min.	Typ.	Max.
Forward Voltage	$V_f$ (V)	IF=20mA	3.0	--	3.8
Reverse Current	$I_r$ (uA)	VR=5V	--	--	100
Luminous Intensity	IV (cd)	IF=20mA	3.5	4.0	--

## SERIES STANDARD SPECIFICATIONS

Shape	Emitting Color	Part Number	Wavelength (nm)	Diffusion	IR(μA) VR=10V MAX	Luminous Intensity (cd) IF=20mA Typ	Emitting Material	Viewing Angle Q (deg.)
3528	White	ADLSM0-3528-C200-L2	(0.31/.34)	W.C.	10	4.0	InGaAlN	120

## TAPING OUTLINE DIMENSIONS

