

Light Emitting Diodes

Surface Mount LEDs

ADLSM Series

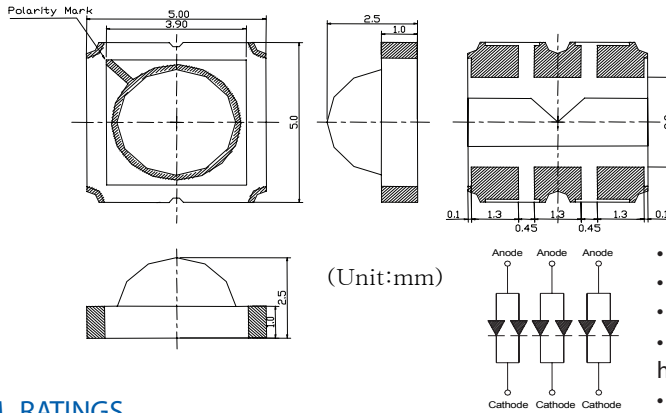


ADLSM0-5050-C200-L5

INTRODUCTION

WHITE

The Adiva Surface Mount LED has a wide range of applications and a very small size enabling it to be used in a variety of advanced technological equipment such as cellular phones, PDAs, portable MP3 players and indicator lights. The brightness makes it a perfect choice for cellphone camera flashes.



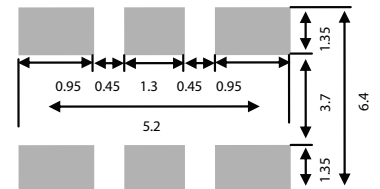
FEATURES

- High Luminous intensity, with a longer operation life.
- Built-in 6 chip super luminosity - White color
- Ceramic package
- Excellent Solderability and resistance to soldering heat.
- High Reliability, 100% Probing Test.
- Low thermal resistance

ABSOLUTE MAXIMUM RATINGS

Items	Symbols	Ratings	Unit
Operation Forward Current	I_f	20	mA
Dominant wavelength	λ_D	0.31/0.35	coord.
Operating Temperature Range	T_{Op}	-25 ~ 80	C
Power Dissipation	P_D	75	mW
Reverse Voltage	V_r	5	V
Storage Temp. Range	T_s	-30 ~ 100	C
Soldering Temperature	T_{sol}	* 240	C

RECOMMENDED SOLDERING PATTERN



ELECTRICAL-OPTICAL CHARACTERISTICS

Parameter	Symbol	Conditions	Min.	Typ.	Max.
Forward Voltage	V_f	IF=40mA	--	3.2	--
Wavelength	coord.	IF=120mA	0.29/0.315		0.33/0.385
Luminous Intensity	I_m	IF=120mA	9.0	10.0	--

SERIES STANDARD SPECIFICATIONS

Shape	Emitting Color	Part Number	Wavelength (nm)	Diffusion	IR(μ A) VR=10V MAX	Luminous Intensity (I_m) IF=120mA Typ	Emitting Material	Viewing Angle Θ (deg.)
5050	White	ADLSM0-5050-C200-L5	(0.31/.35)	W.C.	100	10.0	AlGaInP	120

TAPING OUTLINE DIMENSIONS

