

# Power Inductors

Surface Mount

ADS2038A Series

## ADS2038A (BACK LIGHT)



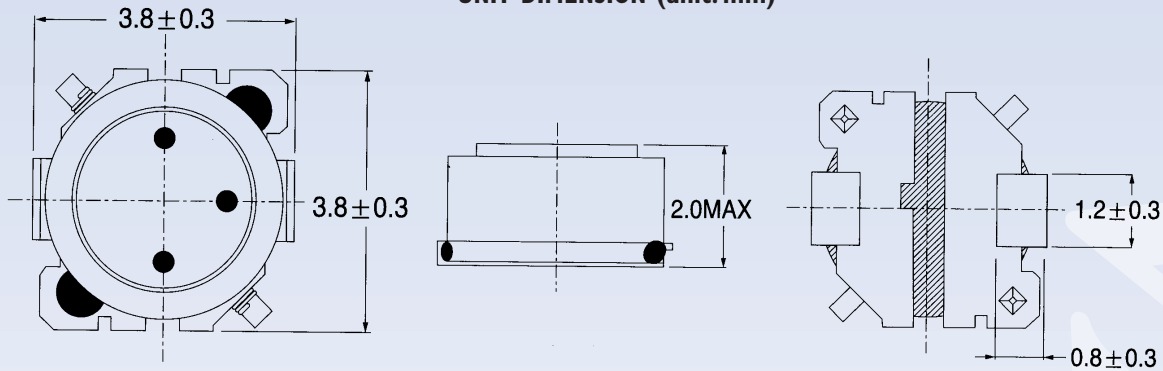
### FEATURES

- Surface mountable device.
- Low Profile.
- Excellent performance & cost effective.
- Tape & Reel for auto-placement.
- Applicable for DC-DC converter.

### BENEFITS

Frequency Range: 0.1 ~ 100 MHz  
 Inductance Range: 1.0 ~ 4.7 mH  
 Tested: 100 KHz and 0.05V  
 Temperature Rise:  $\leq 30^{\circ}\text{C}$  at rated current  
 Operating Temperature Range:  $-40^{\circ}\text{C}$  to  $+85^{\circ}\text{C}$

### UNIT DIMENSION (unit: mm)



### STANDARD SPECIFICATIONS

PACKAGE TYPE	INDUCTANCE ( $\mu\text{H} \pm 20\%$ )	DC RESISTANCE ( $\Omega$ ) max.	RATED CURRENT (A) max.
ADS2038A-102 □	1.0	4.5	100
ADS2038A-152 □	1.5	7.5	80
ADS2038A-222 □	2.2	10	70
ADS2038A-332 □	3.3	16	50
ADS2038A-472 □	4.7	25	40