

## ADS2060A



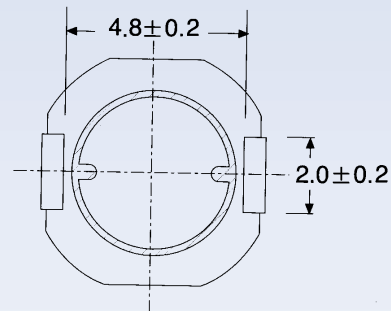
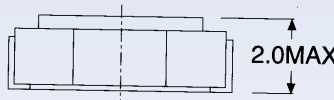
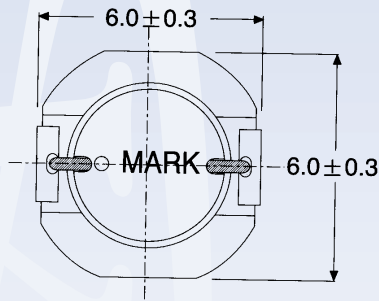
### FEATURES

- Surface mountable device.
- Low Profile.
- Excellent performance & cost effective.
- Tape & Reel for auto-placement.
- Applicable for DC-DC converter.

### BENEFITS

Frequency Range: 0.1 ~ 10 MHz  
 Inductance Range: 1.0 ~ 33  $\mu$ H  
 Tested: 100 KHz and 0.1V  
 Operating Temperature Range: -40°C to +85°C  
 Inductance measured by HP 4194A, impedance and gain phase analyzer.  
 Inductance Drop 10% at rated current

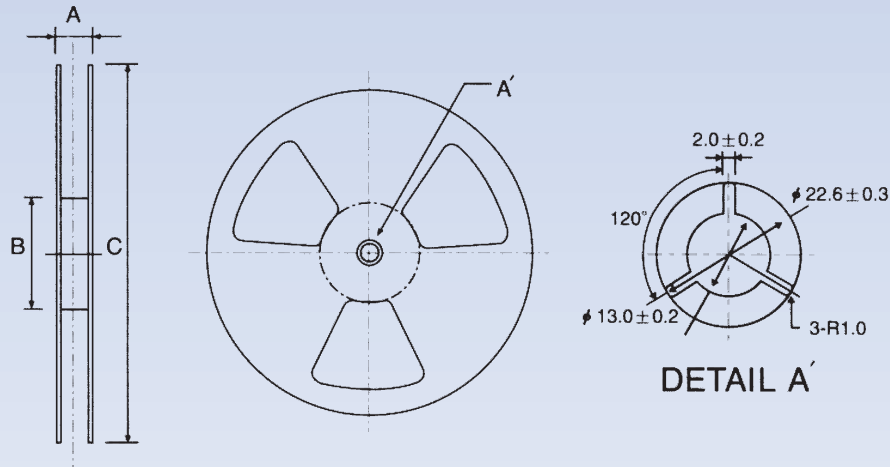
### UNIT DIMENSION (unit: mm)



### STANDARD SPECIFICATIONS

PACKAGE TYPE	INDUCTANCE ( $\mu$ H $\pm$ 20%)	DC RESISTANCE ( $\Omega$ ) max.	RATED CURRENT (A) max.
ADS2060A-102 □	1.0	0.030	3.60
ADS2060A-152 □	1.5	0.040	3.00
ADS2060A-222 □	2.2	0.050	2.40
ADS2060A-332 □	3.3	0.060	1.90
ADS2060A-472 □	4.7	0.075	1.60
ADS2060A-682 □	6.8	0.090	1.40
ADS2060A-822 □	8.2	0.096	1.00
ADS2060A-103 □	10	0.118	1.00
ADS2060A-223 □	22	0.300	0.70
ADS2060A-333 □	33	0.400	0.60

# Tape & Reel Specifications



XTAL

OSC

VCXO  
VCOTCXO  
VCTCXO

FLTR

RES

IND

## SPECIFICATIONS

PACKAGE TYPE	A	B	C	D	E	F	G	H	I	J	QTY/REEL
ADO2060A	16.4	330	330	16	3.2	4	8	200	12000	400	2700
ADO1608CA	16.4	60	330	16	3	4	8	200	20000	400	2000
ADT1608CA	16.4	60	330	16	3	4	8	200	20000	400	2000
ADS1608CA	16.4	60	330	16	3	4	8	200	20000	400	2000
ADO3308PA	24.4	100	330	24	3.2	4	12	200	1800	400	1500
ADO3316PA	24.4	100	330	24	5	4	12	200	12000	400	1000
ADS3316PA	24.4	100	330	24	5	4	12	200	12000	400	1000
ADO3340PA	24.4	100	330	24	11	4	16	200	4000	400	250
ADO5022PA	32.4	330	330	32	6.9	4	24	200	7200	400	350
ADS5022PA	32.4	330	330	32	6.9	4	24	200	7200	400	350
ADO7032A	16.4	60	330	16	3.4	4	12	200	20400	400	1700
ADS127A	24.4	100	330	24	7.9	4	16	200	7200	400	450
ADS125A	24.4	100	330	24	6.1	4	16	200	10400	400	650
ADO43A	16.4	60	330	16	3.4	4	8	200	19200	400	2000
ADO54A	16.4	60	330	16	4.7	4	12	200	14400	400	1200
ADO75A	16.4	60	330	16	5.4	4	12	200	12000	400	1000
ADO105A	16.4	60	330	16	5.8	4	12	200	12000	400	1000
ADTISM-4	16.4	330	330	16	3.2	4	8	200	12000	400	2700
ADTISM-3	12.4	330	330	12	2.4	4	8	200	24000	400	3000
ADDLCSM-507I	24.4	100	330	24	5.9	4	12	200	12000	400	1500
ADDLCSM-581I	24.4	100	330	24	5.9	4	12	200	12000	400	900

INDUCTORS