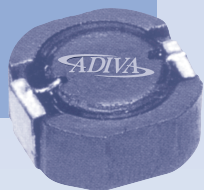


Power Inductors

Surface Mount

ADS3060A Series

ADS3060A



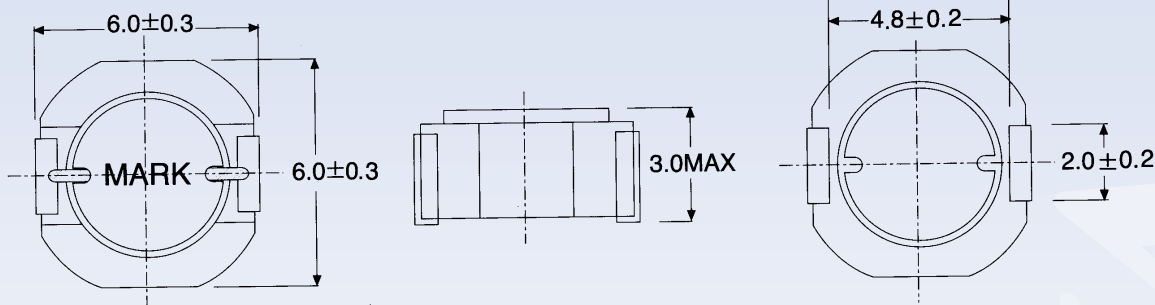
FEATURES

- Surface mountable device.
- Low Profile.
- Excellent performance & cost effective.
- Tape & Reel for auto-placement.
- Applicable for DC-DC converter.

BENEFITS

Frequency Range: 0.1 ~ 10 MHz
 Inductance Range: 4.7 ~ 100 μ H
 Tested: 100 KHz and 0.05V
 Operating Temperature Range: -40°C to +85°C
 Inductance measured by HP 4194A, impedance and gain phase analyzer
 Inductance Drop 10% at rated current

UNIT DIMENSION (unit: mm)



STANDARD SPECIFICATIONS

PACKAGE TYPE	INDUCTANCE (μ H \pm 20%)	DC RESISTANCE (Ω) max.	RATED CURRENT (A) max.
ADS3060A-472 □	4.7	0.08	2.0
ADS3060A-682 □	6.8	0.10	1.7
ADS3060A-103 □	10	0.13	1.40
ADS3060A-153 □	15	0.15	1.20
ADS3060A-223 □	22	0.18	1.00
ADS3060A-333 □	33	0.30	0.80
ADS3060A-473 □	47	0.40	0.65
ADS3060A-683 □	68	0.60	0.50
ADS3060A-104 □	100	0.90	0.40

XTAL

OSC

VCXO
VCO

TCXO
VCTCXO

FLTR

RES

IND

INDUCTORS