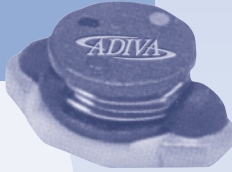


### ADO1608CA (BACK LIGHT)



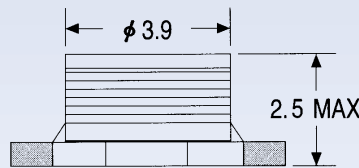
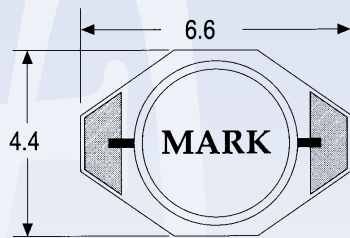
#### FEATURES

- Surface mountable device.
- Low Profile.
- Excellent performance & cost effective.
- Tape & Reel for auto-placement.
- Applicable for DC-DC converter and back-light.

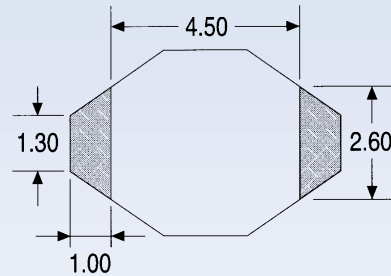
#### BENEFITS

Frequency Range:	0.1 ~ 1 MHz
Inductance Range:	1.0 ~ 4700 $\mu$ H
Tested:	100 KHz and 0.05V
Operating Temperature Range:	-40°C to +85°C
Inductance	measured by HP 4194A, impedance and gain phase analyzer.
Inductance Drop	10% at rated current

#### UNIT DIMENSION (unit: mm)



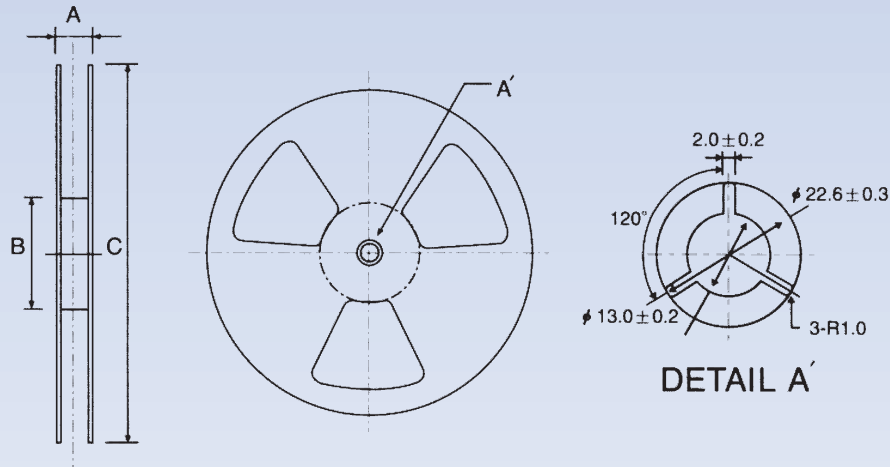
tolerance :  $\pm 0.2$



#### STANDARD SPECIFICATIONS

PACKAGE TYPE	INDUCTANCE ( $\mu$ H $\pm 20\%$ ) max.	DC RESISTANCE ( $\Omega$ ) max.	RATED CURRENT (A)
ADO1608CA-102 □	1.0	0.050	2.9
ADO1608CA-152 □	1.5	0.065	2.5
ADO1608CA-222 □	2.2	0.075	2.1
ADO1608CA-332 □	3.3	0.085	1.7
ADO1608CA-472 □	4.7	0.110	1.4
ADO1608CA-682 □	6.8	0.140	1.2
ADO1608CA-103 □	10	0.16	1.00
ADO1608CA-153 □	15	0.25	0.80
ADO1608CA-223 □	22	0.37	0.68
ADO1608CA-333 □	33	0.51	0.54
ADO1608CA-473 □	47	0.87	0.45
ADO1608CA-683 □	68	1.10	0.38
ADO1608CA-104 □	100	1.7	0.30
ADO1608CA-154 □	150	2.3	0.25
ADO1608CA-224 □	220	3.4	0.20
ADO1608CA-334 □	330	5.1	0.17
ADO1608CA-474 □	470	8.8	0.14
ADO1608CA-689 □	680	14.0	0.12
ADO1608CA-105 □	1000	18.0	0.09
ADO1608CA-475 □	4700	80.0	0.05

# Tape & Reel Specifications



XTAL

OSC

VCXO  
VCOTCXO  
VCTCXO

FLTR

RES

IND

## SPECIFICATIONS

PACKAGE TYPE	A	B	C	D	E	F	G	H	I	J	QTY/REEL
ADO2060A	16.4	330	330	16	3.2	4	8	200	12000	400	2700
ADO1608CA	16.4	60	330	16	3	4	8	200	20000	400	2000
ADT1608CA	16.4	60	330	16	3	4	8	200	20000	400	2000
ADS1608CA	16.4	60	330	16	3	4	8	200	20000	400	2000
ADO3308PA	24.4	100	330	24	3.2	4	12	200	1800	400	1500
ADO3316PA	24.4	100	330	24	5	4	12	200	12000	400	1000
ADS3316PA	24.4	100	330	24	5	4	12	200	12000	400	1000
ADO3340PA	24.4	100	330	24	11	4	16	200	4000	400	250
ADO5022PA	32.4	330	330	32	6.9	4	24	200	7200	400	350
ADS5022PA	32.4	330	330	32	6.9	4	24	200	7200	400	350
ADO7032A	16.4	60	330	16	3.4	4	12	200	20400	400	1700
ADS127A	24.4	100	330	24	7.9	4	16	200	7200	400	450
ADS125A	24.4	100	330	24	6.1	4	16	200	10400	400	650
ADO43A	16.4	60	330	16	3.4	4	8	200	19200	400	2000
ADO54A	16.4	60	330	16	4.7	4	12	200	14400	400	1200
ADO75A	16.4	60	330	16	5.4	4	12	200	12000	400	1000
ADO105A	16.4	60	330	16	5.8	4	12	200	12000	400	1000
ADTISM-4	16.4	330	330	16	3.2	4	8	200	12000	400	2700
ADTISM-3	12.4	330	330	12	2.4	4	8	200	24000	400	3000
ADDLCSM-507I	24.4	100	330	24	5.9	4	12	200	12000	400	1500
ADDLCSM-581I	24.4	100	330	24	5.9	4	12	200	12000	400	900

INDUCTORS