

Power Inductors

Surface Mount

ADTI608CA Series

ADTI608CA



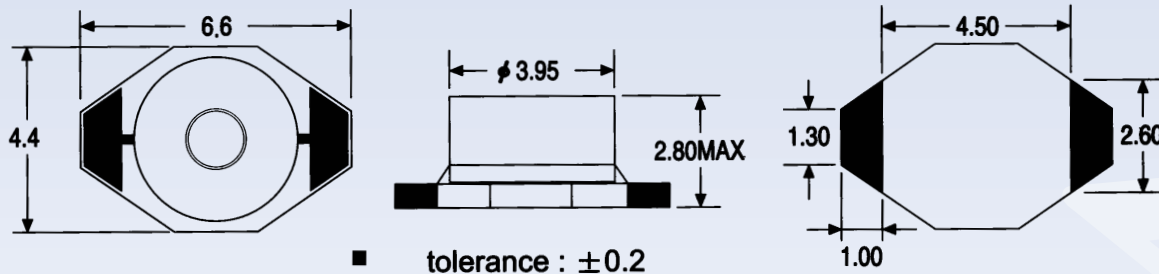
FEATURES

- Surface mountable device.
- Low Profile.
- Excellent performance & cost effective.
- Tape & Reel for auto-placement.
- Applicable for DC-DC converter.

BENEFITS

- Frequency Range: 0.1 ~ 1 MHz
- Inductance Range: 1.0 ~ 4700 μ H
- Tested: 100 KHz and 0.05V
- Operating Temperature Range: -40°C to +85°C
- Inductance: measured by HP 4194A, impedance and gain phase analyzer
- Inductance Drop: \geq Rated L at rated current

UNIT DIMENSION (unit: mm)



STANDARD SPECIFICATIONS

PACKAGE TYPE	INDUCTANCE* (μ H $\pm 20\%$)	DC RESISTANCE (Ω) max.	RATED L	
			(μ H) min.	RATED CURRENT (A) max.
ADTI608CA-102 □	1.0	0.045	0.6	2.21
ADTI608CA-152 □	1.5	0.050	0.8	1.80
ADTI608CA-222 □	2.2	0.060	0.9	1.49
ADTI608CA-332 □	3.3	0.070	1.5	1.21
ADTI608CA-472 □	4.7	0.080	2.0	1.02
ADTI608CA-682 □	6.8	0.085	3.0	0.84
ADTI608CA-103 □	10	0.095	5.0	0.70
ADTI608CA-153 □	15	0.135	6.0	0.57
ADTI608CA-223 □	22	0.160	10	0.47
ADTI608CA-333 □	33	0.275	12	0.38
ADTI608CA-473 □	47	0.550	20	0.32
ADTI608CA-683 □	68	0.575	30	0.26
ADTI608CA-104 □	100	1.10	40	0.220
ADTI608CA-154 □	150	1.40	60	0.180
ADTI608CA-224 □	220	2.25	90	0.150
ADTI608CA-334 □	330	2.90	100	0.120
ADTI608CA-474 □	470	4.30	150	0.100
ADTI608CA-684 □	680	5.40	200	0.080
ADTI608CA-105 □	1000	8.80	400	0.070
ADTI608CA-225 □	2200	17.0	1000	0.047
ADTI608CA-475 □	4700	40.0	1500	0.035

XTAL

OSC

VCXO
VCO

TCXO
VCTCXO

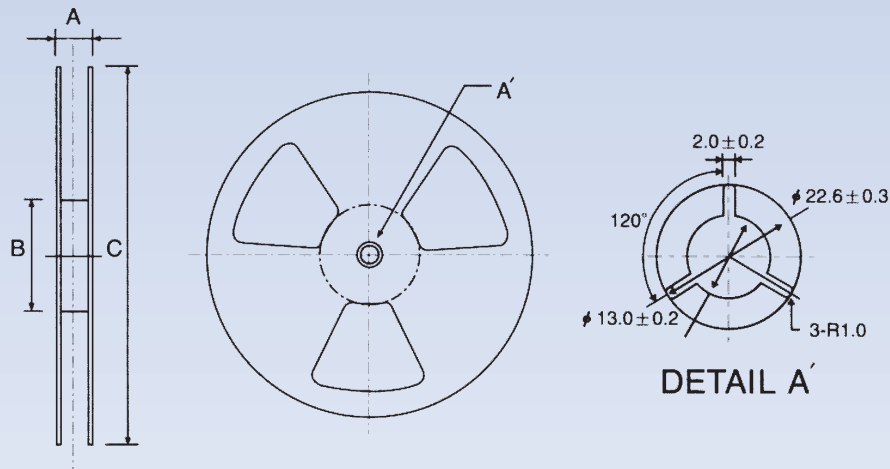
FLTR

RES

IND

INDUCTORS

Tape & Reel Specifications



XTAL

OSC

VCXO
VCOTCXO
VCTCXO

FLTR

RES

IND

SPECIFICATIONS

PACKAGE TYPE	A	B	C	D	E	F	G	H	I	J	QTY/REEL
ADO2060A	16.4	330	330	16	3.2	4	8	200	12000	400	2700
ADO1608CA	16.4	60	330	16	3	4	8	200	20000	400	2000
ADT1608CA	16.4	60	330	16	3	4	8	200	20000	400	2000
ADS1608CA	16.4	60	330	16	3	4	8	200	20000	400	2000
ADO3308PA	24.4	100	330	24	3.2	4	12	200	1800	400	1500
ADO3316PA	24.4	100	330	24	5	4	12	200	12000	400	1000
ADS3316PA	24.4	100	330	24	5	4	12	200	12000	400	1000
ADO3340PA	24.4	100	330	24	11	4	16	200	4000	400	250
ADO5022PA	32.4	330	330	32	6.9	4	24	200	7200	400	350
ADS5022PA	32.4	330	330	32	6.9	4	24	200	7200	400	350
ADO7032A	16.4	60	330	16	3.4	4	12	200	20400	400	1700
ADS127A	24.4	100	330	24	7.9	4	16	200	7200	400	450
ADS125A	24.4	100	330	24	6.1	4	16	200	10400	400	650
ADO43A	16.4	60	330	16	3.4	4	8	200	19200	400	2000
ADO54A	16.4	60	330	16	4.7	4	12	200	14400	400	1200
ADO75A	16.4	60	330	16	5.4	4	12	200	12000	400	1000
ADO105A	16.4	60	330	16	5.8	4	12	200	12000	400	1000
ADTISM-4	16.4	330	330	16	3.2	4	8	200	12000	400	2700
ADTISM-3	12.4	330	330	12	2.4	4	8	200	24000	400	3000
ADDLCSM-507I	24.4	100	330	24	5.9	4	12	200	12000	400	1500
ADDLCSM-581I	24.4	100	330	24	5.9	4	12	200	12000	400	900

INDUCTORS