

ADSI608CA (BACK LIGHT)



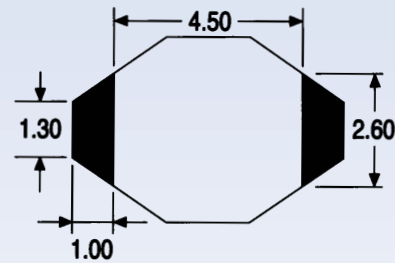
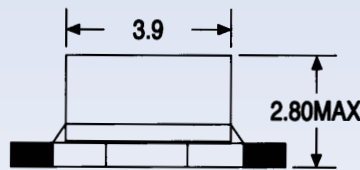
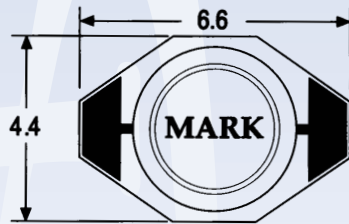
FEATURES

- Surface mountable device.
- Low Profile.
- Excellent performance & cost effective.
- Tape & Reel for auto-placement.
- Applicable for DC-DC converter.

BENEFITS

- | | |
|------------------------------|--|
| Frequency Range: | 0.1 ~ 1 MHz |
| Inductance Range: | 1.0 ~ 1000 μ H |
| Tested: | 100 KHz and 0.05V |
| Operating Temperature Range: | -40°C to +85°C |
| Inductance Drop | $\leq 30^\circ\text{C}$ at rated current |

UNIT DIMENSION (unit: mm)

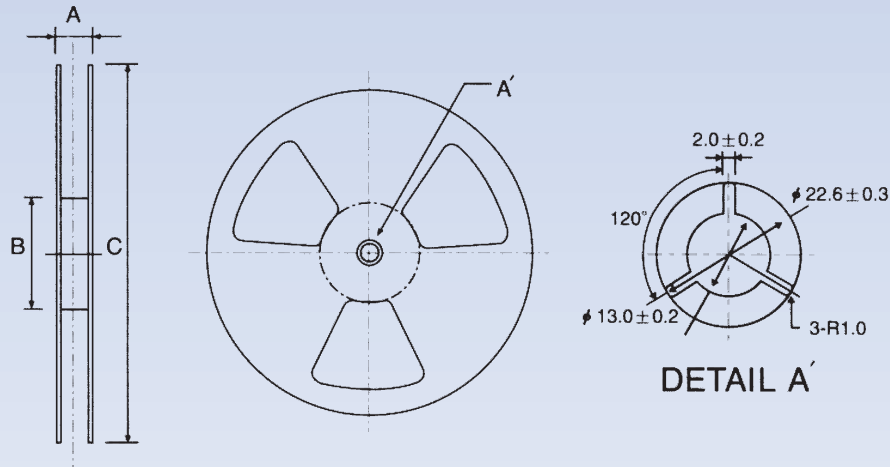


tolerance : ± 0.2

STANDARD SPECIFICATIONS

PACKAGE TYPE	INDUCTANCE ($\mu\text{H} \pm 20\%$)	DC RESISTANCE (Ω) max.	RATED CURRENT (A) max
ADSI608CA-102 □	1.0	0.040	3.0
ADSI608CA-152 □	1.5	0.045	2.8
ADSI608CA-222 □	2.2	0.050	1.8
ADSI608CA-332 □	3.3	0.055	1.6
ADSI608CA-472 □	4.7	0.060	1.4
ADSI608CA-682 □	6.8	0.065	1.2
ADSI608CA-103 □	10	0.075	1.00
ADSI608CA-153 □	15	0.090	0.80
ADSI608CA-223 □	22	0.110	0.70
ADSI608CA-333 □	33	0.190	0.60
ADSI608CA-473 □	47	0.230	0.50
ADSI608CA-683 □	68	0.290	0.40
ADSI608CA-104 □	100	0.48	0.30
ADSI608CA-154 □	150	0.59	0.26
ADSI608CA-224 □	220	0.77	0.22
ADSI608CA-334 □	330	1.40	0.20
ADSI608CA-474 □	470	1.80	0.19
ADSI608CA-684 □	680	2.20	0.18
ADSI608CA-105 □	1000	3.40	0.15

Tape & Reel Specifications



SPECIFICATIONS

PACKAGE TYPE	A	B	C	D	E	F	G	H	I	J	QTY/REEL
ADO2060A	16.4	330	330	16	3.2	4	8	200	12000	400	2700
ADO1608CA	16.4	60	330	16	3	4	8	200	20000	400	2000
ADT1608CA	16.4	60	330	16	3	4	8	200	20000	400	2000
ADS1608CA	16.4	60	330	16	3	4	8	200	20000	400	2000
ADO3308PA	24.4	100	330	24	3.2	4	12	200	1800	400	1500
ADO3316PA	24.4	100	330	24	5	4	12	200	12000	400	1000
ADS3316PA	24.4	100	330	24	5	4	12	200	12000	400	1000
ADO3340PA	24.4	100	330	24	11	4	16	200	4000	400	250
ADO5022PA	32.4	330	330	32	6.9	4	24	200	7200	400	350
ADS5022PA	32.4	330	330	32	6.9	4	24	200	7200	400	350
ADO7032A	16.4	60	330	16	3.4	4	12	200	20400	400	1700
ADS127A	24.4	100	330	24	7.9	4	16	200	7200	400	450
ADS125A	24.4	100	330	24	6.1	4	16	200	10400	400	650
ADO43A	16.4	60	330	16	3.4	4	8	200	19200	400	2000
ADO54A	16.4	60	330	16	4.7	4	12	200	14400	400	1200
ADO75A	16.4	60	330	16	5.4	4	12	200	12000	400	1000
ADO105A	16.4	60	330	16	5.8	4	12	200	12000	400	1000
ADTISM-4	16.4	330	330	16	3.2	4	8	200	12000	400	2700
ADTISM-3	12.4	330	330	12	2.4	4	8	200	24000	400	3000
ADDLCSM-507I	24.4	100	330	24	5.9	4	12	200	12000	400	1500
ADDLCSM-581I	24.4	100	330	24	5.9	4	12	200	12000	400	900

XTAL

OSC

VCXO
VCO

TCXO
VCTCXO

FLTR

RES

IND

INDUCTORS