

Power Inductors

Surface Mount

ADO3308PA Series

ADO3308PA



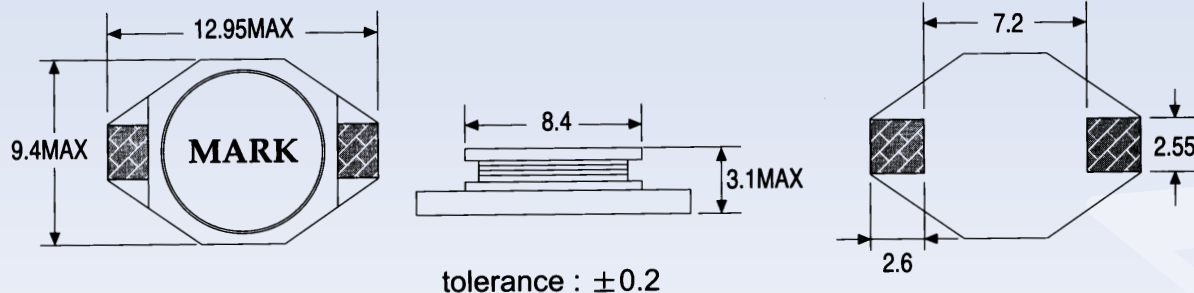
FEATURES

- Surface mountable device.
- Low Profile.
- Excellent performance & cost effective.
- Tape & Reel for auto-placement.
- Applicable for DC-DC converter and backlight

BENEFITS

Frequency Range: 0.1 ~ 10 MHz
 Inductance Range: 4.7 ~ 1000 μ H
 Tested: 100 KHz and 0.05V
 Operating Temperature Range: -40°C to +85°C
 Inductance measured by HP 4194A, impedance and gain phase analyzer
 Inductance Drop 10% at rated current

UNIT DIMENSION (unit: mm)



STANDARD SPECIFICATIONS

PACKAGE TYPE	INDUCTANCE (μ H $\pm 20\%$)	DC RESISTANCE (Ω) max.	RATED CURRENT (A) max.
ADO3308PA-472 □	4.7	0.05	3.10
ADO3308PA-103 □	10	0.11	2.15
ADO3308PA-153 □	15	0.15	1.80
ADO3308PA-223 □	22	0.23	1.45
ADO3308PA-333 □	33	0.30	1.20
ADO3308PA-473 □	47	0.39	1.00
ADO3308PA-683 □	68	0.66	0.80
ADO3308PA-104 □	100	0.84	0.68
ADO3308PA-154 □	150	1.20	0.55
ADO3308PA-224 □	220	1.90	0.45
ADO3308PA-334 □	330	2.70	0.37
ADO3308PA-474 □	470	4.00	0.30
ADO3308PA-684 □	680	5.3	0.2
ADO3308PA-105 □	1000	8.4	0.1

XTAL

OSC

VCXO
VCOTCXO
VCTCXO

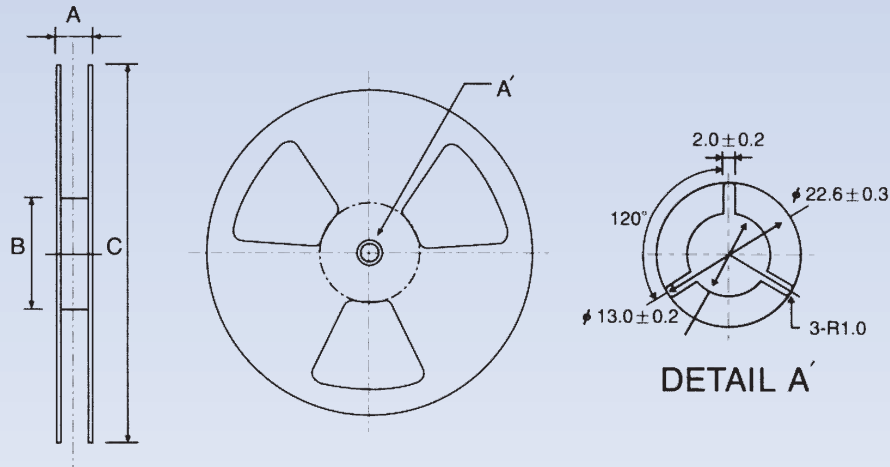
FLTR

RES

IND

INDUCTORS

Tape & Reel Specifications



XTAL

OSC

VCXO
VCOTCXO
VCTCXO

FLTR

RES

IND

SPECIFICATIONS

PACKAGE TYPE	A	B	C	D	E	F	G	H	I	J	QTY/REEL
ADO2060A	16.4	330	330	16	3.2	4	8	200	12000	400	2700
ADO1608CA	16.4	60	330	16	3	4	8	200	20000	400	2000
ADT1608CA	16.4	60	330	16	3	4	8	200	20000	400	2000
ADS1608CA	16.4	60	330	16	3	4	8	200	20000	400	2000
ADO3308PA	24.4	100	330	24	3.2	4	12	200	1800	400	1500
ADO3316PA	24.4	100	330	24	5	4	12	200	12000	400	1000
ADS3316PA	24.4	100	330	24	5	4	12	200	12000	400	1000
ADO3340PA	24.4	100	330	24	11	4	16	200	4000	400	250
ADO5022PA	32.4	330	330	32	6.9	4	24	200	7200	400	350
ADS5022PA	32.4	330	330	32	6.9	4	24	200	7200	400	350
ADO7032A	16.4	60	330	16	3.4	4	12	200	20400	400	1700
ADS127A	24.4	100	330	24	7.9	4	16	200	7200	400	450
ADS125A	24.4	100	330	24	6.1	4	16	200	10400	400	650
ADO43A	16.4	60	330	16	3.4	4	8	200	19200	400	2000
ADO54A	16.4	60	330	16	4.7	4	12	200	14400	400	1200
ADO75A	16.4	60	330	16	5.4	4	12	200	12000	400	1000
ADO105A	16.4	60	330	16	5.8	4	12	200	12000	400	1000
ADTISM-4	16.4	330	330	16	3.2	4	8	200	12000	400	2700
ADTISM-3	12.4	330	330	12	2.4	4	8	200	24000	400	3000
ADDLCSM-507I	24.4	100	330	24	5.9	4	12	200	12000	400	1500
ADDLCSM-581I	24.4	100	330	24	5.9	4	12	200	12000	400	900

INDUCTORS