

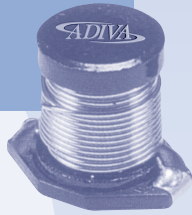
# Power Inductors

Surface Mount

ADO3340PA Series



## ADO3340PA

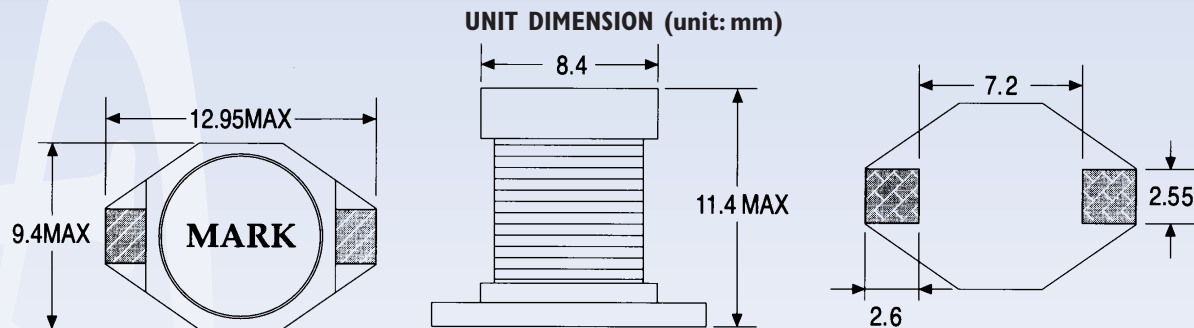


### FEATURES

- Surface mountable device.
- Low Profile.
- Excellent performance & cost effective.
- Tape & Reel for auto-placement.
- Applicable for DC-DC converter.

### BENEFITS

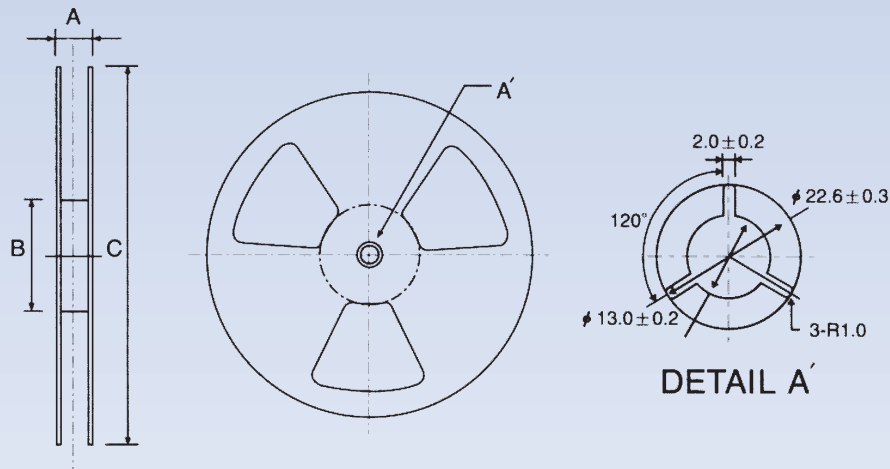
Frequency Range:	0.1 ~ 10 MHz
Inductance Range:	10 ~ 1000 uH
Tested:	100 KHz and 0.05V
Operating Temperature Range:	-40°C to +85°C
Inductance	measured by HP 4194A, impedance and gain phase analyzer.
Inductance Drop	10% at rated current

tolerance :  $\pm 0.2$ 

### STANDARD SPECIFICATIONS

PACKAGE TYPE	INDUCTANCE (uH $\pm 20\%$ )	DC RESISTANCE ( $\Omega$ ) max.	RATED CURRENT (A) max.
ADO3340PA-103 □	10	0.040	7.1
ADO3340PA-153 □	15	0.050	5.9
ADO3340PA-223 □	22	0.066	4.8
ADO3340PA-333 □	33	0.080	3.9
ADO3340PA-473 □	47	0.110	3.2
ADO3340PA-683 □	68	0.170	2.8
ADO3340PA-104 □	100	0.220	2.3
ADO3340PA-154 □	150	0.340	1.9
ADO3340PA-224 □	220	0.440	1.5
ADO3340PA-334 □	330	0.700	1.2
ADO3340PA-474 □	470	0.950	1.0
ADO3340PA-684 □	680	1.200	0.9
ADO3340PA-105 □	1000	2.000	0.8

# Tape & Reel Specifications



## SPECIFICATIONS

PACKAGE TYPE	A	B	C	D	E	F	G	H	I	J	QTY/REEL
ADO2060A	16.4	330	330	16	3.2	4	8	200	12000	400	2700
ADO1608CA	16.4	60	330	16	3	4	8	200	20000	400	2000
ADT1608CA	16.4	60	330	16	3	4	8	200	20000	400	2000
ADS1608CA	16.4	60	330	16	3	4	8	200	20000	400	2000
ADO3308PA	24.4	100	330	24	3.2	4	12	200	1800	400	1500
ADO3316PA	24.4	100	330	24	5	4	12	200	12000	400	1000
ADS3316PA	24.4	100	330	24	5	4	12	200	12000	400	1000
ADO3340PA	24.4	100	330	24	11	4	16	200	4000	400	250
ADO5022PA	32.4	330	330	32	6.9	4	24	200	7200	400	350
ADS5022PA	32.4	330	330	32	6.9	4	24	200	7200	400	350
ADO7032A	16.4	60	330	16	3.4	4	12	200	20400	400	1700
ADS127A	24.4	100	330	24	7.9	4	16	200	7200	400	450
ADS125A	24.4	100	330	24	6.1	4	16	200	10400	400	650
ADO43A	16.4	60	330	16	3.4	4	8	200	19200	400	2000
ADO54A	16.4	60	330	16	4.7	4	12	200	14400	400	1200
ADO75A	16.4	60	330	16	5.4	4	12	200	12000	400	1000
ADO105A	16.4	60	330	16	5.8	4	12	200	12000	400	1000
ADTISM-4	16.4	330	330	16	3.2	4	8	200	12000	400	2700
ADTISM-3	12.4	330	330	12	2.4	4	8	200	24000	400	3000
ADDLCSM-507I	24.4	100	330	24	5.9	4	12	200	12000	400	1500
ADDLCSM-581I	24.4	100	330	24	5.9	4	12	200	12000	400	900

XTAL

OSC

VCXO  
VCO

TCXO  
VCTCXO

FLTR

RES

IND

INDUCTORS