

# Power Inductors

Surface Mount

ADS125A Series

## ADS125A



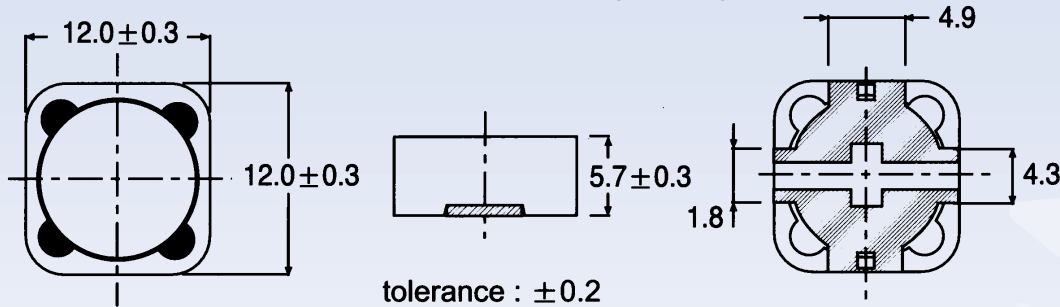
### FEATURES

- Surface mountable device.
- Low Profile.
- Excellent performance & cost effective.
- Tape & Reel for auto-placement.
- Applicable for DC-DC converter.

### BENEFITS

- Frequency Range: 1 KHz ~ 7.96 MHz  
 Inductance Range: 1.3 uH ~ 1.0 mH  
 Measuring Frequency: 1.3 ~ 7.5 uH at 7.96 MHz,  
 10 uH ~ 1.0 mH at 1 KHz  
 Operating Temperature Range: -40°C to +80°C  
 Inductance measured by HP 4194A, impedance and gain phase analyzer  
 Inductance Drop 20% at rated current

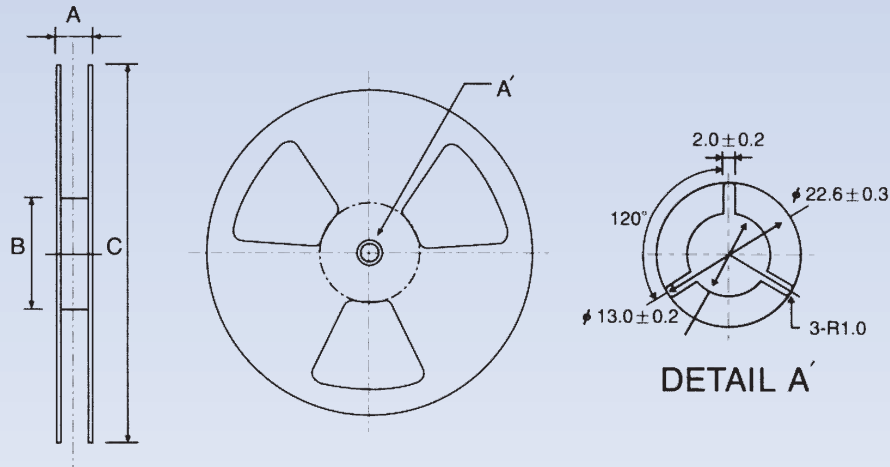
### UNIT DIMENSION (unit: mm)



### STANDARD SPECIFICATIONS

PACKAGE TYPE	INDUCTANCE (uH ±20%)	DC RESISTANCE (mΩ) max.	RATED CURRENT (A) max.
ADS125A-132 □	1.3	12.0	8.00
ADS125A-212 □	2.1	14.0	7.00
ADS125A-312 □	3.1	17.0	6.00
ADS125A-442 □	4.4	20.0	5.00
ADS125A-582 □	5.8	21.0	4.40
ADS125A-752 □	7.5	24.0	4.20
ADS125A-103 □	10	25.0	4.00
ADS125A-123 □	12	27.0	3.50
ADS125A-153 □	15	30.0	3.30
ADS125A-183 □	18	34.0	3.00
ADS125A-223 □	22	36.0	2.80
ADS125A-273 □	27	51.0	2.30
ADS125A-333 □	33	57.0	2.10
ADS125A-393 □	39	68.0	2.00
ADS125A-473 □	47	75.0	1.80
ADS125A-563 □	56	110	1.70
ADS125A-683 □	68	120	1.50
ADS125A-823 □	82	140	1.40
ADS125A-104 □	100	160	1.30
ADS125A-124 □	120	170	1.10
ADS125A-154 □	150	230	1.00
ADS125A-184 □	180	290	0.90
ADS125A-224 □	220	400	0.80
ADS125A-274 □	270	460	0.75
ADS125A-334 □	330	510	0.68
ADS125A-394 □	390	690	0.65
ADS125A-474 □	470	770	0.58
ADS125A-564 □	560	860	0.54
ADS125A-684 □	680	1200	0.48
ADS125A-824 □	820	1340	0.43
ADS125A-105 □	1000	1530	0.40

# Tape & Reel Specifications



## SPECIFICATIONS

PACKAGE TYPE	A	B	C	D	E	F	G	H	I	J	QTY/REEL
ADO2060A	16.4	330	330	16	3.2	4	8	200	12000	400	2700
ADO1608CA	16.4	60	330	16	3	4	8	200	20000	400	2000
ADT1608CA	16.4	60	330	16	3	4	8	200	20000	400	2000
ADS1608CA	16.4	60	330	16	3	4	8	200	20000	400	2000
ADO3308PA	24.4	100	330	24	3.2	4	12	200	1800	400	1500
ADO3316PA	24.4	100	330	24	5	4	12	200	12000	400	1000
ADS3316PA	24.4	100	330	24	5	4	12	200	12000	400	1000
ADO3340PA	24.4	100	330	24	11	4	16	200	4000	400	250
ADO5022PA	32.4	330	330	32	6.9	4	24	200	7200	400	350
ADS5022PA	32.4	330	330	32	6.9	4	24	200	7200	400	350
ADO7032A	16.4	60	330	16	3.4	4	12	200	20400	400	1700
ADS127A	24.4	100	330	24	7.9	4	16	200	7200	400	450
ADS125A	24.4	100	330	24	6.1	4	16	200	10400	400	650
ADO43A	16.4	60	330	16	3.4	4	8	200	19200	400	2000
ADO54A	16.4	60	330	16	4.7	4	12	200	14400	400	1200
ADO75A	16.4	60	330	16	5.4	4	12	200	12000	400	1000
ADO105A	16.4	60	330	16	5.8	4	12	200	12000	400	1000
ADTISM-4	16.4	330	330	16	3.2	4	8	200	12000	400	2700
ADTISM-3	12.4	330	330	12	2.4	4	8	200	24000	400	3000
ADDLCSM-507I	24.4	100	330	24	5.9	4	12	200	12000	400	1500
ADDLCSM-581I	24.4	100	330	24	5.9	4	12	200	12000	400	900

XTAL

OSC

VCXO  
VCO

TCXO  
VCTCXO

FLTR

RES

IND

INDUCTORS